



BAR & BEVERAGE PRICE BOOK

REFRIGERATION, UNDERBAR EQUIPMENT,
AND BEVERAGE DISPENSING SYSTEMS



2024
PRODUCTS CATALOG

PRICING EFFECTIVE 02/05/2024.
Prices subject to change without notice.



perlick.com



QUALITY AND CRAFTSMANSHIP SINCE 1917

For the past 100+ years, Perlick has been a leading pioneer in the design, engineering, and manufacture of high-performance commercial bar and beverage equipment and premium residential refrigeration. That's why you'll find the Perlick badge proudly displayed in the best bars and restaurants, at the biggest sports and entertainment venues, and in the finest homes.



COVER & INSIDE PHOTO: POTOWATOMI ROCK & BREW, MILWAUKEE, WI

TABLE OF CONTENTS

UNDERBAR EQUIPMENT

- Top Shelf Story..... 4
- Bar Design Options..... 6
- Modular Bar Systems..... 7
- Pass-thru Stations..... 8
- Underbar Cocktail Stations..... 10
- Tobin Ellis Signature Series Cocktail Station..... 11-16
- Tobin Ellis Signature Series Refrigerated Drawers..... 12
- Tobin Ellis Signature Series Ice Vault and Ice Chests..... 13
- Tobin Ellis Drainboards, Insulated Bottle Wells, Utility Sinks & Slanted Speed Racks..... 14-15
- Tobin Ellis Signature Draft Cocktail System..... 16
- Tobin Ellis Signature Series Limited Edition Mobile Bar..... 17
- Tobin Ellis Signature Series Mobile Bars, Perlick Mobile Bars & Mobile Products..... 18-19
- Perlick Mobile Tap..... 20

ICE CHESTS

- Standard Ice Chests..... 21
- Full Depth Ice Chests..... 22
- Extra Capacity Ice Chests..... 23
- Service Station..... 24
- Drop-in Ice Chest..... 25
- Ice Chest Accessories..... 25
- Insulated Storage Chest..... 26
- Ice Cream Center..... 26

SINKS & DRAINBOARDS

- Soda Gun & Filler Sections..... 27
- Perlick Drainboards & Equipment Stands..... 28-29
- Blender Stations (with accessories)..... 30
- TSS Deck Assembly (with accessories)..... 31
- Bartender Prep Sinks (with accessories)..... 32
- Hand Sinks, Dump Sinks (with accessories)..... 33
- Touchless Faucets..... 33
- Multi-tank Sinks..... 34
- Multi-tank & Extra Capacity Sinks..... 35

STORAGE BINS & CABINETS

- Storage Bins for Glassware..... 36-37
- Storage Cabinets with Full Drainboard Top..... 37
- Storage Cabinets with Sink & Waste Chute..... 37
- Doors for Storage Cabinets..... 37
- Liquor Step Cabinets & Glass Storage (with accessories)..... 38
- POS, Glass & Chemical Storage Cabinets..... 39

ADDITIONAL UNDERBAR ACCESSORIES

- Liquor Display Cabinet..... 40
- Underbar Beer Drainer..... 40
- Trash Receptacles..... 41
- Corner Filler Sections..... 42
- Speed Rails..... 43
- Drink Rail Drainers & Rinsers..... 44
- Service Station Drop-in Drainers..... 44
- Plumbing Accessories..... 45
- Towel Rings..... 45
- Leg Kits & Foot Inserts..... 45
- Connector Kits..... 45
- Wet Waste Pans..... 45
- Side Splash Guards..... 45
- Access Cutouts..... 46
- Blender Platforms..... 46
- Bottle Opener/Cap Receiver & Waste Receptacle..... 46

BACK BAR/REFRIGERATION

SELF-CONTAINED REFRIGERATED CABINETS

- Single-Temp Zone (with accessories)..... 48
- Dual-Temp Zone (with accessories)..... 50
- Low-height Single Zone Cabinets (with accessories)..... 52
- Narrow Door (with accessories)..... 54
- Sliding Door (with accessories)..... 56
- Sliding Door Pass-thru (with accessories)..... 57
- Pass-thru (with accessories)..... 58

REMOTE REFRIGERATED CABINETS

- Single-Temp Zone (with accessories)..... 60
- Low-height Single-Zone Cabinets..... 62
- Narrow Door (with accessories)..... 64
- Sliding Door (with accessories)..... 66
- Sliding Door Pass-thru (with accessories)..... 67
- Pass-thru (with accessories)..... 68
- Dispensing Kits for Back Bar Series Cabinets..... 70
- Nitro Dispensing Kits for Back Bar Series..... 71

DRY STORAGE CABINETS

- Standard Door (with accessories)..... 72
- Lighted Merchandise Displays..... 73
- Narrow Door (with accessories)..... 74
- Direct Draw Beer Dispensers..... 76
- Direct Draw Beer Dispensing Kits (DDS Series)..... 78
- Concessionaires & Beer Dispensing Kits..... 79
- Back Bar Series Accessories..... 80

WINE COLUMN REFRIGERATION

- Single & Dual Zone..... 81

COMMERCIAL UNDERCOUNTER FRONT VENTING REFRIGERATION

- 24" & 48" Refrigerator/Chiller/Wine Reserve With Tapping Options..... 82
- 24" Single Door, 18" Shallow-Depth Refrigerator/Wine Reserve..... 85
- 24" ADA Height-Compliant Refrigerator/Freezer/Beverage Center/Wine Reserve..... 86
- Glass Chillers & Accessories..... 87
- Flat Top Bottle Coolers (Standard & Low-temp)..... 88
- Bottle Cooler Accessories..... 90
- Glasswashers..... 91

MISCELLANEOUS

- Century Remote Beer Systems..... 92
- Century Factory Engineered Performance Guarantee..... 93
- Terms & Conditions..... 95
- Warranty Information..... 95
- Find a Perlick Rep..... 99



Perlick Top Shelf underbar equipment has been the preferred choice of many professional bartenders because they know properly designed bars and reliable equipment allow them to be creative, efficient, and most importantly, profitable. Top Shelf products reflect Perlick's true passion for design, craftsmanship, and innovation.

When you select any underbar equipment from the Perlick TS Series, you'll find it lives up to its "Top Shelf" name and offers exceptional value. No matter if the shape of your bar is straight, curved, round, or square, Perlick's underbar equipment is fabricated to match the contours of your bar and surpass your expectations.

TS SERIES

- The Top Shelf heritage starts with our modular line of TS equipment that allows designers to showcase their creativity by designing extremely efficient work stations
- TS Series equipment has an overall depth of 18-9/16" and comes with a 6" high backsplash (4" high-optional)
- Sinks in the **TS Series** utilize backsplash-mounted water faucets



TS SERIES

TSD SERIES

- Except for the "deck" style backsplash, the **TSD Series** of Top Shelf Underbar is identical to the TS Series
- The "D" style backsplash has a flat deck added to the back of the equipment, which adds 5-7/16" to the overall depth
- Sinks in the TSD Series utilize deck-mounted water faucets
- The deck serves multiple purposes: TS equipment with an optional speed rail has an overall depth of 24" which matches the overall depth of TSD equipment
- This creates a flush equipment front surface to eliminate those dreaded "knee knockers"
- The TSD series also moves the rear equipment legs away from the die wall, allowing clearance for beverage lines and plumbing



TSD SERIES

TSF SERIES

- The **Top Shelf Full Depth Series** of underbar uses the same 6" high straight backsplash as the TS series
- It creates a full 24" deep underbar by using larger depth work surfaces
- The TSF Series underbar increases the volume of ice chests and the useable work surface of drainboards by 34 percent
- The TSF Series has the rear equipment legs away from the die wall to allow ample room for routing plumbing and mechanicals



TSF SERIES

TSS SERIES

- An abundance of Top Shelf modules can be configured to create a multitude of unique service stations
- The **TSS Series** uses a 3" flat deck to connect back-to-back underbar modules
- These factory assembled sections create a highly efficient station so your bartenders and servers can work as a team
- TSS equipment depth can range from 38-3/16" to 49-1/16" depending on the equipment selected



TSS SERIES

PTS SERIES

- In addition to 38" deep TSS Service Station modules, the **PTS Series** offers pre-configured 32" deep pass-thru stations, which makes choosing the ultimate cocktail station a snap
- PTS Series stations are intended to be used in an open area of the bar and offer uninterrupted work surfaces for your bartenders and servers
- PTS service stations can range from 32" to 42-3/4" deep depending on the equipment selected

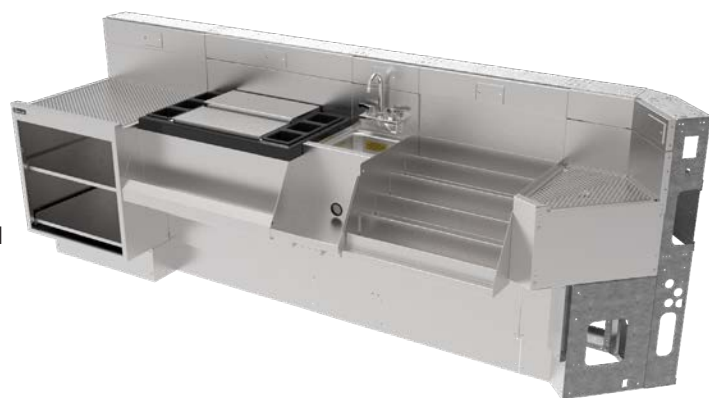


PTS SERIES

WHICH BAR DESIGN LAYOUT IS RIGHT FOR YOU?

MODULAR BAR

- If your project is new construction or a complete remodel and there is no existing bar or die wall, then a **Perlick Modular Bar** is your ultimate factory assembled solution to save both time and money.
- The Perlick Modular Bar structure includes a heavy gauge frame that creates the die wall and the equipment supports for your underbar lineup. The complete bar interior from top to bottom is furnished in stainless steel to create a smooth finished appearance. All plumbing and electrical chases are built into the structure and removable bar front panels (supplied by others) provide easy, lift-off access to service utilities and beverage lines.
- No matter if your bar is straight, round, or curved, every underbar module can be factory assembled in modular bar sections up to 8-1/2 ft. long. The Perlick Modular Bar gives you the assurance that every piece of the puzzle fits.



FACTORY ASSEMBLED UNDERBAR*

- When a bar die wall already exists or is being built by others, the Perlick factory can preassemble many of our underbar modules, per the bar drawing, into straight sections up to 8-1/2 ft. long.
- These straight sections eliminate field connections and save time. Pre-assembled sections that share a common front apron also share a common backsplash to give your bar a smooth, custom appearance.
- The factory determines the appropriate number of legs required for each pre-assembled section to give your bar the professional and uncluttered look you demand.

***Contact your Perlick representative to configure pre-assembled sections.**

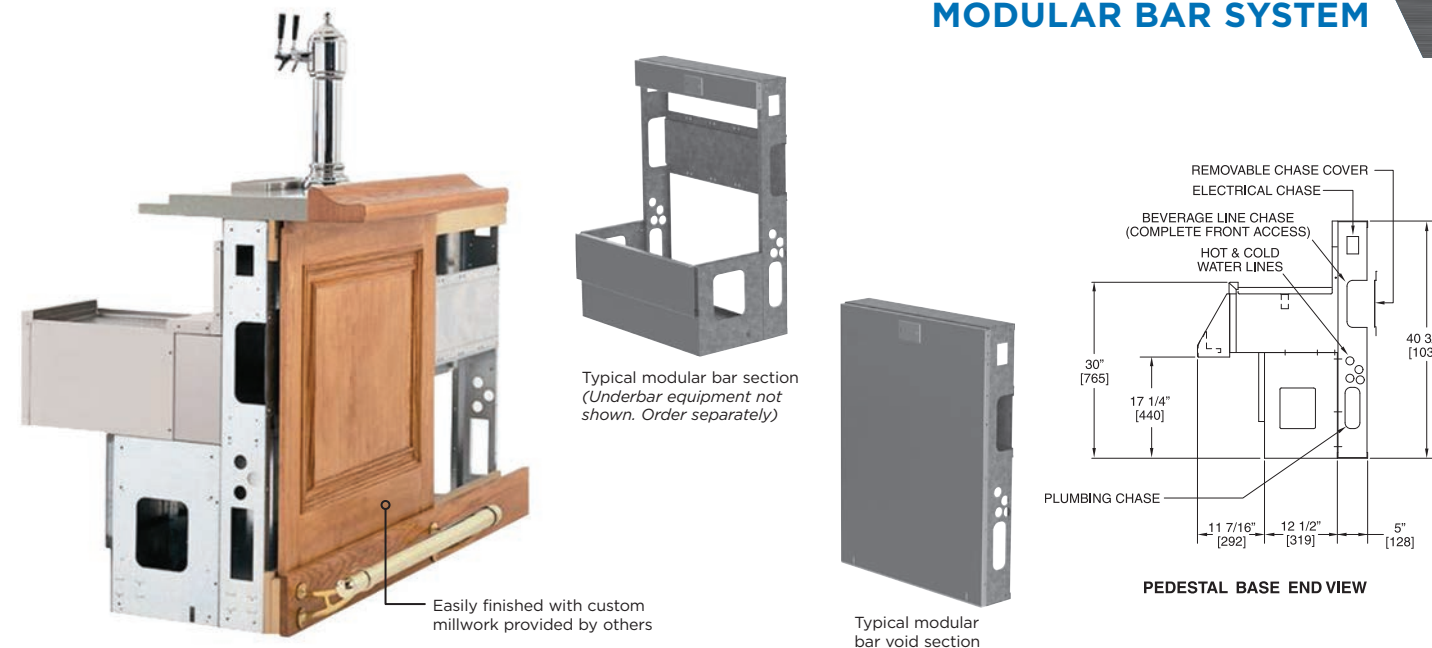


FREESTANDING UNDERBAR

- Freestanding underbar modules are built and shipped as individual pieces with their own backsplashes and front aprons.
- Each module ships with a complete set of legs.
- Freestanding units give you complete control to make last-minute design changes or respond to unforeseen obstacles at the job site.

**WARNING: California Prop 65 Notice**

These products may expose you to chemicals including Chromium, which are known to the state of California to cause cancer and birth defects or other reproductive harm. For more information on whether a product in this list contains these chemicals, please refer to the specific product page at perlick.com. Or to find out more about Prop 65, go to P65Warnings.ca.gov.



MODULAR BAR FEATURES:

- Pre-engineered sections up to 8-1/2 ft. ensure exact fit, eliminating on-site adjustments
- All metal construction conceals beverage and utility lines
- Interior finish panel is adjustable for sealing to the floor
- Set-in-place beverage line chase eliminates damage to insulated beverage lines
- Bar front panels are easily removed for quick access to all utilities and beverage lines
- Bar top and front panels can be prefabricated to reduce on-site millwork costs
- Faucets and drain sockets are factory installed
- Optional electrical outlets, fluorescent lights, and LED lights available

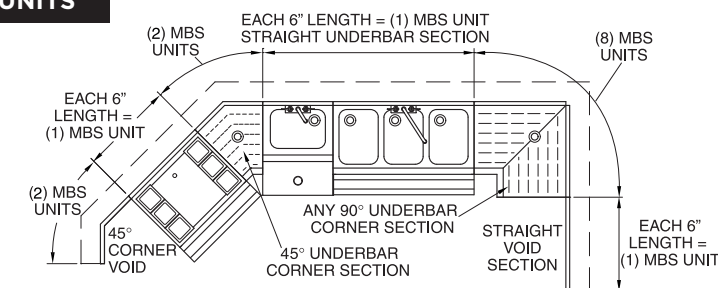
A MODULAR BAR SECTION IS PRICED USING MBS UNITS

STRAIGHT SECTIONS

- Each 6" width equals (1) MBS unit
- Example: 48" of Modular Bar structure equals (8) MBS units

CORNER SECTIONS

- 90° corner sections are priced using (8) MBS units
- 60° and 75° corner sections are priced using (4) MBS units
- 30° and 45° corner sections are priced using (2) MBS units
- 5°, 10°, 15°, 20° and 25° corner sections are priced using (1) MBS unit



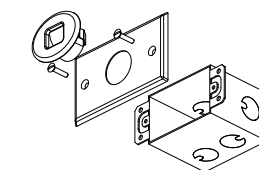
Part No	Description	Ship Wt. (lbs)	List Price
MBS	6" bar structure section	10	\$260.00 per 6"

An upcharge for non-standard heights applies. Please contact factory for pricing.

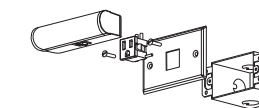
Accessories

Part No	Description	List Price
MBS-LED-CW	LED accent light kit, cool white, 24Vdc, 2.5w	\$310.00
MBS-LED-PS40	Power supply for up to 12 LED lights, converts 120Vac to 24Vdc, 40w Max	\$301.00
MBS-ERCL	Mini fluorescent light kit, 120Vac, 3.5w, 2 prong plug	\$106.00
MBS-EC	Junction box with S.S. duplex cover	\$35.00
MBS-EC-G	Gasket, duplex outlet, weatherproof, bag of 2	\$14.00
MBS-MT	Full size footprint template (printed on durable film/per ft.)	\$33.00
57420	Millwork panel clip, 3/4" offset, 24 pieces	\$38.00

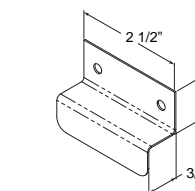
Note: Modular Bar systems are custom made and cannot be returned for credit.



MBS-LED-CW
(LED light, junction box, and cover)



MBS-ERCL
(Mini light, junction box, receptacle, and cover)



57420
(Millwork panel clip)

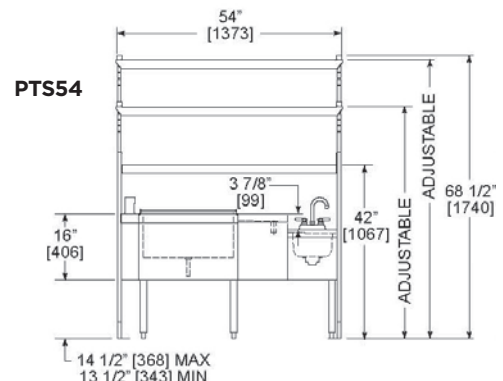
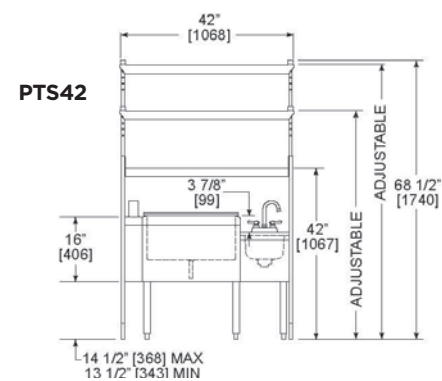


GENERAL EQUIPMENT DESCRIPTIONS:

- **Filler Section: 4-14" x 32"**
Includes 2-3/4" x 6" x 4" high stainless steel beverage chase
- **Ice Chest: 24" x 32"**
Ice capacity = 95 pounds. Includes 10 circuit cold plate and (4) bottle wells with four-piece cover
- **Dual Sink: 12" x 32"**
Each sink is 10-5/8" x 9-5/8" x 6" deep. Includes lead-free deck mount faucet with gooseneck spout and (2) wet waste boxes
- **Drainboard: 12" x 32"**
Embossed stainless steel drainboard top
- **Glasswasher: 24" x 24"**
Cycle time = 120 seconds. Chemical controls located on bartender side (not included: order separately)
- **Overshelf: Fixed: 18" x width of station**
Includes removable glass racks
- **Overshelf: Adjustable: 15" x width of station**
Includes (2) shelves with removable racks and stainless steel mounting posts
- **End Panel: 7/8" x 32" x 45" high**
Stainless steel with floor mounting brackets
- **Accessory Group:**
 - 28" Bottle rail and 28" hang-on bottle rail spanning ice chest and filler section
 - 12" Bottle rail and 12" hang-on bottle rail, only on units that include a drainboard
 - 12" Blender shelf mounted to dual sink



PTS54R



Pass-Thru Series	Filler Section	Ice Chest	Dual Sink	Drain Board	3 Tier Overshelf	End Panels	Accessory Group
PTS42	X	X	X		X	X	X
PTS54	X	X	X	X	X	X	X

42" PASS-THRU STATIONS

PTS Series

Part No.	Width	Ship Wt. (lbs)	List Price
PTS42(L/R)-LF	42"	475	\$18,985.00

*Indicate L=Left or R=Right side

54" PASS-THRU STATIONS

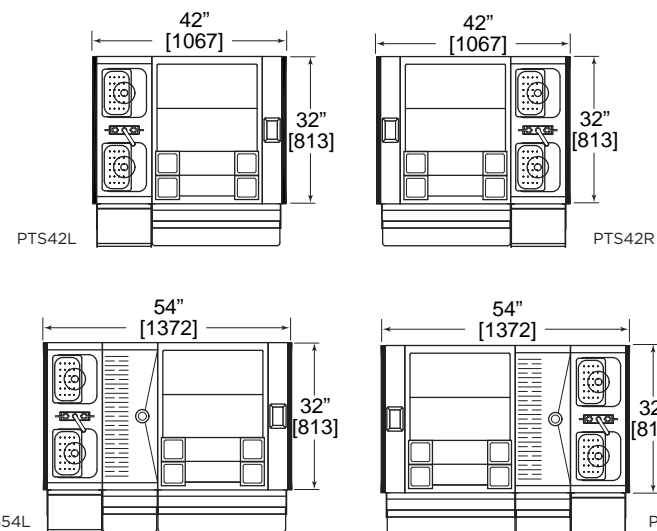
PTS Series

Part No.	Width	Ship Wt. (lbs)	List Price
PTS54(L/R)-LF	54"	575	\$22,165.00

*Indicate L=Left or R=Right side

*Glasswasher not included; order separately

Note: Pass-thru Stations are custom made and cannot be returned for credit.



GENERAL EQUIPMENT DESCRIPTIONS:

- **Filler Section: 4-14" x 32"**
Includes 2-3/4" x 6" x 4" high stainless steel beverage chase
- **Ice Chest: 24" x 32"**
Ice capacity = 95 pounds, includes 10 circuit cold plate
- **Dual Sink: 12" x 32"**
Each sink 10-5/8" x 9-5/8" x 6" deep, includes lead-free deck mount faucet w/ gooseneck spout
- **Drainboard: 12" x 32"**
Embossed stainless steel drainboard top
- **Glasswasher: 24" x 24"**
Cycle time = 120 seconds
Chemical controls located on bartender side (not included: order separately)

Please select from the following equipment groups to custom configure your Pass-Thru Station:

EQUIPMENT GROUP - Required

42"			54"		
Part No.	Ship Wt. (lbs.)	List Price	Part No.	Ship Wt. (lbs.)	List Price
PTS42L-1-LF	260	\$9,665.00	PTS54L-1-LF	310	\$11,465.00
PTS42R-1-LF	260	\$9,665.00	PTS54R-1-LF	310	\$11,465.00

Refer to illustrations on previous page for equipment configurations. Glasswasher not included; order separately.

EQUIPMENT GROUP OPTION - Required for Ice Chest

Part No.	Description	List Price
ICC-PT24	Ice Chest Three-piece Cover Assembly	\$347.00
BW-PT4-24	Ice Chest Cover Assembly with 4 Bottle Wells	\$485.00

ACCESSORY GROUP - Optional

42"			54"		
Part No.	Ship Wt. (lbs.)	List Price	Part No.	Ship Wt. (lbs.)	List Price
PTS42-2	20	\$1,330.00	PTS54-2	25	\$1,800.00

- 42" includes 12" Blender Shelf, 28" Bottle Rail, 28" Hang-on Bottle Rail, and (2) Wet Waste Boxes
- 54" includes 12" Blender Shelf, 12" & 28" Bottle Rails, 12" & 28" Hang-on Bottle Rails, and (2) Wet Waste Boxes

FIXED OVERSHELF - Optional - 18" wide shelf with removable glass racks and end panel mounting brackets.

42"			54"		
Part No.	Ship Wt. (lbs.)	List Price	Part No.	Ship Wt. (lbs.)	List Price
PTS42-3	50	\$1,655.00	PTS54-3	65	\$2,000.00

Note: Requires end panel option

END PANEL OPTION - (Set of 2) Required to Support Fixed Overshelf

Part No.	Description	Ship Wt. (lbs.)	List Price
PTS-EPL	7/8" x 32" x 45" high, customer choice of laminate over wooden core	45	\$2,790.00
PTS-EPS	7/8" x 32" x 45" high, stainless steel	45	\$2,790.00

Note: Both end panel options include stainless steel floor coving, mounting brackets

ADJUSTABLE OVERSHELF WITH MOUNTING POSTS - Optional

15" wide shelf with removable glass racks and mounting posts.

42"			54"		
Part No.	Ship Wt. (lbs.)	List Price	Part No.	Ship Wt. (lbs.)	List Price
PTS42-4	55	\$2,145.00	PTS54-4	70	\$2,480.00
PTS42-4ETP	55	\$2,415.00	PTS54-4ETP	70	\$2,750.00

Note: Requires fixed overshelf option

ADDITIONAL ADJUSTABLE OVERSHELF - Optional

42"			54"		
Part No.	Ship Wt. (lbs.)	List Price	Part No.	Ship Wt. (lbs.)	List Price
PTS42-5	45	\$1,550.00	PTS54-5	60	\$1,890.00

Note: Pass-Thru Stations (less glasswashers) are custom made and cannot be returned for credit.

(Not applicable on Modular Bar)

BARTENDER COCKTAIL STATIONS

Perlick's pre-built cocktail stations are designed to give you all the functionality a bartender needs at arm's width for more efficient drink building. Various sizes and configurations are available to fit your specific needs.

All units include the following accessories:

- Ice chest with 10 circuit cold plate
- Bottle rail (full width of ice chest)
- Bottle wells and covers for ice chest
- Condiment cup rack
- Backsplash cut-out for soda lines (located on left end of ice chest)
- End splash (located between ice chest and blender)
- Towel ring (located on blender)



UCS60A

**48" COCKTAIL STATIONS
TS Series**

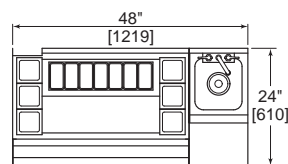
Part No.	Width	Ship Wt. (lbs.)	List Price
UCS48A-LF	48"	250	\$8,670.00
UCS48B-LF	48"	250	\$8,625.00

**60" COCKTAIL STATIONS
TS Series**

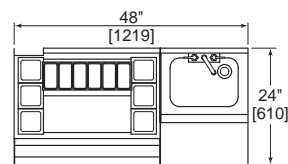
Part No.	Width	Ship Wt. (lbs.)	List Price
UCS60A-LF	60"	270	\$9,195.00
UCS60B-LF	60"	280	\$9,965.00



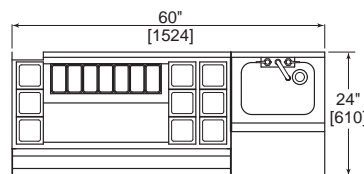
UCS48A



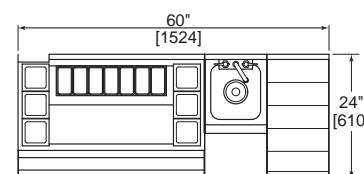
- UCS48A-LF**
- 36" Ice chest
 - 12" Blender with sink and lead-free faucet



- UCS48B-LF**
- 30" Ice chest
 - 18" Blender with sink and lead-free faucet



- UCS60A-LF**
- 42" Ice chest
 - 18" Blender with sink and lead-free faucet



- UCS60B-LF**
- 36" Ice chest
 - 12" Blender with sink and lead-free faucet
 - 12" Liquor display

Note: Cocktail stations are custom made and cannot be returned for credit.



**TOBIN ELLIS
SIGNATURE SERIES**

**BAR EQUIPMENT CONCEIVED AND
DESIGNED BY A RENOWNED BARTENDER...
AND BUILT BY PERLICK**



Featuring the World's Original Bartenders' Cockpit

TOBIN ELLIS is founder and principal of Studio Barmagic (est. 1997) and also proudly a veteran bartender of 30+ years who started his foodservice & hospitality career as a dishwasher in upstate New York. His work as an innovation specialist and hospitality generalist over the decades has spanned bar and beverage consulting, advertising and marketing, and most notably designing products, concepts, and spaces. Tobin is also a passionate advocate for the hospitality industry and maintains the Hospitality Relief Dashboard at barmagic.com that holds more than 700 relief resources for his industry. His life's work is centered around improving fellow bartenders' lives behind the wood.

Called "a shot of adrenaline" by the New York Times, Tobin was born in Silicon Valley and raised in Rochester, New York where he first made a name as a veteran high-volume bartender, 6-time national bartending champion, and world-renowned bar operations and training consultant.

Tobin's body of multi-disciplinary work has helped win a slew of accredited hospitality and design awards including a **2019 Best Bars in America Award** from Esquire Magazine and a **2015 GOOD DESIGN Award** from The Chicago Athenaeum Museum of Architecture and Design for his signature line of underbar equipment manufactured by Perlick.



**Bar Designer and World Champion
Bartender Tobin Ellis**

TOBIN ELLIS SIGNATURE SERIES BARTENDER STATION
Pre-configured Bartender Stations

Part No.	Width	Ship Wt. (lbs.)	List Price
PTE68-A	68"	300	\$18,455.00

68" Bartender Station for mod bar installation, 12" insulated bottle well, 30" cold plate ice chest, 8" slanted liquor rack, 18" utility sink, speed rail and accessories, splash mount gooseneck faucet with swing spout (67419-GN-LF), dual foot operated water valves (67420-2-LF).

PTE68-A-WF	68"	300	\$18,455.00
-------------------	------------	------------	--------------------

68" Bartender Station for on-site, conventionally framed and finished wall installation, 12" insulated bottle well, 30" cold plate ice chest, 8" slanted liquor rack, 18" utility sink, speed rail and accessories, splash mount gooseneck faucet with swing spout (934GN-LF) in lieu of foot pedal operated faucet for free-standing installation.

PTE68-B	68"	300	\$19,820.00
----------------	------------	------------	--------------------

68" Bartender Station for mod bar installation, 12" insulated bottle well, 30" cold plate ice chest, 8" slanted liquor rack, 18" utility sink, speed rail and accessories. Insulated bottle well includes soda manifold, splash mount gooseneck faucet with swing spout (67419-GN-LF), dual foot operated water valves (67420-2-LF).

PTE68-B-WF	68"	300	\$19,820.00
-------------------	------------	------------	--------------------

68" Bartender Station for on-site, conventionally framed and finished wall installation, 12" insulated bottle well, 30" cold plate ice chest, 8" slanted liquor rack, 18" utility sink, speed rail and accessories. Insulated bottle well includes soda manifold, splash mount gooseneck faucet with swing spout (934GN-LF) in lieu of foot pedal operated faucet for free-standing installation.

PTE68-C	68"	300	\$22,200.00
----------------	------------	------------	--------------------

68" Bartender Station for mod bar installation, 12" craft ice vault, 30" cold plate ice chest, 8" slanted liquor rack, 18" utility sink, speed rail and accessories. Insulated bottle well includes soda manifold, splash mount gooseneck faucet with swing spout (67419-GN-LF), dual foot operated water valves (67420-2-LF).

PTE68-C-WF	68"	300	\$22,200.00
-------------------	------------	------------	--------------------

68" Bartender Station for on-site, conventionally framed and finished wall installation, 12" craft ice vault, 30" cold plate ice chest, 8" slanted liquor rack, 18" utility sink, speed rail and accessories. Insulated bottle well includes soda manifold, splash mount gooseneck faucet with swing spout (934GN-LF) in lieu of foot pedal operated faucet for free-standing installation.

PTE80-A	80"	355	\$22,200.00
----------------	------------	------------	--------------------

80" Bartender Station for mod bar installation, (2) - 12" insulated bottle wells, manifold holder, 30" cold plate ice chest, 8" slanted liquor rack, 18" utility sink, speed rail and accessories, splash mount gooseneck faucet with swing spout (67419-GN-LF), dual foot operated water valves (67420-2-LF).

PTE80-A-WF	80"	355	\$22,200.00
-------------------	------------	------------	--------------------

80" Bartender Station for on-site, conventionally framed and finished wall installation, (2) - 12" insulated bottle wells, manifold holder, 30" cold plate ice chest, 8" slanted liquor rack, 18" utility sink, speed rail and accessories, splash mount gooseneck faucet with swing spout (934GN-LF) in lieu of foot pedal operated faucet for free-standing installation.

TOBIN ELLIS SIGNATURE SERIES FRONT-FACING REFRIGERATED DRAWERS

Part No.	Description	Width	List Price
BBS36C	Bartender station refrigerated drawer cabinet: self contained, 2 drawers with dividers, solid stainless steel, drainboard top with 4 glass racks	36"	\$11,401.00

See page 80 for leg and anti-tip caster options.

ACCESSORIES - Refrigerated Drawer Cabinet

Part No.	Description	List Price
BBC-GR	Garnish/ingredient rack for combination of ninth size pans	\$1,356.00
BBC-P9	Pan, ninth-size (6-15/16" x 4-1/4"), stainless steel	\$75.00
BBC-CB	Cutting board, white, 17" x 13" x 1/2", with handle hole and drip channel	\$141.00

BBS36C EXTENDED WARRANTY

Part No.	Description	List Price
730	Second year extended parts and labor warranty	\$500.00



PTE68-A-WF

BBS36C Refrigerated Drawers sold separately



Top drawer open with storage compartments and cutting board



Sink with drainer closeup, bottle wells and speed rail compartments



Drainboard top with optional BBS-CB cutting board



BBS36C



Two drawers shown with dividers

eco friendly
R290 Hydrocarbon Refrigerant

TOBIN ELLIS SIGNATURE SERIES ICE VAULT

Designed by Tobin Ellis to integrate into the Tobin Ellis Signature Series Perlick Cocktail Station, the station is maximizes speed and profitability for bartenders and bar owners. Rear vault compartment safely stores up to 48 large format cubes within reach of the bartender. VariChill™ adjustable temperature damper allows you to adjust the temperature in the front vault for storage of juices, spirits, vermouths, or any other bottled ingredient. Triple action lid allows for quick, no-look access to the rear freezer compartment. Slide back for quick access then lift to fold the lid back so it remains in the open position.

Part No.	Description	List Price
ISC12-4	Ice Vault - 4in backsplash freestanding	\$7,700.00
ISC12-6	Ice Vault - 6in backsplash freestanding	\$7,700.00
ISC12-MB	Ice Vault - modular bar	\$7,700.00

ACCESSORIES - Tobin Ellis Ice Vault

Part No.	Description	List Price
1026867	Ice tempering kit (required per NSF)	no charge

TOBIN ELLIS SIGNATURE SERIES COCKTAIL STATION - ICE CHESTS (17" Depth)

Part No.	Description	Ice Cap. (lbs.)	Width	Ship Wt. (lbs.)	List Price
TSC24IC	Ice chest, no cold plate, 24"	50	24"	60	\$2,315.00
TSC30IC	Ice chest, no cold plate 30"	64	30"	70	\$5,570.00
TSC36IC	Ice chest, no cold plate, 36"	78	36"	80	\$2,575.00
TSC42IC	Ice chest, no cold plate, 42"	92	42"	90	\$5,820.00
TSC24IC10	Ice chest, with cold plate, 24"	50	24"	130	\$2,830.00
TSC30IC10	Ice chest, with cold plate, 30"	64	30"	140	\$6,080.00
TSC36IC10	Ice chest with cold plate, 36"	78	36"	150	\$3,085.00
TSC42IC10	Ice chest, with cold plate, 42"	92	42"	160	\$6,335.00

ACCESSORIES - Tobin Ellis Ice Chest Covers

Part No.	Description	List Price
ICC-C24	Covers, 3 piece, sliding, 24"	\$402.00
ICC-C30	Covers, 3 piece, sliding, 30"	\$470.00
ICC-C36	Covers, 3 piece, sliding, 36"	\$522.00
ICC-C42	Covers, 3 piece, sliding, 42"	\$584.00

ACCESSORIES - Tobin Ellis Ice Chest Dividers*

Part No.	Description	List Price
ICC-TSC	Ice divider, cocktail station ice chests	\$140.00

*Cocktail Station ice chests can be divided in half, thirds, or quarters. Note: 24" ice chest can only be divided in half.

TOBIN ELLIS SIGNATURE SERIES COCKTAIL STATION - Speed Rails

Designed to work exclusively with Tobin Ellis Signature Cocktail Station Modules.

Part No.	Description	Width	List Price
SRC-CL	Speed rail, curved, left end	12"	\$817.00
SRC-CR	Speed rail, curved, right end	12"	\$817.00
SRC-S12	12" Straight speed rail	12"	\$369.00
SRC-S18	18" Straight speed rail	18"	\$397.00
SRC-S24	24" Straight speed rail	24"	\$431.00
SRC-S30	30" Straight speed rail	30"	\$459.00
SRC-S36	36" Straight speed rail	36"	\$494.00
SRC-S42	42" Straight speed rail	42"	\$522.00
SRC-S48	48" Straight speed rail	48"	\$550.00



ISC12-6



1026867



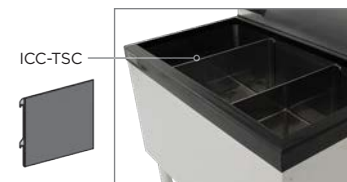
ISC12-6 Top view shown with Ice Tempering Kit



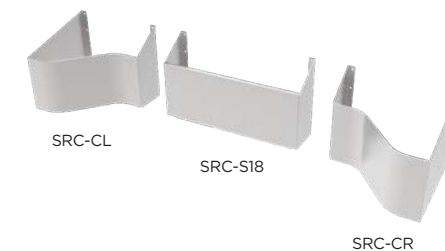
TSC24IC10 Shown with optional ice covers



ICC-C24



ICC-TSC



SRC-CL

SRC-S18

SRC-CR

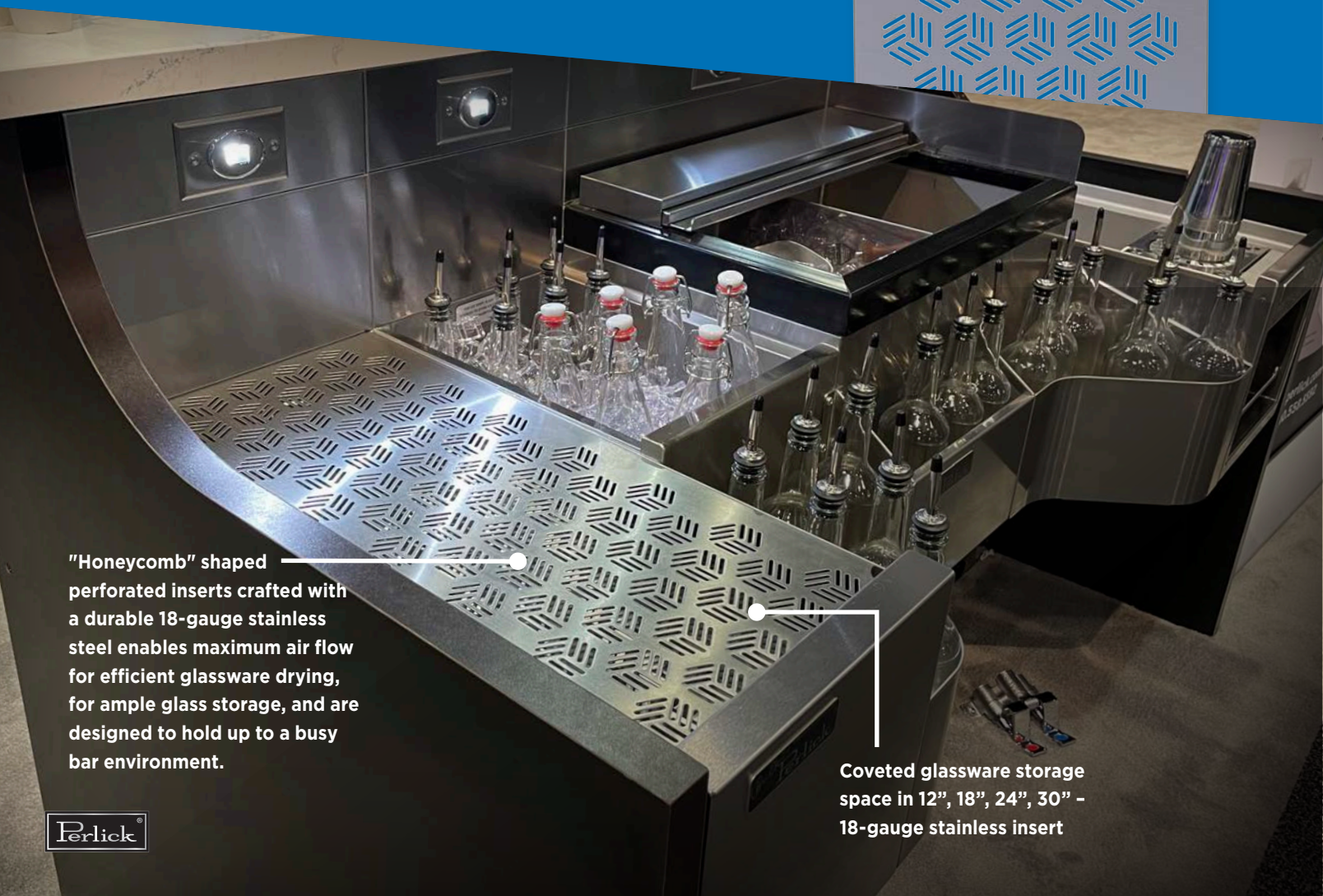
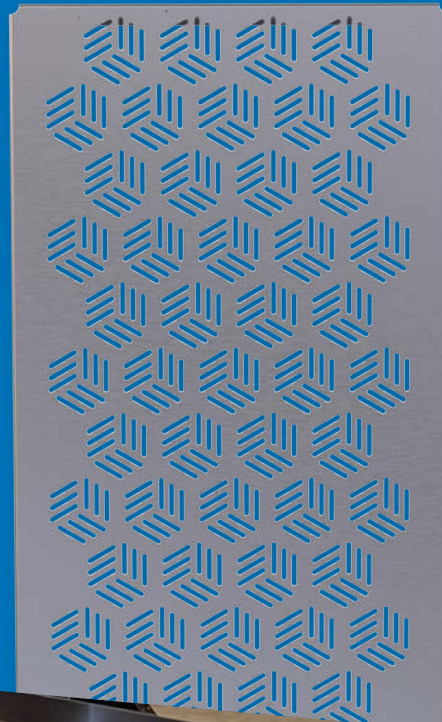
WARNING: California Prop 65 Notice
See page 6 for details.

NEW Tobin Ellis Signature Series Drainboards

The **NEW Tobin Ellis Signature Series Drainboards** elevate the conventional drainboard design by offering additional surface area for glass storage. With "honeycomb" shaped 18-gauge stainless steel perforated inserts, they ensure optimal air flow, leading to efficient drainage.

The outcome? Maximum air circulation beneath the glass, facilitating a speedy, effective, and thorough drying process.

**DESIGNED BY A BARTENDER
FOR BARTENDERS**



"Honeycomb" shaped perforated inserts crafted with a durable 18-gauge stainless steel enables maximum air flow for efficient glassware drying, for ample glass storage, and are designed to hold up to a busy bar environment.

Coveted glassware storage space in 12", 18", 24", 30" - 18-gauge stainless insert



NEW TOBIN ELLIS SIGNATURE SERIES COCKTAIL STATION Drainboards with Glass Rack

Part No.	Description	Width	Ship Wt. (lbs.)	List Price
TSCE12DB	12" Drainboard with glass rack insert	12"	35	\$1,760.00
TSCE18DB	18" Drainboard with glass rack insert	18"	40	\$2,000.00
TSCE24DB	24" Drainboard with glass rack insert	24"	45	\$2,160.00
TSCE30DB	30" Drainboard with glass rack insert	30"	50	\$2,440.00



TOBIN ELLIS SIGNATURE SERIES COCKTAIL STATION Insulated Bottle Well

Part No.	Description	Width	Ship Wt. (lbs.)	List Price
TSC12IBW	Insulated bottle well, 12" (17" depth)	12"	35	\$1,800.00
TSC12IBW-MH	Insulated bottle well, with manifold housing, 12" (17" depth)	12"	50	\$3,180.00
TSCE12IBW	Insulated bottle well, extended depth, 12" (27-1/2" depth)	12"	55	\$2,105.00

*Soda gun sold separately

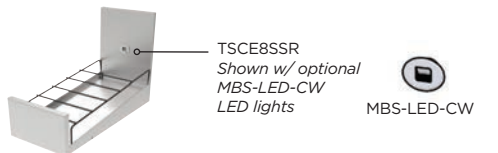


TOBIN ELLIS SIGNATURE SERIES COCKTAIL STATION Slanted Speed Rack (27-1/2" Depth)

Part No.	Description	Width	Ship Wt. (lbs.)	List Price
TSCE8SSR	8" Liquor step	8"	35	\$1,590.00
TSCE12SSR	12" Liquor step	12"	40	\$1,790.00
TSCE8SSR-BP	8" Liquor step with blender platform	8"	35	\$2,130.00
TSCE12SSR-BP	12" Liquor step with blender platform	12"	40	\$2,310.00

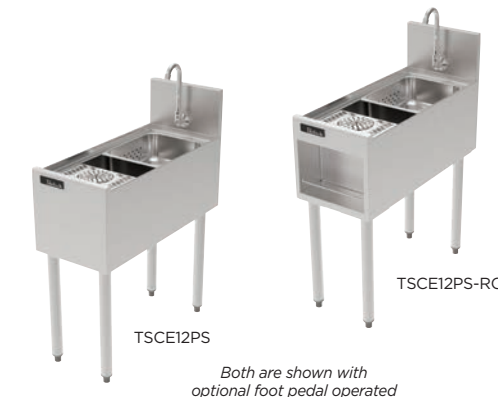
ACCESSORIES - Slanted Speed Rack

Part No.	Description	List Price
MBS-LED-CW	LED accent light, cool white, 24VDC, 2.5W	\$310.00
MBS-LED-PS40	Power supply for up to 12 LED lights, converts 120VAC to 25VDC, 40W maximum	\$301.00



TOBIN ELLIS SIGNATURE SERIES COCKTAIL STATION 12" Utility Sinks with Glass Rinser (27-1/2" Depth)

Part No.	Description	Width	Ship Wt. (lbs.)	List Price
TSCE12PS	Cocktail station 12" prep sinks with glass rinser	12"	50	\$3,870.00
TSCE12PS-RC	Cocktail station 12" prep sinks with glass rinser, 12" with recessed cubby	12"	50	\$4,475.00



Both are shown with optional foot pedal operated

TOBIN ELLIS SIGNATURE SERIES COCKTAIL STATION 18" Utility Sink with Glass Rinser and Tool Caddy (27-1/2" Depth)

Part No.	Description	Width	Ship Wt. (lbs.)	List Price
TSCE18PSTC	Utility sink with glass rinser and tool caddy, 18"	18"	60	\$5,500.00
TSCE18PSTC-RC	Utility sink with glass rinser and tool caddy, 18" with recessed cubby	18"	60	\$6,105.00

ACCESSORIES - Rinse Sink

Part No.	Description	List Price
67419-GN-LF*#	Swing spout, gooseneck, wall mount	\$189.00
67419-6W-LF*#	Swing spout, 6", wall mount	\$170.00
67420-2-LF	Water valve, dual pedal, foot operated, 1/2" NPT	\$375.00
934GN-LF	Front loading, wall/splash mount, lead-free faucet with gooseneck spout	\$573.00
934-6LF	Front loading, wall/splash mount, lead-free faucet with 6" swing spout	\$568.00
7055-47	Wet waste basket, stainless steel	\$174.00



* For use with foot operated water valve. # Faucet connection extends 1" beyond back of cabinet. OK on Modular Bar.

WARNING: California Prop 65 Notice
See page 6 for details.

800.558.5592 • info@perlick.com • perlick.com



TOBIN ELLIS SIGNATURE SERIES DRAFT COCKTAIL SYSTEM COMPONENTS

- NSF certified circulating pump maintains a thorough blend of beverage ingredients without over-agitating
- Programmable timer allows for intermittent mixing to precisely and automatically control circulation
- In-line mesh filter prevents pulp and other ingredients from entering pump
- Choose from 5- and 10-gallon circulating cocktail kegs or select from 5-gallon and 2.5-gallon standard non-circulating kegs for cocktails that do not require stirring



DRAFT COCKTAIL DISPENSING KITS

Order one kit for each keg being dispensed. Circulating cocktail pump must be mounted outside of the direct draw cabinet.



Part No.	Description	List Price
KCTCDD-X	Tobin Ellis Direct Draw Cocktail Dispensing kit	\$900.00

Kit includes:

Part No.	Description
KCP-X	Circulating cocktail pump
KPCPC	Pump parts bag including in-line filter and timer
	Gas and beverage tubing
	Mounting brackets and hardware for cocktail pump

*Circulating Cocktail Kegs ordered separately

NON-CIRCULATING COCKTAIL KEGS

Part No.	Description	List Price
CC5NAT	5 gallon, standard non-circulating cocktail keg	\$409.00
CC2.5NAT	2.5 gallon standard non-circulating keg	\$381.00
CCTCK	Parts bag for non-circulating cocktail keg	\$355.00

CIRCULATING COCKTAIL KEGS

Part No.	Description	List Price
KC5	Tobin Ellis 5 gallon, circulating cocktail keg	\$1,224.00
KC10	Tobin Ellis 10 gallon, circulating cocktail keg	\$1,343.00

CIRCULATING DRAFT COCKTAIL COMPONENTS

Part No.	Description	List Price
KCP-X*	Tobin Ellis circulating pump for cocktail keg	\$401.00
KPCPC*	Tobin Ellis circulating pump connection kit cocktail keg	\$175.00

*Included in KCTCLD-X

ADDITIONAL ACCESSORIES

Part No.	Description	List Price
KCNT	Nitrogen cylinder, alum., 244 cu/in internal volume	\$357.00
2925C	Primary regulator for N2, twin gauge	\$274.00
2928F	Primary regulator for CO2, twin gauge	\$230.00
KPCS	Tobin Ellis pulp strainer for kegging cocktail mixture	\$224.00

Towers are ordered separately. Draft Cocktail System compatible with all towers containing 304 stainless steel shanks.



TOBIN ELLIS SIGNATURE SERIES LIMITED EDITION MOBILE BAR

Designed by Tobin Ellis especially for high-volume, upscale venues, this mobile cockpit features a custom, high-performance solid surface "cockpit bar counter" with an 8" deep workboard and additional ergonomic features for greater bartender comfort, all wrapped in luxurious, eco-friendly toffee crocodile recycled leather.

All Perlick Tobin Ellis Signature Series Limited Edition Mobile Bars include:

- Luxury finishing with eco-friendly recycled leather in Toffee Crocodile selected especially for upscale environments
- Extra large inlaid 8" deep 14-gauge stainless steel perforated workboard with a custom Antique Copper PVD finish keep bar top clean and dry
- Smooth, rounded edges and corners for added bartender comfort
- Durable, solid surface Vanilla Sugar finish bar top
- Optimized to an ideal height for all bartenders to increase speed and reduce repetitive stress injuries
- Double drainboard design for maximum flexibility
- Holds up to 27 liters, 36 pieces of glassware, 40 cans or bottles of soda, 3 types of ice, and more, depending on setup
- Puts bartender at center for true zero-step bartending



MOBS-66LE

TOBIN ELLIS SIGNATURE SERIES LIMITED EDITION MOBILE BAR

Part No.	Description	List Price
MOBS-66LE	Mobile bar, 66"	\$37,780.00



Eco-friendly toffee crocodile recycled leather



MOBS-66LE Front view



TOBIN ELLIS SIGNATURE SERIES MOBILE BARS

Perlick's Signature Series Mobile Bars utilize the Tobin Ellis zero-step bartending cockpit design for efficiency, which means more drinks poured in less time, resulting in greater profits and less bartender fatigue. Easily move the bar anywhere inside or outside of your venue for design and operational flexibility. Utilize one or several units to create multiple cocktail stations.

All Tobin Ellis Signature Series Mobile Bars include:

- Tobin Ellis Signature Series Bartenders' Cockpit for increased efficiency and revenue
- Laminate, stainless steel, or engineered solid surface bar top options
- Laminate exterior offered in multiple colors
- Locking 5" 304 stainless steel casters, for corrosion resistance, with polyurethane tread
- Lower storage area for glass racks, dry goods, and canned or bottled beverages
- LED bartender task lighting for operating in the evening and low light settings
- Ice melt drainage tank

TOBIN ELLIS SIGNATURE SERIES MOBILE BARS

Part No.	Description	List Price
MOBS-42TE	Mobile bar, 42"	\$16,925.00
	Exterior vinyl graphics option	\$2,335.00
	Stainless steel top	\$760.00
	Engineered solid surface top	\$4,610.00
MOBS-66TE	Mobile bar, 66"	\$24,415.00
	Exterior vinyl graphics option	\$3,520.00
	Stainless steel top	\$925.00
	Engineered solid surface top	\$5,105.00
MOBS-66TE-S	Mobile bar, 66" with handwashing sink	\$29,695.00
	Exterior vinyl graphics option	\$3,520.00
	Stainless steel top	\$925.00
	Engineered solid surface top	\$5,105.00



MOBS-42TE



MOBS-66TE



MOBS-66TE-S



PERLICK MOBILE BARS

Designed by Tobin Ellis

Perlick Mobile Bars are an economical solution to your mobile bar needs. Easily move the bar anywhere inside or outside your venue for design and operational flexibility.

All Perlick Mobile Bars include:

- Laminate, stainless steel, or engineered solid surface bar top options
- Laminate exterior offered in multiple colors
- Locking 5" 304 stainless steel casters, for corrosion resistance, with polyurethane tread
- Ice melt drainage tank
- Lower storage area for glass racks, dry goods, and canned or bottled beverages
- LED bartender task lighting for operating in the evening and low light settings

PERLICK MOBILE BARS

Part No.	Description	List Price
MOBS-42TS	Mobile bar, 42"	\$14,760.00
	Exterior vinyl graphics option	\$2,335.00
	Stainless steel top	\$760.00
	Engineered solid surface top	\$4,610.00
MOBS-66TS	Mobile bar, 66"	\$20,390.00
	Exterior vinyl graphics option	\$3,520.00
	Stainless steel top	\$925.00
	Engineered solid surface top	\$5,105.00
MOBS-66TS-S	Mobile bar, 66" with handwashing sink	\$25,800.00
	Exterior vinyl graphics option	\$3,520.00
	Stainless steel top	\$925.00
	Engineered solid surface top	\$5,105.00



MOBS-42TS



MOBS-66TS



MOBS-66TS-S

TOBIN ELLIS SIGNATURE SERIES MOBILE REFRIGERATION

Part No.	Description	List Price
MOBS-BBS36C	Mobile BBS36C Refrigeration	\$18,435.00

PERLICK MOBILE CARTS

Part No.	Description	List Price
MOBS-24DSC	Mobile cart, 24" drainboard storage cabinet	\$11,625.00
	Exterior vinyl graphics option	\$1,485.00
	Stainless steel top	\$680.00
	Engineered solid surface top	\$3,200.00



MOBS-BBS36C



MOBS-24DSC

CUSTOMIZATION

Tobin Ellis Signature Series Mobile Bars, Perlick Mobile Bars, and the Tobin Ellis Signature Series Refrigerated Drawers, and the Perlick Drainboard Cabinet are available in a variety of finishes to match your room's decor. The Perlick Mobile Refrigeration does not feature bar top options.

For more details, refer to the product spec sheets or visit Perlick.com.

LAMINATE EXTERIOR OPTIONS

- | | |
|--------------|------------------|
| Black | Gray Sand |
| Pewter Brush | Ebony Wood |
| Beige Suede | Amber Maple |
| Maple | Mahogany |
| Red Maple | Victorian Cherry |

Note: Custom vinyl wrap graphics available (must call Perlick for quote and ordering process)

BAR TOP OPTIONS

- | | |
|-----------------|------------------|
| Standard | Gray Sand |
| Black | Ebony Wood |
| Pewter Brush | Amber Maple |
| Beige Suede | Mahogany |
| Maple | Victorian Cherry |
| Red Maple | |

Engineered Solid Surface

- | | |
|--------------|-----------------|
| White Quartz | Allspice Quartz |
| Black Pearl | |

Stainless Steel

PERLICK MOBILE TAP

Superior dispensing equipment paired with premium, commercial-grade refrigeration offers the ultimate combination for a durable and reliable system you can trust to deliver the perfect pour.

- Two-faucet draft arm dispenses the following combinations of beverages:
 - Nitro and cold brew coffee or wine
 - Beer and wine
 - Two varieties of wine
 - Two varieties of beer
- Kit includes a 24" refrigeration unit, two-faucet draft arm, all dispensing equipment, and casters for ease of mobility
- Forced-air refrigeration technology ensures consistent temperature throughout the entire keg and tower, maintaining flavor and minimizing foam
- Quick disconnect kegs included with HC24RS4S-GO-SLFLT
- Includes two low profile couplers (HC24RS4S-GO-SLFLT includes one coupler and two sets of quick disconnects with kegs)
- Large, easy-to-move casters offer flexibility to move the dispensing unit where needed, optimizing profits
- Locking refrigeration door prevents tampering with components and beverages inside the unit
- NSF certified



HC24RS4S-HO-SLFLT
HC24RS4S-IO-SLFLT
HC24RS4S-JO-SLFLT



HC24RS4S-GO-SLFLT
Inside view of nitro/cold brew coffee or wine Mobile Tap



HC24RS4S-HO-SLFLT



Two-faucet draft arm included

Casters for ease of mobility

PERLICK MOBILE TAP

Part No.	Description	List Price
HC24RS4S-GO-SLFLT	Kit, mobile tap, commercial, nitro and kegged wine or cold brew coffee, 2 faucet	\$11,970.00
HC24RS4S-HO-SLFLT	Kit, mobile tap, commercial, kegged wine and kegged wine, 2 faucet	\$10,450.00
HC24RS4S-IO-SLFLT	Kit, mobile tap, commercial, domestic beer and kegged wine, 2 faucet	\$10,250.00
HC24RS4S-JO-SLFLT	Kit, mobile tap, commercial, domestic beer and domestic beer, 2 faucet	\$9,850.00



WARNING: California Prop 65 Notice
See page 6 for details.

STANDARD ICE CHESTS

TS Series		TSD Series		TSS Series		Ice Cap. (lbs.)	Ship Wt. (lbs.)	No. of Cold Plate Circuits
Part No.	List Price	Part No.	List Price	Part No.	List Price			

18" Width

TS18IC	\$1,650.00	TSD18IC	\$1,735.00	N/A		35	50	N/A
--------	------------	---------	------------	-----	--	----	----	-----

Accessories for 18" Ice Chests

Part No.	Description	List Price
ICC18	Front and back covers	\$188.00
BW3-18	3 plastic bottle wells, front and back covers	\$353.00
BW9-18	9 plastic bottle wells, no covers	\$289.00

24" Width

TS24IC	\$1,855.00	TSD24IC	\$1,965.00	N/A		50	60	0
TS24IC10	\$4,440.00	TSD24IC10	\$4,555.00	TSS24IC10	\$4,800.00			

Accessories for 24" Ice Chests

Part No.	Description	List Price
ICC24	Front and back covers	\$248.00
BW3-24	3 plastic bottle wells, front and back covers	\$393.00
BW6-24	3 plastic bottle wells, front and back covers, 3 plastic bottle wells	\$454.00
BW6A-24	6 plastic bottle wells, front and back covers	\$449.00

30" Width

TS30IC	\$2,055.00	TSD30IC	\$2,200.00	N/A		70	70	N/A
TS30IC10	\$4,640.00	TSD30IC10	\$4,785.00	TSS30IC10	\$5,100.00			

Accessories for 30" Ice Chests

Part No.	Description	List Price
ICC30	Front and back covers	\$285.00
BW3-30	3 plastic bottle wells, front and back covers	\$433.00
BW6-30	3 plastic bottle wells, front and back covers, 3 plastic bottle wells	\$494.00
BW6A-30	6 plastic bottle wells, front and back covers	\$488.00
BW9-30	3 plastic bottle wells, front and back covers, 6 plastic bottle wells	\$511.00

36" Width

TS36IC	\$2,255.00	TSD36IC	\$2,430.00	N/A		85	80	N/A
TS36IC10	\$4,845.00	TSD36IC10	\$5,015.00	N/A				

Accessories for 36" Ice Chests

Part No.	Description	List Price
ICC36	Front and back covers	\$302.00
BW3-36	3 plastic bottle wells, front and back covers	\$466.00
BW6-36	3 plastic bottle wells, front and back covers, 3 plastic bottle wells	\$550.00
BW6A-36	6 plastic bottle wells, front and back covers	\$556.00
BW9-36	3 plastic bottle wells, front and back covers, 6 plastic bottle wells	\$545.00

42" Width

TS42IC	\$2,455.00	TSD42IC	\$2,665.00	N/A		100	90	N/A
TS42IC10	\$5,045.00	TSD42IC10	\$5,250.00	N/A				

Accessories for 42" Ice Chests

Part No.	Description	List Price
ICC42	Front and back covers	\$342.00
BW3-42	3 plastic bottle wells, front and back covers	\$506.00
BW6-42	3 plastic bottle wells, front and back covers, 3 plastic bottle wells	\$573.00
BW6A-42	6 plastic bottle wells, front and back covers	\$561.00
BW9-42	3 plastic bottle wells, front and back covers, 6 plastic bottle wells	\$584.00

48" Width

TS48IC	\$2,665.00	TSD48IC	\$2,880.00	N/A		115	100	N/A
TS48IC10	\$5,250.00	TSD48IC10	\$5,480.00	N/A				

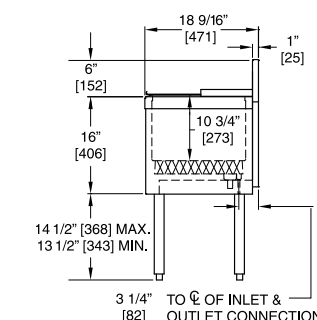
Accessories for 48" Ice Chests

Part No.	Description	List Price
ICC48	Front and back covers	\$376.00
BW3-48	3 plastic bottle wells, front and back covers	\$545.00
BW6-48	3 plastic bottle wells, front and back covers, 3 plastic bottle wells	\$584.00
BW6A-48	6 plastic bottle wells, front and back covers	\$600.00
BW9-48	3 plastic bottle wells, front and back covers, 6 plastic bottle wells	\$623.00

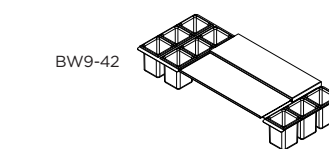
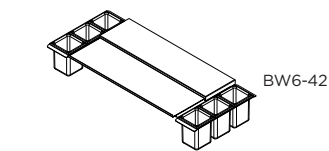
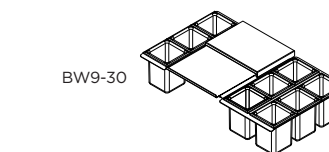
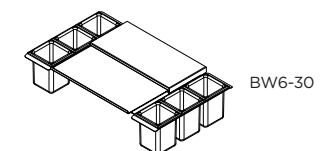
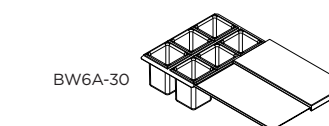
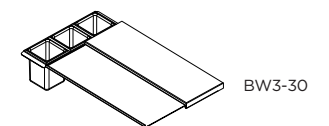
Note: All cold plate ice chests are 10 circuit



TS30IC10
Shown with cover and optional soda chase cutout



End View Standard Ice Chest



FULL DEPTH ICE CHESTS

TSF Series	Ice Cap. (lbs.)	Ship Wt. (lbs.)	No. of Cold Plate Circuits	List Price
18" Width				
TSF18IC	45	60	N/A	\$1,935.00
TSF18IC10	45	130	10	\$4,540.00

Accessories for TSF18 Ice Chests

Part No.	Description	List Price
ICC-F18	Front and back covers	\$222.00
BWF4-18	4 plastic bottle wells, front and back covers	\$410.00

24" Width				
TSF24IC	65	70	N/A	\$2,135.00
TSF24IC10	65	140	10	\$4,745.00

Accessories for TSF24 Ice Chests

Part No.	Description	List Price
ICC-F24	Front and back covers	\$259.00
BWF4-24	4 plastic bottle wells, front and back covers	\$449.00
BWF8-24	4 plastic bottle wells, front and back covers, 4 plastic bottle wells	\$488.00

30" Width				
TSF30IC	85	80	N/A	\$2,345.00
TSF30IC10	85	150	10	\$4,945.00

Accessory Covers and Bottle Wells for TCF30 Ice Chests

Part No.	Description	List Price
ICC-F30	Front and back covers	\$296.00
BWF4-30	4 plastic bottle wells, front and back covers	\$483.00
BWF8-30	4 plastic bottle wells, front and back covers, 4 plastic bottle wells	\$527.00

36" Width				
TSF36IC	105	90	N/A	\$2,545.00
TSF36IC10	105	160	10	\$5,150.00

Accessories for TSF36 Ice Chests

Part No.	Description	List Price
ICC-F36	Front and back covers	\$348.00
BWF4-36	4 plastic bottle wells, front and back covers	\$522.00
BWF8-36	4 plastic bottle wells, front and back covers, 4 plastic bottle wells	\$561.00

42" Width				
TSF42IC	125	100	N/A	\$2,745.00
TSF42IC10	125	170	10	\$5,335.00

Accessories for TSF42 Ice Chests

Part No.	Description	List Price
ICC-F42	Front and back covers	\$365.00
BWF4-42	4 plastic bottle wells, front and back covers	\$561.00
BWF8-42	4 plastic bottle wells, front and back covers, 4 plastic bottle wells	\$600.00

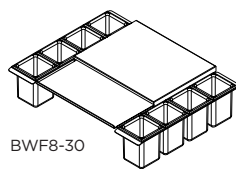
48" Width				
TSF48IC	145	110	N/A	\$2,945.00
TSF48IC10	145	180	10	\$5,550.00

Accessories for TSF48 Ice Chests

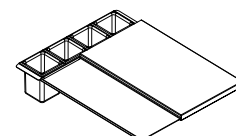
Part No.	Description	List Price
ICC-F48	Front and back covers	\$404.00
BWF4-48	4 plastic bottle wells, front and back covers	\$595.00
BWF8-48	4 plastic bottle wells, front and back covers, 4 plastic bottle wells	\$640.00



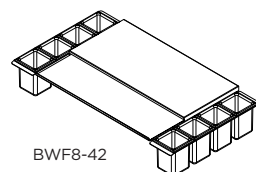
TSF24IC10



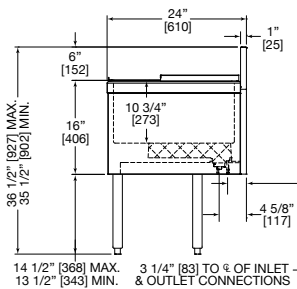
BWF8-30



BWF4-30



BWF8-42



End View TSF Ice Chest

EXTRA CAPACITY ICE CHESTS

TS Series	TS Series List Price	TSD Series	TSD Series List Price	Ice Cap. (lbs.)	Ship Wt. (lbs.)	No. of Cold Plate Circuits
24" Width						
TS24IC-EC	\$2,230.00	TSD24IC-EC	\$2,345.00	75	100	N/A
TS24IC-EC10	\$4,815.00	TSD24IC-EC10	\$4,930.00	75	170	10

Accessories for 24" Ice Chests

Part No.	Description	List Price
ICC24	Front and back covers	\$248.00
BW3-24	3 plastic bottle wells, front and back covers	\$393.00
BW6-24	3 plastic bottle wells, front and back covers, 3 plastic bottle wells	\$454.00
BW6A-24	6 plastic bottle wells, front and back covers	\$449.00

30" Width						
TS30IC-EC	\$2,455.00	TSD30IC-EC	\$2,705.00	95	110	N/A
TS30IC-EC10	\$5,055.00	TSD30IC-EC10	\$5,200.00	95	180	10

Accessories for 30" Ice Chests

Part No.	Description	List Price
ICC30	Front and back covers	\$285.00
BW3-30	3 plastic bottle wells, front and back covers	\$433.00
BW6-30	3 plastic bottle wells, front and back covers, 3 plastic bottle wells	\$494.00
BW6A-30	6 plastic bottle wells, front and back covers	\$488.00
BW9-30	3 plastic bottle wells, front and back covers, 6 plastic bottle wells	\$511.00

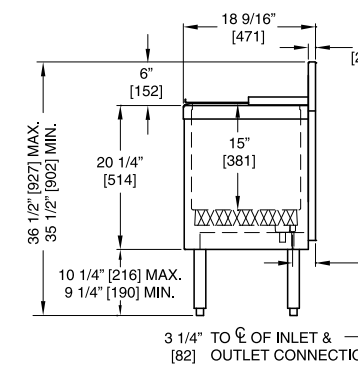
36" Width						
TS36IC-EC	\$2,720.00	TSD36IC-EC	\$2,880.00	115	120	N/A
TS36IC-EC10	\$5,305.00	TSD36IC-EC10	\$5,480.00	115	190	10

Accessories for 36" Ice Chests

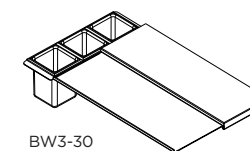
Part No.	Description	List Price
ICC36	Front and back covers	\$302.00
BW3-36	3 plastic bottle wells, front and back covers	\$466.00
BW6-36	3 plastic bottle wells, front and back covers, 3 plastic bottle wells	\$550.00
BW6A-36	6 plastic bottle wells, front and back covers	\$556.00
BW9-36	3 plastic bottle wells, front and back covers, 6 plastic bottle wells	\$545.00



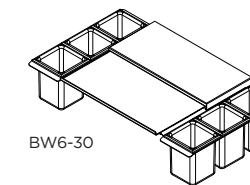
TSD24IC-EC10



End view extra capacity ice chest



BW3-30



BW6-30

SERVICE STATION

SS Series	Ice Cap. (lbs.)	Ship Wt. (lbs.)	No. of Cold Plate Circuits	List Price
24" Width				
SS24IC10	114	170	10	\$6,240.00
SS24IC20*	*SS24IC20 has dual 10 circuit cold plates		20	\$8,065.00

Accessory Covers and Bottle Wells for 24" Ice Chests

Part No.	Description	List Price
ICC-SS24	Front and back covers	\$376.00
BW-SS6-24	3 plastic bottle wells, 4 piece cover set, 3 plastic bottle wells	\$612.00

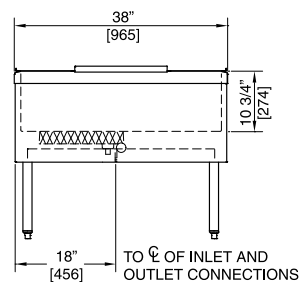
30" Width	Ice Cap. (lbs.)	Ship Wt. (lbs.)	No. of Cold Plate Circuits	List Price
30" Width				
SS30IC10	144	190	10	\$6,420.00
SS30IC20*	*SS30IC20 has dual 10 circuit cold plates		20	\$8,245.00

Accessory Covers and Bottle Wells for 30" Ice Chests

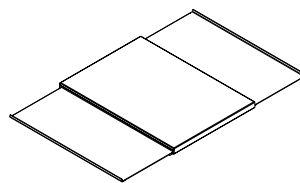
Part No.	Description	List Price
ICC-SS30	Front and back covers	\$422.00
BW-SS6-30	3 plastic bottle wells, 4 piece cover set, 3 plastic bottle wells	\$688.00



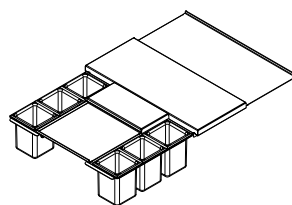
SS24IC10



End view of service station ice chest



ICC24



BW-SS6-24

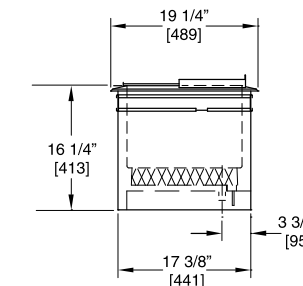
DROP-IN ICE CHESTS

Part No.	Ice Cap. (lbs.)	Ship Wt. (lbs.)	No. of Cold Plate Circuits	List Price
17" Width (NEW)				
DI17IC	35	50	N/A	\$2,425.00
18" Width				
DI18IC	35	50	N/A	\$2,425.00
24" Width				
DI24IC	50	60	N/A	\$2,670.00
DI24IC10	50	130	10	\$5,245.00
30" Width				
DI30IC	65	70	N/A	\$2,910.00
DI30IC10	65	140	10	\$5,485.00
36" Width				
DI36IC	80	80	N/A	\$3,140.00
DI36IC10	80	150	10	\$5,720.00

Note: Standard covers are included with all drop-in ice chests.



DI24IC



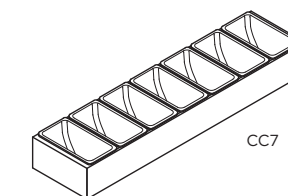
End view drop-in ice chest

ICE CHEST ACCESSORIES

Condiment Trays

Free-standing stainless steel rack. Designed for ice chest back cover but can be located anywhere convenient. Each plastic cup is 5-1/2" x 3" x 3" deep and holds 1 pint.

Part No.	Description	List Price
CC4	4 cup condiment tray 12-1/2" width	\$211.00
CC5	5 cup condiment tray 15-3/8" width	\$222.00
CC6	6 cup condiment tray 18-1/4" width	\$237.00
CC7	7 cup condiment tray 21-1/4" width	\$246.00



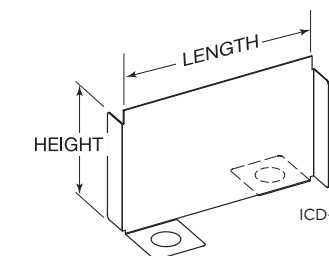
CC7

Ice Dividers - Free-standing

Part No.	Application	Width	Height	List Price
ICD-TS	Standard ice chests	15-1/16"	9-5/8"	\$111.00
ICD-DI*	Drop-in ice chests	14-3/4"	9-5/8"	\$111.00
ICD-TSF	Full depth ice chests	20-1/2"	9-5/8"	\$140.00
ICD-EC	Extra capacity ice chests	15-1/16"	13-7/8"	\$140.00
ICD-SS	Service station ice chests (38")	35-9/16"	9-5/8"	\$175.00
ICD-PT	Pass-thru station ice chests (32")	29-9/16"	9-5/8"	\$175.00

* Not applicable for DI17IC

Add "-R" suffix for field installed



ICD-TS

Backsplash Cutout

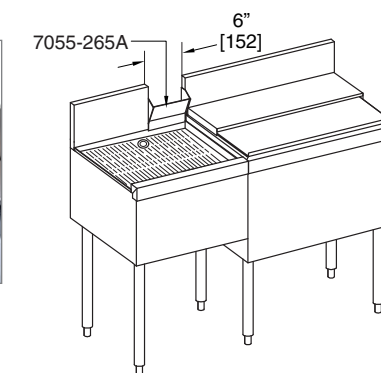
Part No.	Description	List Price
7055-265A*	For soda lines	\$281.00

* Not applicable on TSD models or modular bar

Note: Only available on ice chests and drainboards.



7055-265A - soda chase cutout



INSULATED STORAGE CHESTS

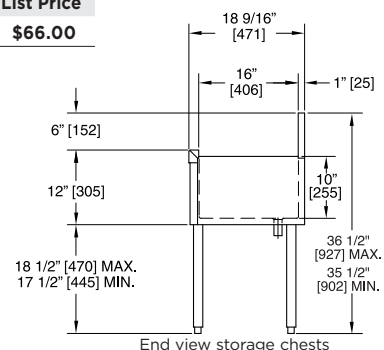
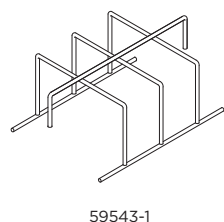
6" Wide Chest						
TS Series		TSF Series		TSS Series		Ship Wt. (lbs.)
Part No.	List Price	Part No.	List Price	Part No.	List Price	
TS6U	\$1,170.00	TSF6U	\$1,190.00	TSS6U	\$1,195.00	6" Chest
TS6U2	\$1,225.00	TSF6U2	\$1,250.00	TSS6U2	\$1,260.00	6" Chest with 3 bottle wells

12" Wide Chest						
TS Series		TSF Series		TSS Series		Ship Wt. (lbs.)
Part No.	List Price	Part No.	List Price	Part No.	List Price	
TS12U	\$1,455.00	TSF12U	\$1,510.00	TSS12U	\$1,485.00	12" Chest
TS12U2	\$1,575.00	TSF12U2	\$1,635.00	TSS12U2	\$1,605.00	12" Chest with 6 bottle wells
TS12U3	\$1,855.00	TSF12U3	\$1,910.00	N/A	-	12" Chest with 8 condiment cups



Accessories

Part No.	Description	List Price
59543-1	8 bottle wire rack divider for TS12U	\$66.00



ICE CREAM CENTER

24" Wide Cabinet with Drop-In Ice Cream Unit

Includes five year compressor warranty

TS Series		TSD Series		Ship Wt. (lbs.)
Part No.	List Price	Part No.	List Price	
TS24DC-A	\$2,320.00	TSD24DC-A	\$2,435.00	199

*Order #8000B Drop-In Ice Cream Unit separately

Drop-In Ice Cream Unit Only

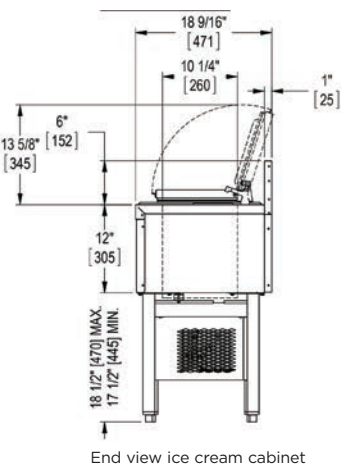
Includes five year compressor warranty

16" Wide x 16" Deep x 26-34" High

Part No.	Description	Ship Wt. (lbs.)	List Price
8000B	Drop-in ice cream freezer unit	114	\$6,600.00



TSD24DC-A (Shown with 8000B Ice Cream Unit, order separately)



Second Year Extended Parts and Labor Warranty

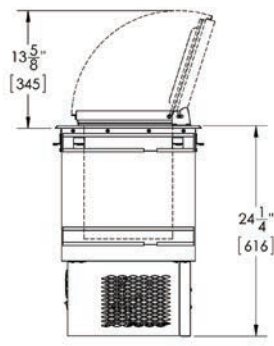
Part No.	Description	Net Price
730	Second year extended parts and labor warranty	\$500.00

ACCESSORIES FOR DROP-IN ICE CREAM UNIT

Part No.	Description	List Price
8005A-1	Dipper well kit	\$572.00
8005-2	Lead-free faucet kit for dipper well	\$127.00
8005A	Dipper well and faucet kit	\$670.00



8000B



End view drop-in ice cream unit

Note: Modules on this page, assembled to other modules, are custom made and cannot be returned for credit.

Soda gun fillers are designed to mount Wunder-Bar® or Schroeder America™ 8-14 product soda gun manifolds and drip cups (not included). Manifolds mount to a universal interior side bracket to conceal soda lines. The drip cup mounts to the top cover, which is removable without tools for easy access and service. Soda gun fillers have no provisions for legs. Filler must be mounted to adjacent equipment. Soda gun, manifold, and drip cup are not included and shown for illustration purpose only.

SODA GUN FILLER SECTIONS

TS Series		TSF Series		TSS Series		PTS Series		Application		
Part No.	List Price	Part No.	List Price	Part No.	List Price	Part No.	List Price	Wunder-Bar*	Schroeder*	Ship Wt. (lbs.)
*TS4SGB	\$974.00	*TSF4SGB	\$992.00	TSS4.25SGB	\$1,365.00	PTS4.25SGB	\$1,545.00	Yes	Yes	20
TS6SGB	\$992.00	TSF6SGB	\$1,025.00	TSS6SGB	\$1,380.00	PTS6SGB	\$1,505.00	Yes	Yes	25

*Accepts only non-flow-control manifolds that don't exceed 3" in overall thickness; 36" (914) overall height



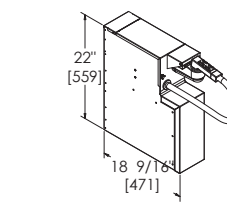
TSS4.25SGB



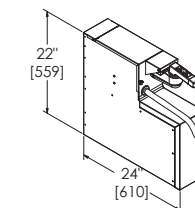
TS6SGB



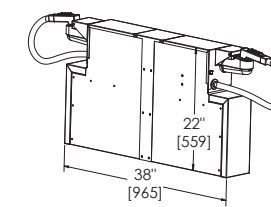
TSS6SGB



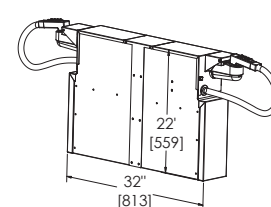
TS6SGB



TSF6SGB



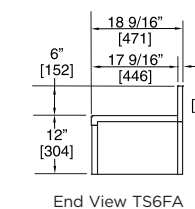
TSS6SGB



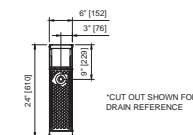
PTS6SGB

6" FILLER SECTIONS

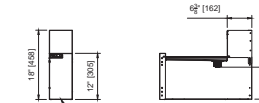
Part No.	Description	Ship Wt. (lbs.)	List Price
TS Series			
TS6FA	With flat top	18	\$680.00
TS6CO-DB	With access cutout and drainboard	15	\$880.00
TS6CO2	Access cutout and 2 bottle wells	25	\$1,190.00
TSF Series			
TSF6CO-DB	With access cutout and drainboard		\$1,000.00



End View TS6FA

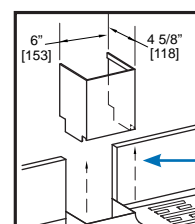


*CUT OUT SHOWN FOR DRAIN REFERENCE



NO LEGS AVAILABLE

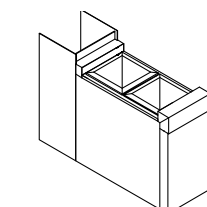
TSF6CO-DB



TS6CO-BW (with 7055-66 backslash chase)

Accessories

Part No.	Description	List Price
7055-66	Chase for TS6CO	\$282.00
7055-74	Chase for TS6CO2	\$282.00
7055-68	Stainless steel backslash	\$140.00



TS6CO2



TS6FA

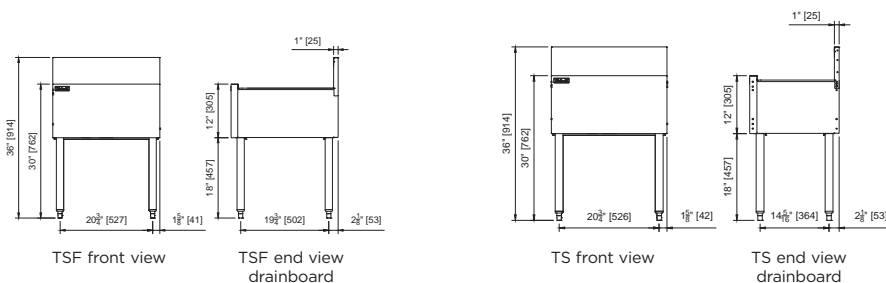


TSF6CO-DB

Note: Modules on this page, assembled to other modules, are custom made and cannot be returned for credit.

New DRAINBOARD & EQUIPMENT STANDS

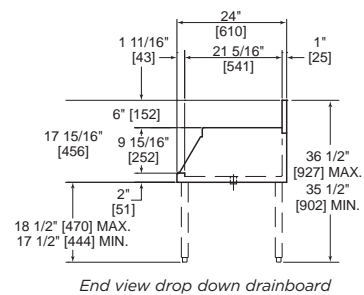
TS Series		TSF Series		TSS Series		Width	Ship Wt. (lbs.)
Part No.	List Price	Part No.	List Price	Part No.	List Price		
TS12DB	\$1,175.00	TSF12DB	\$1,300.00	TSS12DB	\$1,375.00	12"	35
TS13DB	\$1,410.00	TSF13DB	\$1,605.00	N/A	-	13"	35
TS14DB	\$1,410.00	TSF14DB	\$1,605.00	N/A	-	14"	37
TS15DB	\$1,410.00	TSF15DB	\$1,605.00	N/A	-	15"	37
TS16DB	\$1,410.00	TSF16DB	\$1,605.00	N/A	-	16"	38
TS17DB	\$1,410.00	TSF17DB	\$1,605.00	N/A	-	17"	38
TS18DB	\$1,240.00	TSF18DB	\$1,435.00	TSS18DB	\$1,440.00	18"	40
TS19DB	\$1,535.00	TSF19DB	\$1,755.00	N/A	-	19"	40
TS20DB	\$1,535.00	TSF20DB	\$1,755.00	N/A	-	20"	42
TS21DB	\$1,535.00	TSF21DB	\$1,755.00	N/A	-	21"	42
TS22DB	\$1,535.00	TSF22DB	\$1,755.00	N/A	-	22"	44
TS23DB	\$1,535.00	TSF23DB	\$1,755.00	N/A	-	23"	44
TS24DB	\$1,305.00	TSF24DB	\$1,510.00	TSS24DB	\$1,505.00	24"	45
TS25DB	\$1,635.00	TSF25DB	\$1,885.00	N/A	-	25"	45
TS26DB	\$1,635.00	TSF26DB	\$1,885.00	N/A	-	26"	47
TS27DB	\$1,635.00	TSF27DB	\$1,885.00	N/A	-	27"	47
TS28DB	\$1,635.00	TSF28DB	\$1,885.00	N/A	-	28"	48
TS29DB	\$1,635.00	TSF29DB	\$1,885.00	N/A	-	29"	48
TS30DB	\$1,415.00	TSF30DB	\$1,635.00	TSS30DB	\$1,615.00	30"	50
TS36DB	\$1,525.00	TSF36DB	\$1,760.00	N/A	-	36"	60
TS42DB	\$1,635.00	TSF42DB	\$1,885.00	N/A	-	42"	90
TS48DB	\$1,745.00	TSF48DB	\$2,040.00	N/A	-	48"	115



DROP-DOWN DRAINBOARDS

TSF Series			
Part No.	Width	Ship Wt. (lbs.)	List Price
TSF12DD	12"	30	\$1,245.00
TSF18DD	18"	35	\$1,305.00
TSF24DD	24"	40	\$1,370.00

Note: Legs are included with drop-down drainboards.



ACCESSORY PERLICK FLEX MOUNT LEG RELOCATION KIT

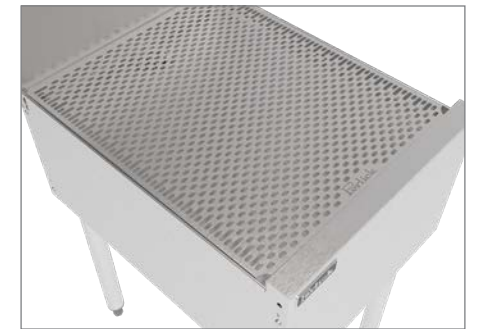
Part No.	Description	List Price
1039805	Perlick Flex Mount Leg Relocation Kit, includes rail, bolt, and tightening knob, for NEW TSF Series Equipment	\$100.00



New DRAINBOARD INSERTS

TS Series		TSF Series		Width	Ship Wt. (lbs.)
Part No.	List Price	Part No.	List Price		
1040635-12	\$150.00	1032968-12	\$170.00	12"	5
1040635-13	\$160.00	1032968-13	\$180.00	13"	5
1040635-14	\$170.00	1032968-14	\$190.00	14"	6
1040635-15	\$180.00	1032968-15	\$200.00	15"	6
1040635-16	\$190.00	1032968-16	\$210.00	16"	7
1040635-17	\$200.00	1032968-17	\$220.00	17"	7
1040635-18	\$210.00	1032968-18	\$230.00	18"	8
1040635-19	\$220.00	1032968-19	\$240.00	19"	8
1040635-20	\$230.00	1032968-20	\$250.00	20"	9
1040635-21	\$240.00	1032968-21	\$260.00	21"	9
1040635-22	\$250.00	1032968-22	\$270.00	22"	9
1040635-23	\$260.00	1032968-23	\$280.00	23"	10
1040635-24	\$270.00	1032968-24	\$290.00	24"	10

2x size options for drainboards larger than 24"
-R suffix for field installed



New DRAINBOARD FLAT TOP INSERTS

TS Series		TSF Series		Width	Ship Wt. (lbs.)
Part No.	List Price	Part No.	List Price		
1040689-12	\$150.00	1032573-12	\$170.00	12"	5
1040689-15	\$180.00	1032573-15	\$200.00	15"	6
N/A	-	1032573-16	\$210.00	15"	6
1040689-18	\$210.00	1032573-18	\$230.00	18"	8
1040689-24	\$270.00	1032573-24	\$290.00	24"	10

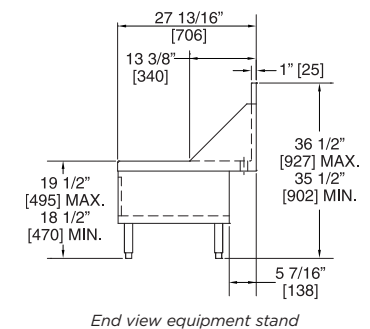
(2) 15" option for 30" drainboards
-R suffix for field installed



EQUIPMENT STANDS

Part No.	Width	Ship Wt. (lbs.)	List Price
ES18	18"	45	\$2,300.00
ES24	24"	65	\$2,490.00

Note: Modules on this page, assembled to other modules, are custom made and cannot be returned for credit.



New BLENDERS STATIONS WITH SINK

TSF Series	TSS Series		Width	Ship Wt. (lbs.)		
TSF12BS	Part No.	List Price	Part No.	List Price	12"	50
TSF18BS	Part No.	List Price	Part No.	List Price	18"	60

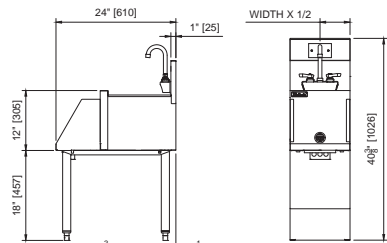
* Water faucet sold separately with TSS blender station



TSS18BS



TSS18BS-RS



End view blender station with sink

New BLENDERS STATIONS WITH SINK AND RINSER

TSF Series	Part No.	List Price	Width	Ship Wt. (lbs.)
	TSF18BS-RS	\$2,500.00	18"	50

ACCESSORIES FOR BLENDER STATIONS

Accessory "Wall" Mount Water Faucets for TS Series Blender Stations

Part No.	Description	List Price
934GN-LF	Wall faucet with gooseneck spout, lead-free, 2.2 GPM (8.3 L/min)	\$573.00

Accessory "Deck" Mount Water Faucets for TSD & TSS Series Blender Stations

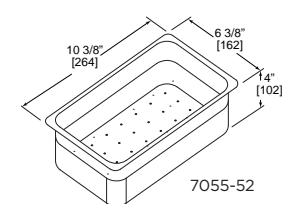
Part No.	Description	List Price
926GN-LF	Deck faucet with gooseneck spout, lead-free, 2.2 GPM (8.3 L/min)	\$466.00

Misc. Accessories for Blender Stations

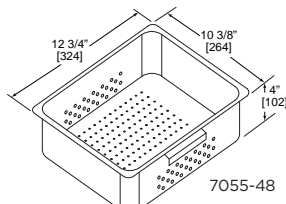
Part No.	Description	List Price
43688A	Water conserving aerator, 0.5 GPM (1.9 L/min)	\$21.00
43688F	Water conserving aerator, 1.5 GPM (5.7 L/min)	\$21.00
7055-52	Perforated wet waste pan for 12" & 14" blenders, clear plastic, 2.7 quart	\$105.00
7055-48	Perforated wet waste pan for 18" blender, stainless, 7 quart	\$185.00
736B	Towel ring, field installed	\$99.00
736BIN	Towel ring, factory installed	\$99.00



934GN-LF Wall Mounted Faucet



7055-52



7055-48



934GN-LF



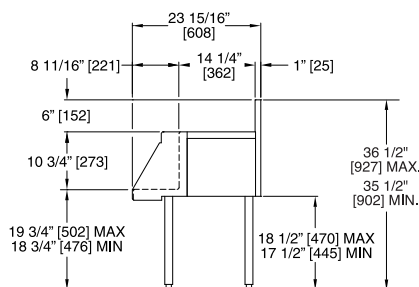
926GN-LF

BLENDER STATION WITH FLAT TOP

TS Series	Part No.	Width	Ship Wt. (lbs.)	List Price
	TS12BLD	12"	45	\$1,325.00
	TS18BLD	18"	55	\$1,435.00



TS12BLD



End view blender station with flat work surface

TSS 3" DECK ASSEMBLIES

Joins TSS modules to form back-to-back service stations.

TSS Series	Part No.	Description	Ship Wt. (lbs.)	List Price
	TSS12BU	12" Deck	10	\$1,195.00
	TSS18BU	18" Deck	11	\$1,315.00
	TSS24BU	24" Deck	12	\$1,435.00
	TSS30BU	30" Deck	13	\$1,555.00

Water faucet sold separately.



TSS Service Center connected with TSS12BU bridge piece

ACCESSORY LEAD-FREE WATER FAUCETS FOR TSS SERIES DECK ASSEMBLIES

Part No.	Description	List Price
926GN-LF	Deck faucet with lead-free gooseneck spout, 2.2 GPM (8.3 L/min)	\$466.00
926-6LF	Deck faucet with 6" lead-free swing spout, 2.2 GPM (8.3 L/min)	\$461.00
926-10LF	Deck faucet with 10" lead-free swing spout, 2.2 GPM (8.3 L/min)	\$477.00
926DJ-LF	Deck faucet with 18" lead-free double jointed swing spout, 2.2 GPM (8.3 L/min)	\$546.00



926GN-LF

ACCESSORY PERLICK FLEX MOUNT LEG RELOCATION KIT

Part No.	Description	List Price
1039805	Perlick Flex Mount Leg Relocation Kit, includes rail, bolt, and tightening knob, for NEW TSF Series Equipment	\$100.00



1039805



LUXE GOLF, FRANKLIN, WI

New BARTENDER PREP SINKS

TSF Series			
Part No.	Description	Width	List Price
TSF8PS-BRT	Underbar prep sink, 8" W x 24" D, with cutting board (8"W x 7.5"D), glass rinser (5" Diameter), and tool well (5.5" diameter)	8"	\$2,890.00
TSF12PS-SB	Underbar prep sink, 12" W x 24" D, with sink bowl (9.75"W x 10.5" FTB x 6" D), cutting board (12"W x 7.5"D)	12"	\$2,160.00
TSF12PS-SR	Underbar prep sink, 12" W x 24" D, with sink bowl (9.75"W x 10.5" FTB x 6" D), glass rinser (5" diameter)	12"	\$2,385.00
TSF14PS-SRT	Underbar prep sink, 14" W x 24" D, with sink bowl (9.75"W x 10.5" FTB x 6" D), glass rinser (5" Diameter), and tool well (5.5" diameter)	14"	\$3,900.00
TSF18PS-SBR	Underbar prep sink, 18" W x 24" D, with sink bowl (13.75"W x 10" FTB x 9.5" D), cutting board (11.5"W x 7.5"D), glass rinser (5" diameter)	18"	\$4,050.00
TSF20PS-SBRT	Underbar prep sink, 20" W x 24" D, with sink bowl (9.75"W x 10.5" FTB x 6" D), cutting board (20"W x 7.5"D), glass rinser (5" Diameter), and tool well (5.5" diameter)	20"	\$4,350.00
TSF24PS-SBRT	Underbar prep sink, 24" W x 24" D, with sink bowl (9.75"W x 10.5" FTB x 6" D), cutting board (11.75"W x 13"D), glass rinser (5" Diameter), and tool well (5.5" diameter)	24"	\$4,575.00

Accessories for Prep Sinks

Part No.	Description	List Price
1039805	Perlick Flex Mount Leg Relocation Kit, includes rail, bolt, and tightening knob, for NEW TSF Series Equipment	\$100.00
GR-IK	Water pressure regulator install kit (required for this unit)	\$114.00



TSF8PS-BRT



TSF18PS-SR



1039805
Perlick Flex Mount
Leg Relocation Kit



TSF20PS-SBRT



TSF24PS-SBRT



Tool well closeup shown



Sink/faucet closeup shown

New DUMP SINKS

TS Series		TSF Series		TSS Series		Width	Ship Wt. (lbs.)
Part No.	List Price	Part No.	List Price	Part No.	List Price		
TS12DS	\$1,500.00	TSF12DS	\$1,710.00	TSS12DS	\$2,105.00	12"	45
TS18DS	\$1,625.00	N/A	-	N/A	-	18"	60



TS12DS



TSF12DS



TSF12DS Shown with New towel dispenser and hand soap dispenser design

New HAND SINKS

TSF Series		TSD Series		Soap Disp. Mounting	Towel Type	Width	Ship Wt. (lbs.)
Part No.	List Price	Part No.	List Price				
TSF12HS	\$2,100.00	N/A	-	Splash	Folded	12"	50
TSF18HS	\$2,575.00	TSD18HST	\$2,785.00	Deck	Roll paper towel	18"	60

ACCESSORIES

"Wall" Mount Water Faucets for TS Series Hand Sinks

Part No.	Description	List Price
934GN-LF	Front loading, wall/splash mount, lead-free faucet with gooseneck spout	\$573.00

"Deck" Mount Water Faucets for TSS Series Hand Sinks

Part No.	Description	List Price
926GN-LF	Deck faucet with lead-free gooseneck spout, 2.2 GPM (8.3 L/min)	\$466.00

Misc. Accessories for Hand Sinks

Part No.	Description	List Price
UAC-EFA	Faucet control, electronic, battery operated	\$177.00
UAC-HWFC	Faucet control, mechanical. Mounts on any faucet in minutes. Simply remove the aerator and install controller to end of spout. Set the faucet handles to your desired water flow and temperature.	\$114.00
43705	Wrist blade handles, pair, field installed (not applicable on TS12HSN)	\$120.00
67420-2*-LF	Water valve, dual pedal, foot operated, 1/2" NPT	\$375.00
67419-6W*-LF	Swing spout, 6", wall mounted, for use with foot operated water valve	\$170.00
67419-6D*-LF	Swing spout, 6", deck mounted, for use with foot operated water valve	\$193.00
43688A	Water conserving aerator, 0.5 GPM (1.9 L/min), field installed	\$21.00
43688F	Water conserving aerator, 1.5 GPM (5.7 L/min), field installed	\$21.00
736B	Towel ring, field installed	\$99.00
736BIN	Towel ring, factory installed	\$99.00
7055-48	Perforated wet waste pan for 12" and 18" hand sinks, stainless, 7 quart	\$185.00

* Applicable for TS12HS and TS12HSN only



UAC-EFA



UAC-HWFC



43705



67420-2



67419-6W



67419-6D

Touchless Faucets

Part No.	Description	List Price
946GN	Electronic hands free faucet, deck mount	\$1,185.00
944GN	Electronic hands free faucet, wall mount (Includes Touchless Faucet Adapter Kit - 904-088)	\$1,430.00



Touchless faucets include adapter kit - 904-088



946GN



944GN

SINKS WITH 2 TANKS

TS Series		TSD Series		Overall Width	Tank Location	Drainboard Width	Ship Wt. (lbs.)
Part No.	List Price	Part No.	List Price				
TS24M2	\$2,420.00	TSF24M2	\$2,720.00	24" (2')	Center	N/A	65

Accessory "Wall" Mount Water Faucets for TS Series 2 Tank Sinks

Part No.	Description	List Price
934-6LF	Wall faucet with 6" lead-free swing spout, 2.2 GPM (8.3 L/min)	\$568.00

Accessory "Deck" Mount Water Faucets for TSD and TSS Series 2 Tank Sinks

926-6LF	Deck faucet with 6" lead-free swing spout, 2.2 GPM (8.3 L/min)	\$461.00
---------	--	----------

Misc. Accessory for 2 Tank Sinks

202PVC	Drain connection kit for sinks with two tanks	\$65.00
--------	---	---------



TS24M2

SINKS WITH 3 TANKS

TS Series		TSF Series		Overall Width	Tank Location	Drainboard Width
Part No.	List Price	Part No.	List Price			
TS36M3	\$2,945.00	TSF36M3	\$3,610.00	36" (3')	N/A	N/A
TS48M3-DBR	\$3,360.00	TSF48M3-DBR	\$4,260.00	48" (4')	Right	12"
TS48M3-DBL	\$3,360.00	TSF48M3-DBL	\$4,260.00	48" (4')	Left	12"
TS60M3-DB	\$3,795.00	TSF60M3-DB	\$4,805.00	60" (5')	Both sides, flanked or right & left	2 @ 12"
TS72M3-DB	\$4,015.00	TSF72M3-DB	\$5,140.00	72" (6')	Both sides, flanked or right & left	2 @ 18"
TS84M3-DB	\$4,235.00	TSF84M3-DB	\$5,475.00	84" (7')	Both sides, flanked or right & left	2 @ 24"
TS96M3-DB	\$4,455.00	TSF96M3-DB	\$5,990.00	96" (8')	Both sides, flanked or right & left	2 @ 30"

Accessory "Wall" Mount Water Faucets for TS Series 3 Tank Sinks

Part No.	Description	List Price
934-10LF	Wall faucet with 10" lead-free swing spout, 2.2 GPM (8.3 L/min)	\$541.00

Accessory "Deck" Mount Water Faucets for TSD and TSS Series 3 Tank Sinks

926-10LF	Deck faucet with 10" lead-free swing spout, 2.2 GPM (8.3 L/min)	\$477.00
----------	---	----------

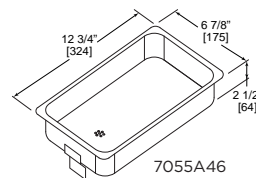
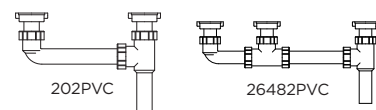
Misc. Accessory for 3 Tank Sinks

26482PVC	Drain connection kit for sinks with three tanks	\$105.00
7055A46	Wet waste pan - drains into standpipe	\$183.00
CR-S01	California Health Code, "Integral" drainboards (for TS43L/R with one drainboard)	\$515.00
CR-S02	California Health Code, "Integral" drainboards (for sinks with two drainboards)	\$1,025.00

Note: Modules on this page, assembled to other modules, are custom made and cannot be returned for credit.



TSF48M3-DBR



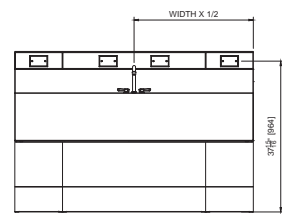
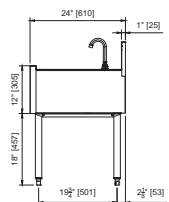
7055A46



1039805



TS60M3-DB



TS60M3-DB

ACCESSORY PERLICK FLEX MOUNT LEG RELOCATION KIT

Part No.	Description	List Price
1039805	Perlick Flex Mount Leg Relocation Kit, includes rail, bolt, and tightening knob, for NEW TSF Series Equipment	\$100.00

SINKS WITH 4 TANKS

TS Series		TSF Series		Overall Width	Tank Location	Drainboard Width	Ship Wt. (lbs.)
Part No.	List Price	Part No.	List Price				
TS48M4	\$3,795.00	TSF48M4	\$4,635.00	48" (4')	N/A	N/A	125
TS72M4-DB	\$4,660.00	TSF72M4-DB	\$5,850.00	72" (6')	Both sides, flanked or right & left	2 @ 12"	150
TS84M4-DB	\$4,865.00	TSF84M4-DB	\$6,250.00	84" (7')	Both sides, flanked or right & left	2 @ 18"	165
TS96M4-DB	\$5,080.00	TSF96M4-DB	\$6,630.00	96" (8')	Both sides, flanked or right & left	2 @ 24"	200

Accessory "Wall" Mount Water Faucets for TS Series 4 Tank Sinks

Part No.	Description	List Price
934DJ-LF	Front loading, wall/splash mount, lead-free faucet with double jointed swing spout	\$610.00

Accessory "Deck" Mount Water Faucets for TSD and TSS Series 4 Tank Sinks

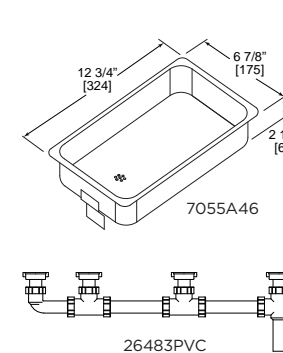
926DJ-LF	Deck faucet with 18" lead-free double jointed swing spout, 2.2 GPM (8.3 L/min)	\$546.00
----------	--	----------

Misc. Accessory for 4 Tank Sinks

26483PVC	Drain connection kit for sinks with four tanks	\$176.00
7055A46	Wet waste pan - drains into standpipe	\$183.00
CR-S02	California Health Code, "Integral" drainboards (for sinks with two drainboards)	\$1,025.00

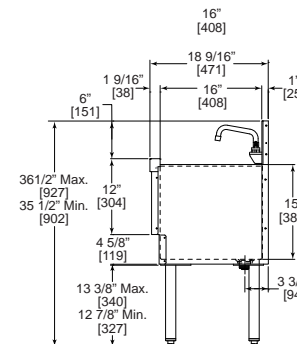


TS84M4-DB



7055A46

26483PVC



SINKS WITH EXTRA CAPACITY TANKS

These sinks have 16 1/4" long x 16" wide x 15" deep tanks to meet various regional health codes.

TS Series		TSF Series		Width	Number of Tanks	Number of Faucets Required	Ship Wt. (lbs.)
Part No.	List Price	Part No.	List Price				
TS18M1-EC	\$1,735.00	TSF18M1-EC	\$1,990.00	18"	1	1	105
TS54M3-EC	\$5,180.00	TSF54M3-EC	\$5,775.00	54"	3	2	205

Faucets not included. Order separately.

Accessory "Wall" Mount Water Faucets for TS Series Extra Capacity Sinks

Part No.	Description	List Price
934-6LF	Wall faucet with 6" lead-free swing spout, 2.2 GPM (8.3 L/min)	\$568.00

Accessory "Deck" Mount Water Faucets for TSD and TSS Series Extra Capacity Sinks

926-6LF	Deck faucet with 6" lead-free swing spout, 2.2 GPM (8.3 L/min)	\$461.00
---------	--	----------



TS18M1-EC



TS54M3-EC

ACCESSORY PERLICK FLEX MOUNT LEG RELOCATION KIT

Part No.	Description	List Price
1039805	Perlick Flex Mount Leg Relocation Kit, includes rail, bolt, and tightening knob, for NEW TSF Series Equipment	\$100.00

NEW Perlick Storage Cabinets & Drainboards

The best bars are the perfect blend of performance and style, form and functionality. **Perlick's NEW Storage Cabinets and Drainboards** feature an ergonomic design to help bartenders be faster, more productive, safer, and profitably engaged with customers. With decades of experience laying out remarkable custom bars, we can help you create your ideal venue.

NEW stadium-shaped perforated drainboard insert, pitched drainboard top

NEW optional field reversible door

NEW Quick Clamp legs



NEW STORAGE BINS FOR GLASSWARE

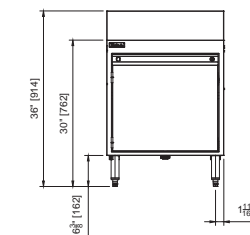
Part No.	Description	Width	Ship Wt. (lbs.)	List Price
TSF24SC-GR	With drainboard top, perforated glass rack insert, and two glass rack shelves	24"	80	\$2,435.00

ACCESSORIES

Part No.	Description	List Price
1051837	Kit, glass rack storage cabinet, additional drain shelf and clips	\$150.00
1051281-1	Pan, chemical storage, storage cabinet	\$280.00



TSF24SC-GR



Front view storage bin

NEW STORAGE CABINETS WITH FULL DRAINBOARD TOP

TSF Series - Less Doors (includes one shelf)

Part No.	Width	Ship Wt. (lbs.)	List Price
TSF12SC*	12"	30	\$2,130.00
TSF16SC*	16"	45	\$2,165.00
TSF18SC*	18"	40	\$2,245.00
TSF24SC*	24"	80	\$2,285.00
TSF30SC*	30"	90	\$2,575.00
TSF36SC	36"	100	\$2,840.00
TSF42SC	42"	115	\$3,030.00
TSF48SC	48"	125	\$3,220.00

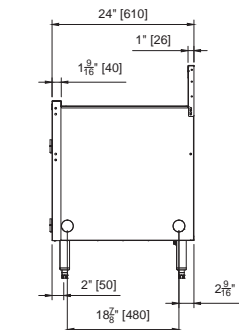
* Can be factory assembled to TSF12CM and TSF24CM. Specify left or right location of TSF12CM.

TS Series - Less Doors (includes one shelf)

Part No.	Width	Ship Wt. (lbs.)	List Price
TS12SC	12"	24	\$2,050.00
TS18SC	18"	32	\$2,165.00
TS24SC	24"	52	\$2,330.00
TS30SC	30"	64	\$2,490.00
TS36SC	36"	80	\$2,755.00
TS42SC	42"	90	\$2,945.00
TS48SC	48"	100	\$3,135.00



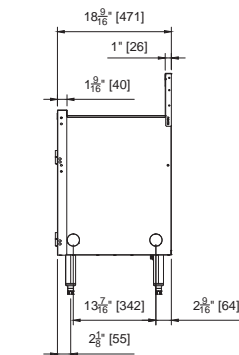
TSF24SC
Shown with **NEW** optional field reversible door and with glass rack insert



End view storage cabinet



TS18SC
Shown with **NEW** optional field reversible door and with glass rack insert



End view storage cabinet with sink



TSF18DS-TR
Shown with **NEW** optional field reversible door

NEW STORAGE CABINET WITH SINK AND WASTE CHUTE Less shelf, optional door

Part No.	Width	Ship Wt. (lbs.)	List Price
TSF18DS-TR*	18"	50	\$2,395.00

* Can be factory assembled to TSF12SC, TSF16SC, TSF18SC, TSF24SC and TSF30SC. Specify left or right location of TSF12CM.

Note: Modules on this page, assembled to other modules, are custom made and cannot be returned for credit.

NEW DOORS FOR STORAGE CABINETS

Factory installed doors*

Part No.	Description	List Price
DR12SC	Door, 12" (left hinged, field reversible)	\$425.00
DR16SC	Door, 16" (left hinged, field reversible)	\$500.00
DR18SC	Door, 18" (left hinged, field reversible)	\$525.00
DR24SC	Door, 24" (left hinged, field reversible)	\$625.00
DR30SC	Door set for 30" cabinet	\$775.00
DR36SC	Door set for 36" cabinet	\$875.00
DR42SC	Door set for 42" cabinet	\$975.00
DR48SC	Door set for 48" cabinet	\$1,075.00

MISCELLANEOUS

Part No.	Description	List Price
SC-ES	End splash (specify left or right location)	\$225.00

WARNING: California Prop 65 Notice
See page 6 for details.

LIQUOR STEP CABINETS

Four steps provide ample space to display liquor bottles.

Part No.	Width	Ship Wt. (lbs)	List Price
DBLS-18	18"	130	\$2,930.00
DBLS-24	24"	145	\$3,195.00
DBLS-30	30"	160	\$3,465.00

GLASS STORAGE CABINETS

Includes three sound-deadening stainless steel adjustable shelves.

Part No.	Width	Ship Wt. (lbs)	List Price
DBGS-18	18"	140	\$3,505.00
DBGS-24	24"	160	\$3,970.00
DBGS-30	30"	180	\$4,440.00

STORAGE CABINETS (Width x 24-3/4" Deep x 34-9/16")

All models are made from stainless steel and are specially designed to complement our entire back bar line.



DBGS-24



DBLS-24

CUSTOMER OPTIONS

LOCKING COVER FOR DB CABINETS*

Width	Part No.	List Price	Part No.	List Price
18"	DB-LC18	\$485.00	DB-LC18-R	\$485.00
24"	DB-LC24	\$547.00	DB-LC24-R	\$547.00
30"	DB-LC30	\$610.00	DB-LC30-R	\$610.00

BOTTLE GUARDS*

Width	Part No.	List Price	Part No.	List Price
18"	DB-BG18	\$233.00	DB-BG18-R	\$233.00
24"	DB-BG24	\$255.00	DB-BG24-R	\$255.00
30"	DB-BG30	\$274.00	DB-BG30-R	\$274.00

* "-R" suffix for Field Installed

LED LIGHT KIT FOR DBGS, DBLS CABINETS*

Cool white LED (4200k) light strip, 12V DC with integrated on/off switch. 100-240VAC transformer with 2-prong wall plug included. **Warranty: LED lamp - 3 years parts, transformer - 1 year parts.**

Part No.	Width	# of LEDs	Watts	Amps	List Price
DB-CWL18	18"	24	3.76	0.31	\$462.00
DB-CWL24	24"	36	5.64	0.47	\$546.00
DB-CWL30	30"	36	5.64	0.47	\$572.00



DB-BG24
Accessory bottle guard

ADDITIONAL ACCESSORIES

Description	Part No.	DBGS-18/ DBLS-18	Part No.	DBGS-24/DBLS-24 DBMP-24/DBSW-24	Part No.	DBGS-30/DBLS-30
4" leg and black front baseplate	66320-108SS-4	\$522.00	66320-24SS-4	\$340.00	66320-30SS-4	\$407.00
4" black end baseplate	66320SS-4	\$175.00	66320SS-4	\$175.00	66320SS-4	\$175.00
6" leg and black front baseplate	66320-108SS	\$542.00	66320-24SS	\$362.00	66320-30SS	\$440.00
6" black end baseplate	66320SS	\$180.00	66320SS	\$180.00	66320SS	\$180.00
Legs 4" - 5-3/4" (Set of four)	57933	\$238.00	57933	\$238.00	57933	\$238.00
Legs 6" - 7-1/2" (Set of four)	57782	\$255.00	57782	\$255.00	57782	\$255.00
Legs 6"-9" (Set of four)	67075	\$302.00	67075	\$302.00	67075	\$302.00

POS CABINETS ("TSF" DEPTH) - LESS DOOR

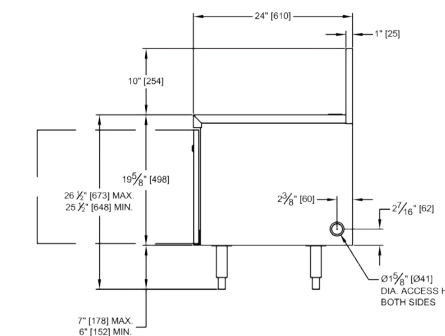
Part No.	Width	Ship Wt. (lbs.)	List Price
TSF18POS	18"	45	\$2,120.00
TSF24POS	24"	65	\$2,335.00



TSF18POS
(with optional end splashes)



TSF24POS
(with optional end splashes)



ACCESSORIES FOR POS CABINETS

Factory installed doors*

Part No.	Description	List Price
POS-DR18L-R	Door, 18" (specify left or right hinging)	\$601.00
POS-DR24L-R	Door, 24" (specify left or right hinging)	\$679.00
POS-DRLK	Door lock	\$49.00
POS-DRLK-R	Door lock	\$49.00

* "-R" for right hinged door

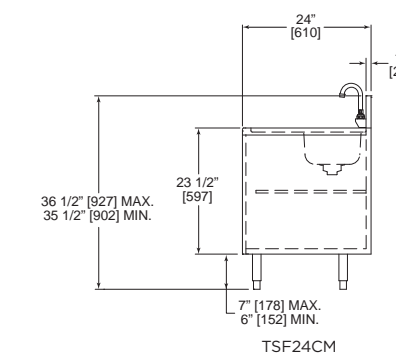
END SPLASH

Part No.	Description	List Price
POS-ESL	End splash (specify left or right location)	\$225.00

CHEMICAL STORAGE CABINETS WITH SINK (24" DEEP)

Part No.	Description	Width	List Price
TSF24CM	Glass storage and chemical cabinet with sink and spray hose	24"	\$5,060.00

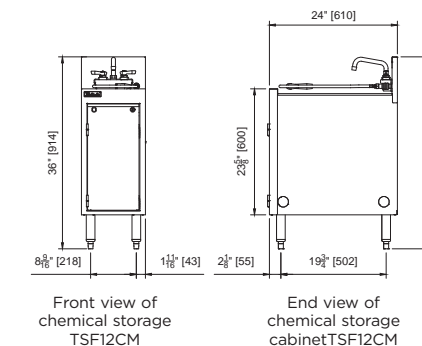
Part No.	Description	Width	List Price
New TSF12CM	Chemical cabinet with sink and spray hose	12"	\$2,500.00



TSF24CM



TSF12CM



Front view of chemical storage cabinet TSF12CM

End view of chemical storage cabinet TSF12CM

LIQUOR DISPLAY CABINET

Part No.	Width	Ship Wt. (lbs.)	List Price
TS12LS	12"	40	\$1,730.00
TS18LS	18"	45	\$1,905.00
TS24LS	24"	50	\$2,095.00

ACCESSORIES

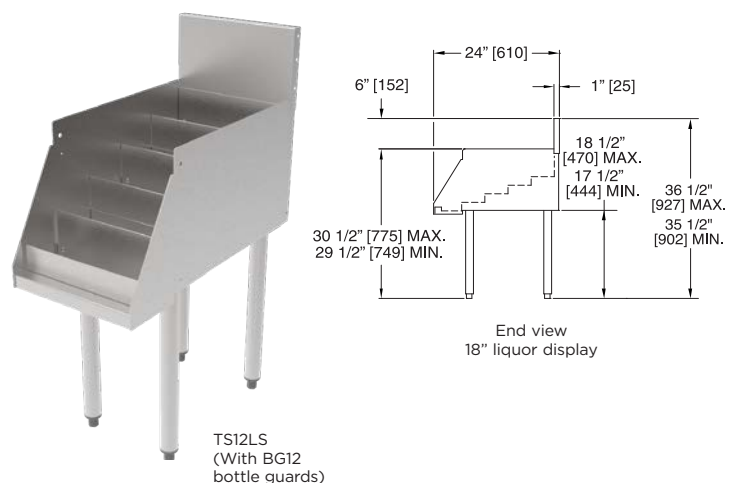
Part No.	Description	List Price
BG12	Bottle guardrail set for TS12LS	\$194.00
BG18	Bottle guardrail set for TS18LS	\$211.00
BG24	Bottle guardrail set for TS24LS	\$240.00

*Add R suffix for field installed

LOCKING COVERS FACTORY AND FIELD INSTALLED

Part No.	Description	List Price
LC12*	Locking cover for TS12LS	\$863.00
LC18*	Locking cover for TS18LS	\$898.00
LC24*	Locking cover for TS24LS	\$933.00

*Add -R suffix for field installed



UNDERBAR BEER DRAINER

TS Series		TSD Series		Description	Ship Wt. (lbs.)
Part No.	List Price	Part No.	List Price		
7055A8	\$1,940.00	7055D8	\$2,130.00	18" drainer for four faucets	30
7055A9	\$2,110.00	7055D9	\$2,380.00	24" drainer for six faucets	40

ACCESSORIES

Part No.	Description	List Price
63262	Pair of legs for beer drainers	\$127.00



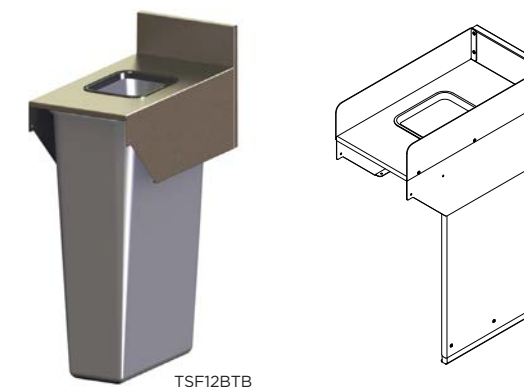
BRIDGE TRASH

Requires support by adjacent underbar equipment or accessory end panel and leg kit.

TSF Series			
Part No.	Width	Ship Wt. (lbs.)	List Price
TSF12BTB	12"	25	\$902.00

MISC. ACCESSORIES FOR BRIDGE TRASH

Part No.	Description	List Price
BTB-PL	End panel and pair of legs (specify left or right, one side only)	\$376.00
BTB-ES	End splash, TSF (specify left or right)	\$233.00
57265	Wastebasket, grey (11" L x 20" W x 30" H)	\$260.00



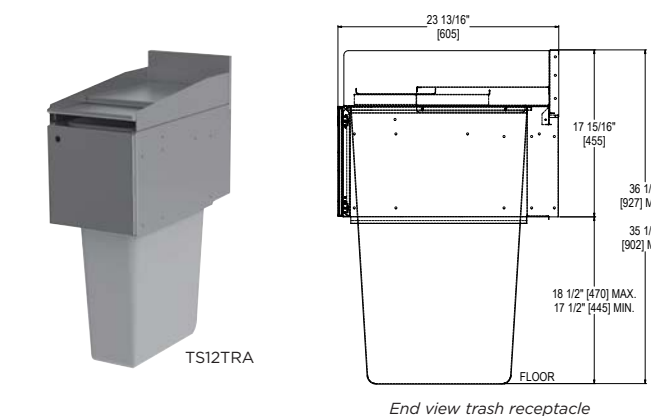
TRASH RECEPTACLE

Requires support by adjacent underbar equipment or accessory panel and leg kit.

Part No.	Width	Ship Wt.(lbs.)	List Price
TS12TRA	12"	35	\$1,775.00

MISC. ACCESSORIES FOR TS12TRA TRASH RECEPTACLE

Part No.	Description	List Price
TRA-PL	Panel leg (specify left or right, one side only)	\$341.00
57265	Wastebasket, grey (11" L x 20" W x 30" H)	\$260.00



APRON TRASH CUT-OUT FOR TRASH RECEPTACLE

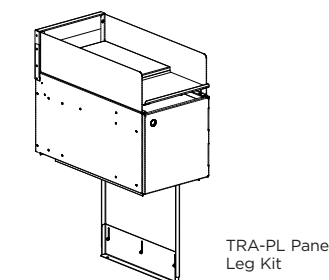
Specify location left and/or right. Available on multi-tank sinks with 12" drainboards only.

Part No.	Width	List Price
TR12CO*	12"	\$751.00

*Not applicable on Modular Bar

MISC. ACCESSORY FOR APRON TRASH CUT-OUT

Part No.	Description	List Price
58643	Wastebasket, grey (11"L x 15 1/4" W x 19-7/8" H)	\$69.00



New CORNER FILLER SECTIONS WITH DRAINBOARD TOP

TS Series		TSF Series		Angle	Description
Part No.	List Price	Part No.	List Price		
Inside Corners					
TS45D-FI*	\$1,600.00	TSF45D-FI*	\$1,800.00	45°	Drainboard, full corner, inside
TS90D-FI	\$1,980.00	TSF90D-FI	\$2,400.00	90°	Drainboard, full corner, inside
TS90TC	\$1,860.00	TSF90TC	\$2,000.00	90°	Drainboard, trim corner, inside

New DRAINBOARD, FULL CORNER, OUTSIDE

TS45D-FO*	\$1,600.00	TSF45D-FO*	\$1,800.00	45°	Drainboard, full corner, outside
-----------	------------	------------	------------	-----	----------------------------------

MISC. ACCESSORIES FOR CORNER FILLER SECTIONS WITH DRAINBOARD TOPS

Part No.	Description	List Price
*63555	Pair of legs for one side of 45°, 60°, and 75° corner filler sections	\$102.00

Note: Equipment legs are included on 90° corner filler sections.

ACCESSORY PERLICK FLEX MOUNT LEG RELOCATION KIT

Part No.	Description	List Price
1039805	Perlick Flex Mount Leg Relocation Kit, includes rail, bolt, and tightening knob, for NEW TSF Series Equipment	\$100.00

New CORNER DRAINBOARDS

TS Series		TSF Series		Width	Splash Location	Ship Wt. (lbs.)
Part No.	List Price	Part No.	List Price			
Inside Corners						
TS90LIC	\$1,730.00	TSF90D-I	\$1,900.00	24"	Left corner	55
TS90RIC	\$1,730.00	TSF90D-I	\$1,900.00	24"	Right corner	55

Note: Equipment legs are included on corner drainboards.

CORNER FILLER SECTIONS WITH FLAT TOP

TS Series		TSF Series		Angle	Description
Part No.	List Price	Part No.	List Price		
TS05F-I	\$571.00	TSF05F-I	\$683.00	5°	Flat top, clip corner, inside
TS10F-I	\$602.00	TSF10F-I	\$708.00	10°	Flat top, clip corner, inside
TS15F-I	\$627.00	TSF15F-I	\$734.00	15°	Flat top, clip corner, inside
TS20F-I	\$659.00	TSF20F-I	\$765.00	20°	Flat top, clip corner, inside
TS25F-I	\$664.00	TSF25F-I	\$771.00	25°	Flat top, clip corner, inside
TS30F-I	\$671.00	TSF30F-I	\$778.00	30°	Flat top, clip corner, inside
TS45F-I	\$683.00	TSF45F-I	\$790.00	45°	Flat top, clip corner, inside
TS60F-I	\$708.00	TSF60F-I	\$822.00	60°	Flat top, clip corner, inside
TS90F-I	\$771.00	TSF90F-I	\$1,045.00	90°	Flat top, clip corner, inside

OUTSIDE CORNER

TSF Series			
Part No.	List Price	Angle	Description
TSF15F-O	\$734.00	15°	Flat top, clip corner, outside
TSF20F-O	\$765.00	20°	Flat top, clip corner, outside
TSF25F-O	\$771.00	25°	Flat top, clip corner, outside

CORNER FILLER END PANEL AND LEG KIT ACCESSORIES FOR CORNER FILLER SECTIONS WITH FLAT TOP

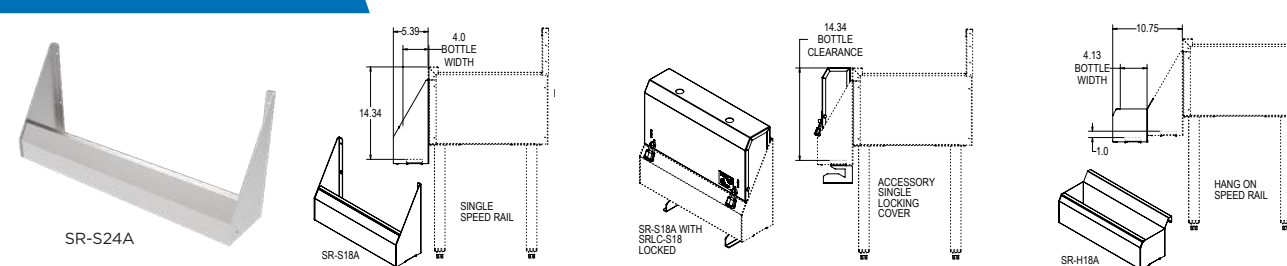
TS Series		TSF Series		Description
Part No.	List Price	Part No.	List Price	
TS-CEL-L	\$281.00	TSF-CEL-L	\$305.00	Corner filler end panel and leg kit, left side
TS-CEL-R	\$281.00	TSF-CEL-R	\$305.00	Corner filler end panel and leg kit, right side

Note: Order side panel accessory (TSF-CEL-L/R) for installation of TSF flat top next to TS equipment.



TS20F-I
Shown with TS-CEL-L

SPEED RAIL OPTIONS



Single Speed Rails*

Part No.	Width	List Price
SR-S12A	12"	\$277.00
SR-S13A	13"	\$298.00
SR-S14A	14"	\$298.00
SR-S15A	15"	\$298.00
SR-S16A	16"	\$298.00
SR-S17A	17"	\$298.00
SR-S18A	18"	\$324.00
SR-S19A	19"	\$324.00
SR-S20A	20"	\$324.00
SR-S21A	21"	\$324.00
SR-S22A	22"	\$324.00
SR-S23A	23"	\$324.00
SR-S24A	24"	\$337.00
SR-S28A	28"	\$345.00
SR-S30A	30"	\$359.00
SR-S34A	34"	\$377.00
SR-S36A	36"	\$383.00
SR-S42A	42"	\$401.00
SR-S48A	48"	\$419.00
SR-S54A	54"	\$464.00
SR-S60A	60"	\$473.00
SR-S72A	72"	\$588.00

*Add "R" suffix for field installed

Dual Speed Rails*

Part No.	Width	List Price
SR-D12A	12"	\$422.00
SR-D13A	13"	\$500.00
SR-D14A	14"	\$500.00
SR-D15A	15"	\$500.00
SR-D16A	16"	\$500.00
SR-D17A	17"	\$500.00
SR-D18A	18"	\$546.00
SR-D19A	19"	\$546.00
SR-D20A	20"	\$546.00
SR-D21A	21"	\$546.00
SR-D22A	22"	\$546.00
SR-D23A	23"	\$546.00
SR-D24A	24"	\$563.00
SR-D28A	28"	\$587.00
SR-D30A	30"	\$611.00
SR-D34A	34"	\$646.00
SR-D36A	36"	\$670.00
SR-D42A	42"	\$734.00
SR-D48A	48"	\$811.00

*Add "R" suffix for field installed

Note: Locking covers include cover only. Order speed rail separately.

Accessory Single Locking Cover*

Part No.	Width	List Price
SR-LC-S12	12"	\$467.00
SR-LC-S13	13"	\$503.00
SR-LC-S14	14"	\$503.00
SR-LC-S15	15"	\$503.00
SR-LC-S16	16"	\$503.00
SR-LC-S17	17"	\$503.00
SR-LC-S18	18"	\$539.00
SR-LC-S19	19"	\$539.00
SR-LC-S20	20"	\$539.00
SR-LC-S21	21"	\$539.00
SR-LC-S22	22"	\$539.00
SR-LC-S23	23"	\$539.00
SR-LC-S24	24"	\$563.00
SR-LC-S28	28"	\$581.00
SR-LC-S30	30"	\$599.00
SR-LC-S34	34"	\$616.00
SR-LC-S36	36"	\$629.00
SR-LC-S42	42"	\$641.00
SR-LC-S48	48"	\$676.00
SR-LC-S54	54"	\$707.00
SR-LC-S60	60"	\$736.00
SR-LC-S72	72"	\$790.00

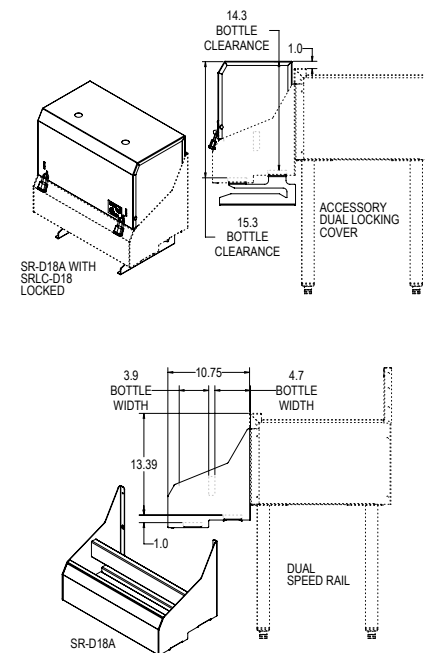
*Add "R" suffix for field installed

Accessory Dual Locking Cover*

Part No.	Width	List Price
SR-LC-D12	12"	\$687.00
SR-LC-D13	13"	\$749.00
SR-LC-D14	14"	\$749.00
SR-LC-D15	15"	\$749.00
SR-LC-D16	16"	\$749.00
SR-LC-D17	17"	\$749.00
SR-LC-D18	18"	\$793.00
SR-LC-D19	19"	\$793.00
SR-LC-D20	20"	\$793.00
SR-LC-D21	21"	\$793.00
SR-LC-D22	22"	\$793.00
SR-LC-D23	23"	\$793.00
SR-LC-D24	24"	\$822.00
SR-LC-D28	28"	\$852.00
SR-LC-D30	30"	\$881.00
SR-LC-D34	34"	\$892.00
SR-LC-D36	36"	\$928.00
SR-LC-D42	42"	\$946.00
SR-LC-D48	48"	\$998.00

*Add "R" suffix for field installed

Note: These are made from combinations of two smaller speed rail covers



WARNING: California Prop 65 Notice
See page 6 for details.

DRINK RAIL DRAINERS

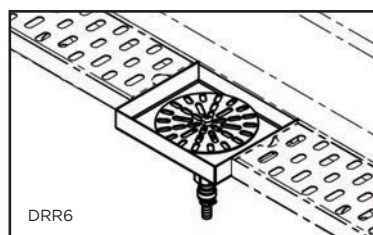
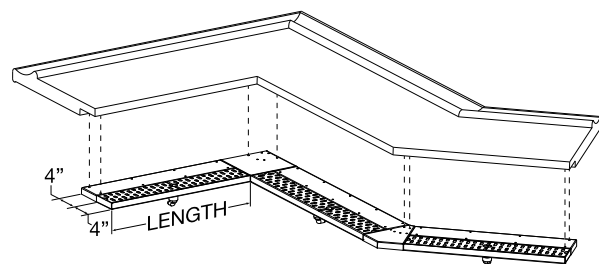
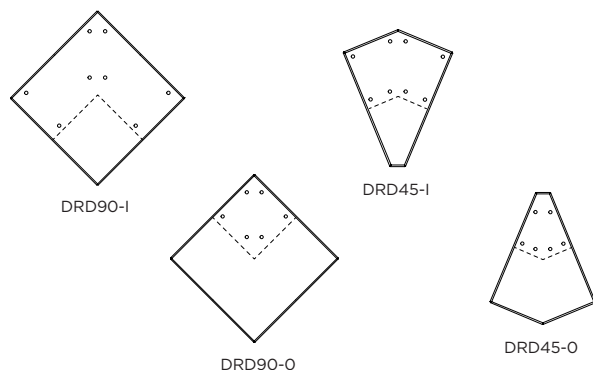
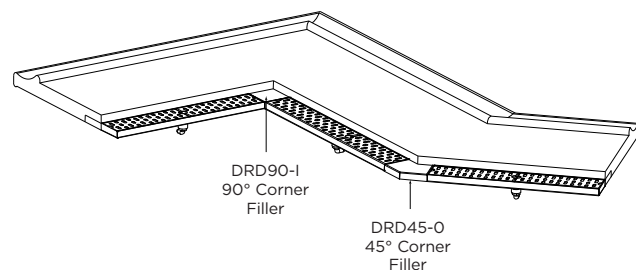
Easily mounts to underbar top, creating a perfect assembly area for the bartender while protecting your valuable bar surface.

Part No.	Width	Ship Wt. (lbs.)	List Price
DRD12	12"	5	\$370.00
DRD18	18"	7	\$422.00
DRD24	24"	9	\$468.00
DRD30	30"	12	\$520.00
DRD36	36"	14	\$566.00
DRD42	42"	16	\$618.00
DRD48	48"	18	\$665.00

Part No.	Angle	Description	List Price
DRD90-I	90°	Corner filler, 90°, inside	\$239.00
DRD45-I	45°	Corner filler, 45°, inside	\$171.00
DRD90-O	90°	Corner filler, 90°, outside	\$239.00
DRD45-O	45°	Corner filler, 45°, outside	\$171.00

Misc. Accessories

Part No.	Description	List Price
1390D	1/2" I.D. vinyl drain tube, antimicrobial	\$3.00 /ft



DRINK RAIL RINSERS

Part No.	Width	Ship Wt. (lbs.)	List Price
DRR6	6"	7	\$803.00

SERVICE STATION DROP-IN DRAINERS

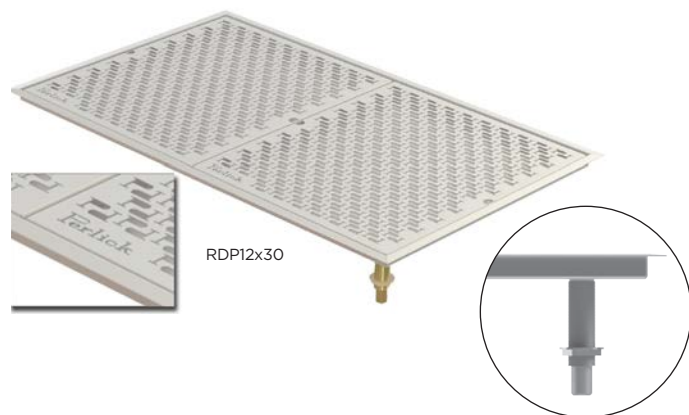
Service station drop-in drainers provide a flush mounted, draining, stainless steel work surface. Designed for installation into a cut-out opening in the bar.

12" Deep Drop-in Drainers

Part No.	Overall Dimensions	List Price
RDP12x24	12" x 24"	\$672.00
RDP12x30	12" x 30"	\$698.00
RDP12x36	12" x 36"	\$774.00
RDP12x42	12" x 42"	\$851.00
RDP12x48	12" x 48"	\$934.00

18" Deep Drop-in Drainers

Part No.	Overall Dimensions	List Price
RDP18x24	18" x 24"	\$772.00
RDP18x30	18" x 30"	\$892.00
RDP18x36	18" x 36"	\$1,011.00
RDP18x42	18" x 42"	\$1,133.00
RDP18x48	18" x 48"	\$1,250.00



PLUMBING ACCESSORIES

Part No.	Description	List Price
43688A	Water conserving aerator, 0.5 GPM (1.9 L/min), field installed	\$21.00
43688F	Water conserving aerator, 1.5 GPM (5.7 L/min), field installed	\$21.00
43705	Wrist blade handles, pair, field installed (not applicable on TS12HSN)	\$120.00
54965-1	Drain screen for 1-1/2" drain socket	\$8.00
54965-2	Crumb cup for 1-1/2" drain socket	\$8.00
43385R	Basin tubes, pair, 3/8" for deck faucets	\$12.00

TOWEL RING

Part No.	Description	List Price
736B	Towel ring, field installed	\$99.00
736BIN	Towel ring, factory installed	\$99.00

LEG KITS AND FOOT INSERTS

Part No.	Description	List Price
63555	Pair of leg and mounting plates, 17-1/2" to 18-1/2" long	\$102.00
63555-2	Pair of leg and mounting plates, 13-1/2" to 14-1/2" long	\$102.00
63249HR	"High rise" foot insert, 3" height adjustment	\$51.00
63247	"Flanged foot" insert, 1" height adjustment	\$29.00
7860-18A	Leg kit, (4) 6" - 7" w/3" square mounting flange	\$244.00

CONNECTOR KIT

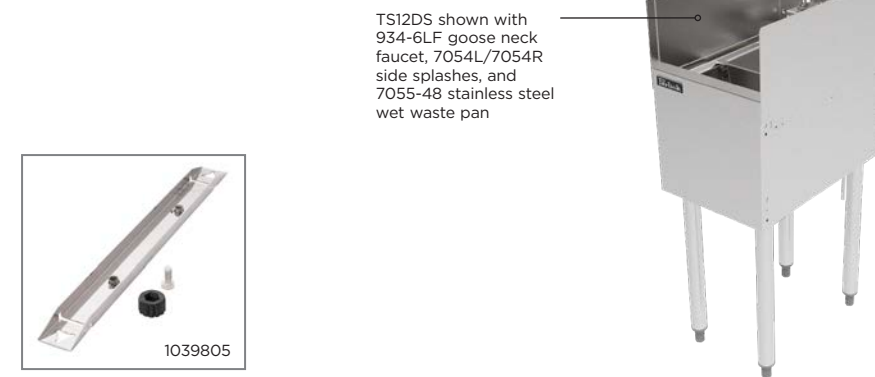
Part No.	Description	List Price
7055-45	Underbar field connection kit	\$22.00

WET WASTE PANS

Part No.	Description	List Price
7055-52	Perforated wet waste pan for 12" and 14" blenders, clear plastic, 2.7 quart	\$105.00
7055-48	Perforated wet waste pan for 18" blender, stainless steel, 7 quart	\$185.00
7055A46	Wet waste pan - drains into standpipe	\$183.00

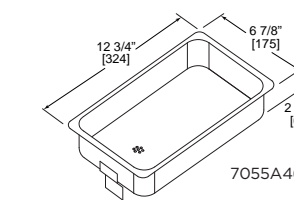
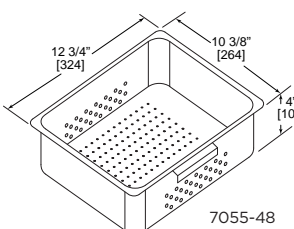
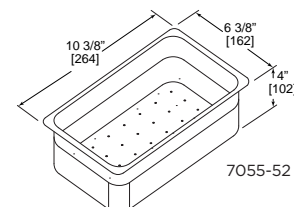
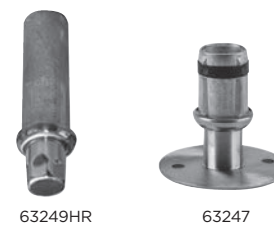
SIDE SPLASH GUARDS

Part No.	Description	List Price
7054L	Side splash guard, left, TS and TSD applications	\$225.00
7054R	Side splash guard, right, TS and TSD applications	\$225.00
7054SL	Side splash guard, left, TSS applications	\$378.00
7054SR	Side splash guard, right, TSS applications	\$378.00



ACCESSORY PERLICK FLEX MOUNT LEG RELOCATION KIT

Part No.	Description	List Price
1039805	Perlick Flex Mount Leg Relocation Kit, includes rail, bolt, and tightening knob, for NEW TSF Series Equipment	\$100.00



ACCESS CUTOUTS FOR TS SERIES

Part No.	Description	List Price
7055-265A*	Backsplash cutout for soda lines	\$281.00

* Not applicable on TSD or modular bar



7055-265A
Backsplash cutout
for soda lines



BLENDER PLATFORMS

Part No.	Width	Description	List Price
7055-118	12"	Blender platform with one junction box and duplex outlet	\$439.00
7055-119	18"	Blender platform with two junction boxes and duplex outlets	\$487.00
7055-124	24"	Blender platform with two junction boxes and duplex outlets	\$557.00



TS24M2 shown with
7055-124 blender platform

BOTTLE OPENER/CAP RECEIVER & WASTE RECEPTACLE

Part No.	Description	List Price
7055-50	Bottle opener and cap receiver, field installed	\$176.00
7055-50IN	Bottle opener and cap receiver, factory installed	\$176.00



7055-50



PERLICK COLUMN WINE RESERVES

Go vertical to find space to expand your wine offering

HIGH CAPACITY, SMALL FOOTPRINT

Don't let limited square footage limit your wine list. By expanding up, you'll have plenty of space to create an impressive offering of fine vintages.

- **Precise temperature and dynamic humidity controls** ensure ideal conditions for proper maturation
- **Carbon air filtration keeps air purified** and free from damaging odors
- **Stainless interior for maximum durability** and restaurant-standard cleanliness
- **Triple-pane UV glass door protects wine from light** exposure that can cause oxidation
- **Environmentally friendly** hydrocarbon refrigeration system reduces your carbon footprint by up to 99%
- **84" tall, 24" x 24" footprint provides high capacity wine storage** in a compact space
- **Single and dual-zone models available**
- **Programmable blue and white LED interior lighting** with slow fade effect for on and off setting



PerliQ - State-of-the-art digital touch screen provides precise control over all wine column functions.



Convertible Display Shelf - In display mode, it showcases your finest vintages. In standard flat mode, it maximizes storage capacity.

BASE MODELS

Choose between all black, all stainless, or factory laminated exterior options. Interior of cabinet is all stainless steel with a galvanized steel back. Includes choice of white or blue LED light, left or right compressor location, door lock, and is ANSI/NSF#7-certified for open food storage. Comes with a 5 year compressor and 1 year parts and labor warranty.



SINGLE DOOR (36" Long x 24-3/4" Deep x 34-9/16" High)

Part No.	Net Capacity	Amps	HP	List Price
BBS36	7.4 cu. ft.	1.8	1/6	\$6,799.00

THREE DOOR (84" Long x 24-3/4" Deep x 34-9/16" High)

Part No.	Net Capacity	Amps	HP	List Price
BBS84	24.8 cu. ft.	4.2	1/4	\$12,374.00

TWO DOOR (60" Long x 24-3/4" Deep x 34-9/16" High)

Part No.	Net Capacity	Amps	HP	List Price
BBS60	16.0 cu. ft.	2.5	1/5	\$10,853.00

FOUR DOOR (108" Long x 24-3/4" Deep x 34-9/16" High)

Part No.	Net Capacity	Amps	HP	List Price
BBS108	33.5 cu. ft.	4.2	1/4	\$14,900.00



CUSTOMER OPTIONS

Each cabinet is configured specifically to the customer's request. The following is pricing on each individual option.

TEMPERATURE OPTION

Model No.	Refrigerator Temp.	Wine Temp.
ALL MODELS	<i>no charge</i>	\$170.00

* Wine temperature not approved for open food storage

EXTERIOR FINISH COLOR (No charge)

Coming Soon

- ALL BLACK**
Black vinyl top, sides, condensing cover and doors, with black PVD coated stainless steel handles
- STAINLESS STEEL**
Stainless steel top, sides, condensing cover and doors
- FACTORY LAMINATED***
Select your favorite option from 13 different laminate manufacturers, including Wilson Art, Treefrong, Lab Design, Fermica, Decostone, and more! *Laminate option to be specified with customer service after order is submitted.*

TOP TYPE

Choose dispensing kits to pair with any back bar refrigerator. BBS units can have tapping holes drilled in factory or left for field drilling. Pricing for laminate reflects labor charge to install selected laminate type; additional charges will apply based on material selection.

# of Doors	No Tapping (Standard)	Tapping Included	Factory Laminated*
1	<i>no charge</i>	<i>no charge</i>	\$2,689.00
2	<i>no charge</i>	<i>no charge</i>	\$4,705.00
3	<i>no charge</i>	<i>no charge</i>	\$6,848.00
4	<i>no charge</i>	<i>no charge</i>	\$9,121.00

DOOR TYPE (All models - per door)

Specify the door type beginning from left to right and indicate left or right hinging. For laminated doors, provide your laminate choice by indicating the manufacturer's name and the number and description of the laminate. *Prices listed are for labor to install selected laminate only.*

Finish	Coming Soon	List Price
Solid		<i>no charge</i>
Glass		\$542.00
Refrigerator drawers		\$1,855.00
Wine drawers		\$1,974.00
Liquor drawers		\$2,127.00

LED LIGHT OPTION

Model No.	White LED	Light Blue LED
ALL MODELS	<i>no charge</i>	\$139.00

HANDLE OPTIONS (All models)

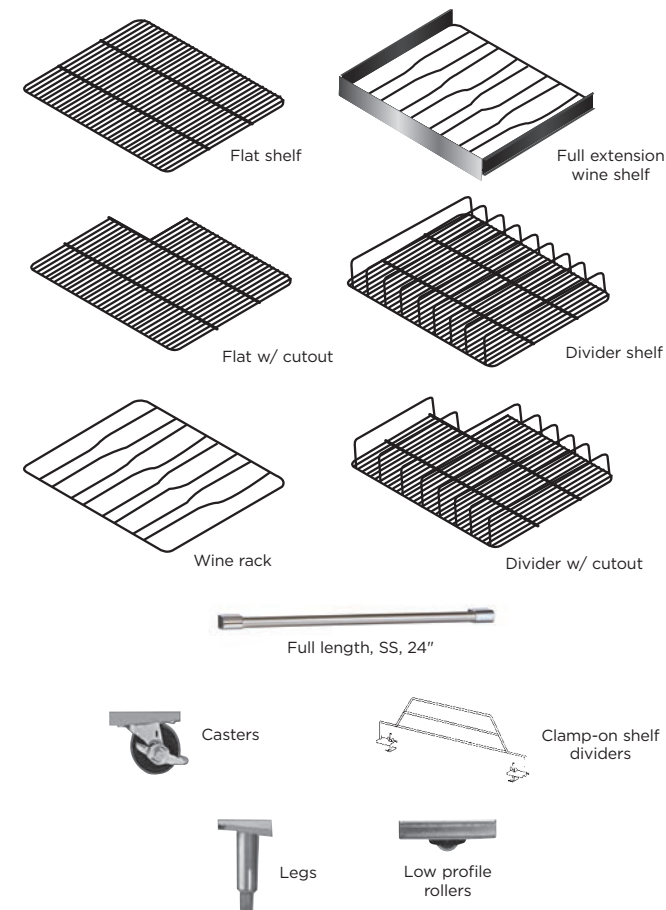
Handle Type	List Price
Full length, stainless steel, 24", door	<i>no charge</i>
Full length, stainless steel, 16", drawer	<i>no charge</i>

FINISHED ENDS (Optional - all models)

End Style	List Price
Match exterior finish - left or right	\$410.00
Match exterior finish - both	\$820.00

SHELVING STYLES (All models - per door)

Shelving Style	List Price
Flat shelving	<i>no charge</i>
Flat with cutout for floor access	<i>no charge</i>
Divider shelves	\$117.00
Divider with cutout for floor access	\$117.00
Wine racks	\$126.00
Full extension wine shelves (set of 6) (69508)	\$2,495.00



SECOND YEAR EXTENDED PARTS AND LABOR WARRANTY

Part No.	Description	Net Price
730	Second year extended parts and labor warranty	\$500.00

ADDITIONAL ACCESSORIES

Accessory (Part No.)	BBS36	List	BBS60	List	BBS84	List	BBS108	List
4" leg and black front baseplate	68704-36	\$410.00	68704-60	\$446.00	68704-84 (Set of 6)	\$501.00	68704-108 (Set of 6)	\$658.00
4" black end baseplate	68704-22	\$175.00	68704-22	\$175.00	68704-22	\$175.00	68704-22	\$175.00
6" leg and black front baseplate	68703-36	\$446.00	68703-60	\$470.00	68703-84 (Set of 6)	\$523.00	68703-108 (Set of 6)	\$680.00
6" black end baseplate	68703-22	\$180.00	68703-22	\$180.00	68703-22	\$180.00	68703-22	\$180.00
Casters 3-3/4"	57786	\$180.00	57786	\$180.00	57787 (Set of 6)	\$264.00	57787 (Set of 6)	\$264.00
Casters 2-7/8"	67061	\$222.00	67061	\$222.00	67062 (Set of 6)	\$312.00	67062 (Set of 6)	\$312.00
Casters 6-1/8"	57784	\$282.00	57784	\$282.00	57785 (Set of 6)	\$423.00	57785 (Set of 6)	\$423.00
Low profile rollers 1-5/8"	63771A	\$538.00	63771A	\$538.00	63771A-2 (Set of 6)	\$795.00	63771A-2 (Set of 6)	\$795.00
Legs 4" - 5-3/4"	57933	\$238.00	57933	\$238.00	57934 (Set of 6)	\$338.00	57934 (Set of 6)	\$338.00
Legs 6" - 7-1/2"	57782	\$255.00	57782	\$255.00	57783 (Set of 6)	\$372.00	57783 (Set of 6)	\$372.00
Legs 6" - 9"	67075	\$302.00	67075	\$302.00	67076 (Set of 6)	\$444.00	67076 (Set of 6)	\$444.00
Clamp-on shelf dividers	C5090-48BL	\$112.00	C5090-48BL	\$112.00	C5090-48BL	\$112.00	C5090-48BL	\$112.00
Floor access (must select cutout shelving listed above)	63054	\$745.00	63054	\$745.00	63054	\$745.00	63054	\$745.00

See page 78 for dispensing heads and tapping accessories for back bar cabinets.

BASE MODEL

Choose between all black, all stainless, or factory laminated exterior options. Interior of cabinet is all stainless steel with a galvanized steel back. Can be set to two separate temperatures (one per door), perfect for storing red and white wine at their appropriate temperatures. Includes choice of white or blue LED light, left or right compressor location, door lock, and is ANSI/NSF#7-certified for open food storage. Comes with a 5 year compressor and 1 year parts and labor warranty.



SINGLE DOOR (36" Long x 24-3/4" Deep x 34-9/16" High)

Part No.	Net Capacity	Amps	HP	List Price
DZS36	7.1 cu. ft.	1.8	1/6	\$9,330.00

TWO DOOR (60" Long x 24-3/4" Deep x 34-9/16" High)

Part No.	Net Capacity	Amps	HP	List Price
DZS60	15.0 cu. ft.	2.5	1/5	\$12,182.00



CUSTOMER OPTIONS

Each cabinet is configured specifically to the customer's request. The following is pricing on each individual option.

TEMPERATURE OPTION

Settings	List Price
Refrigerator - wine (red) [36°F to 60°F]	<i>no charge</i>
Refrigerator - wine (white) [36°F to 45°F]	<i>no charge</i>
Wine (white) - wine (red) [45°F to 60°F]	<i>no charge</i>

* Wine temperature not approved for open food storage

EXTERIOR FINISH COLOR (No charge)

Coming Soon

- ALL BLACK**
Black vinyl top, sides, condensing cover and doors, with black PVD coated stainless steel handles
- STAINLESS STEEL**
Stainless steel top, sides, condensing cover and doors
- FACTORY LAMINATED***
Select your favorite option from 13 different laminate manufacturers, including Wilson Art, Treefrong, Lab Design, Fermica, Decostone, and more! **Laminate option to be specified with customer service after order is submitted.**

TOP TYPE

Choose dispensing kits to pair with any dual zone unit. DZS units can 36 units are dispensing only, choose one dispensing kit per zone. Pricing for laminate reflects labor charge to install selected laminate type; additional charges will apply based on material selection.

# of Doors/ Part No.	No Tapping (Standard)	Tapping Included	Factory Laminated*
1 - DZS36	<i>no charge</i>	<i>no charge</i>	\$2,689.00
2 - DZS60	<i>no charge</i>	<i>no charge</i>	\$4,705.00

DOOR TYPE (All models - per door)

Specify the door type beginning from left to right and indicate left or right hinging. For laminated doors, provide your laminate choice by indicating the manufacturer's name and the number and description of the laminate. **Prices listed are for labor to install selected laminate only.**

Finish	Coming Soon	List Price
Solid		<i>no charge</i>
Glass		\$542.00
Refrigerator drawers		\$1,855.00
Wine drawers		\$1,974.00

LED LIGHT OPTION (DZS60 only)

Model No.	White LED	Blue LED
ALL MODELS	<i>no charge</i>	\$139.00

HANDLE OPTIONS (All models)

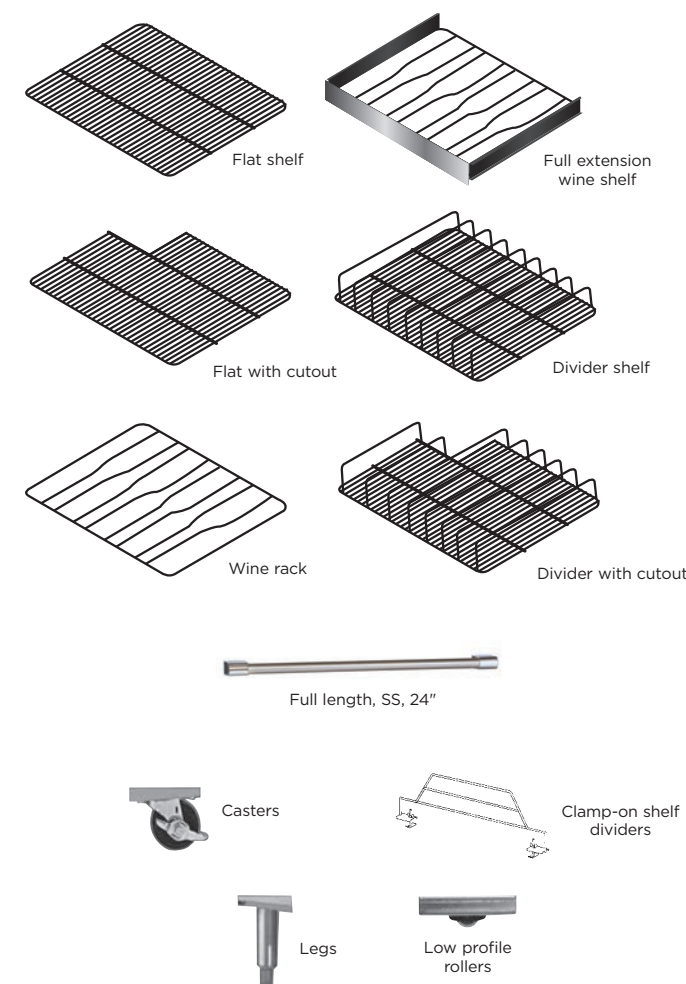
Handle Type	List Price
Full length, stainless steel, 24", door	<i>no charge</i>
Full length, stainless steel, 16", drawer	<i>no charge</i>
Stainless steel 12", door	<i>no charge</i>

FINISHED ENDS (Optional - all models)

End Style	List Price
Match exterior finish - left or right	\$410.00
Match exterior finish - both	\$820.00

SHELVING STYLES (All models - per door) (DZS60 ONLY)

Shelving Style	List Price
Flat shelving	<i>no charge</i>
Flat with cutout for floor access	<i>no charge</i>
Divider shelves	\$117.00
Divider with cutout for floor access	\$117.00
Wine racks	\$126.00
Full extension wine shelves (Set of 6)	\$2,495.00



SECOND YEAR EXTENDED PARTS AND LABOR WARRANTY

Part No.	Description	Net Price
730	Second year extended parts and labor warranty	\$500.00

ADDITIONAL ACCESSORIES

Accessory	Part No.	DZS36	DZS60
4" leg and black front baseplate	68704-36	\$410.00	\$446.00
4" black end baseplate	68704-22	\$175.00	\$175.00
6" leg and black front baseplate	68703-36	\$446.00	\$470.00
6" black end baseplate	68703-22	\$180.00	\$180.00
Casters 3-3/4"	57786	\$180.00	\$180.00
Casters 2-7/8"	67061	\$222.00	\$222.00
Casters 6-1/8"	57784	\$282.00	\$282.00
Low profile rollers 1-5/8"	63771A	\$538.00	\$538.00
Legs 4"- 5-3/4"	57933	\$238.00	\$238.00
Legs 6"- 7-1/2"	57782	\$255.00	\$255.00
Legs 6"- 9"	67075	\$302.00	\$302.00
Clamp-on shelf dividers	C5090-48BL	\$112.00	\$112.00
Floor access (must select cutout shelving listed above)	63054	N/A	\$745.00

See page 78 for dispensing heads and tapping accessories for back bar cabinets.

LOW-HEIGHT 29" SINGLE-ZONE CABINETS WITH SELF-CONTAINED REFRIGERATION

BASE MODELS

Choose between all black, all stainless, or factory laminated exterior options. Interior of cabinet is all stainless steel with a galvanized steel back. Includes choice of white or blue LED light, left or right compressor location, door lock, and is ANSI/NSF#7-certified for open food storage. Comes with a 5 year compressor and 1 year parts and labor warranty.



SINGLE DOOR (36" Long x 24-3/4" Deep x 29" High)

Part No.	Net Capacity	Amps	HP	List Price
BBSLP36	6.2	1.8	1/6	\$6,664.00

TWO DOOR (60" Long x 24-3/4" Deep x 29" High)

Part No.	Net Capacity	Amps	HP	List Price
BBSLP60	13.3	2.5	1/5	\$10,638.00

THREE DOOR (84" Long x 24-3/4" Deep x 29" High)

Part No.	Net Capacity	Amps	HP	List Price
BBSLP84	20.7	4.2	1/4	\$12,126.00

FOUR DOOR (108" Long x 24-3/4" Deep x 29" High)

Part No.	Net Capacity	Amps	HP	List Price
BBSLP108	27.9	4.2	1/4	\$14,603.00



CUSTOMER OPTIONS

Each cabinet is configured specifically to the customer's request. The following is pricing on each individual option.

TEMPERATURE OPTION

Model No.	Refrigerator Temp.	Wine Temp.
ALL MODELS	<i>no charge</i>	\$170.00

* Wine temperature not approved for open food storage

EXTERIOR FINISH COLOR (No charge)

Coming Soon

- ALL BLACK**
Black vinyl top, sides, condensing cover and doors, with black PVD coated stainless steel handles
- STAINLESS STEEL**
Stainless steel top, sides, condensing cover and doors
- FACTORY LAMINATED***
Select your favorite option from 13 different laminate manufacturers, including Wilson Art, Treefrong, Lab Design, Fermica, Decostone, and more! **Laminate option to be specified with customer service after order is submitted.**

TOP TYPE

Pricing for laminate reflects labor charge to install selected laminate type; additional charges will apply based on material selection.

# of Doors	No Tapping (Standard)	Tapping Included	Factory Laminated*
1	<i>no charge</i>	<i>no charge</i>	\$2,689.00
2	<i>no charge</i>	<i>no charge</i>	\$4,705.00
3	<i>no charge</i>	<i>no charge</i>	\$6,848.00
4	<i>no charge</i>	<i>no charge</i>	\$9,121.00

DOOR TYPE (All models - per door)

Specify the door type beginning from left to right and indicate left or right hinging. For laminated doors, provide your laminate choice by indicating the manufacturer's name and the number and description of the laminate. **Prices listed are for labor to install selected laminate only.**

Finish	Coming Soon	List Price
Solid		<i>no charge</i>
Glass		\$542.00

LED LIGHT OPTION

Model No.	White LED	Blue LED
ALL MODELS	<i>no charge</i>	\$139.00

LOW-HEIGHT 29" SINGLE-ZONE CABINETS WITH SELF-CONTAINED REFRIGERATION

HANDLE OPTIONS (All models)

Handle Type	List Price
Full length, stainless steel, 24", door	<i>no charge</i>

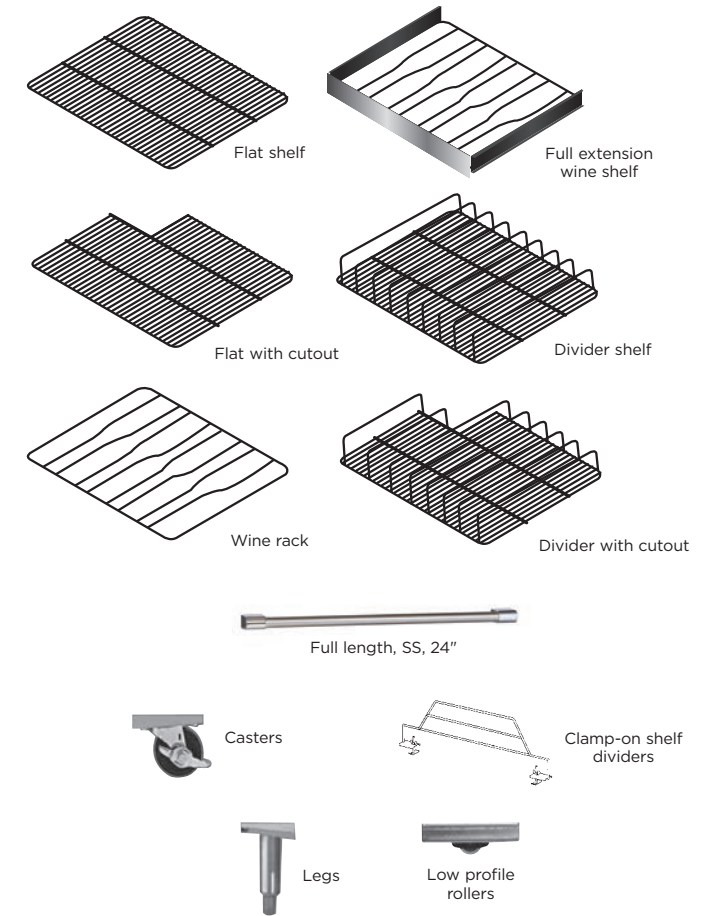
FINISHED ENDS (Optional - all models)

End Style	List Price
Match exterior finish - left or right	\$410.00
Match exterior finish - both	\$820.00

SHELVING STYLES (All models - per door)

Shelving style	List Price
Flat shelving	<i>no charge</i>
Flat with cutout for floor access	<i>no charge</i>
Divider shelves	\$117.00
Divider with cutout for floor access*	\$117.00
Wine racks	\$126.00
Full extension wine shelves (set of 4)	\$1,634.00

* Not available on 36" unit



SECOND YEAR EXTENDED PARTS AND LABOR WARRANTY

Part No.	Description	Net Price
730	Second year extended parts and labor warranty	\$500.00

ADDITIONAL ACCESSORIES

Accessory (Part No.)	BBSLP36	List	BBSLP60	List	BBSLP84	List	BBSLP108	List
4" leg and black front baseplate	68704-36	\$410.00	68704-60	\$446.00	68704-84 (Set of 6)	\$501.00	68704-108 (Set of 6)	\$658.00
4" black end baseplate	68704-22	\$175.00	68704-22	\$175.00	68704-22	\$175.00	68704-22	\$175.00
6" leg and black front baseplate	68703-36	\$446.00	68703-60	\$470.00	68703-84 (Set of 6)	\$523.00	68703-108 (Set of 6)	\$680.00
6" black end baseplate	68703-22	\$180.00	68703-22	\$180.00	68703-22	\$180.00	68703-22	\$180.00
Casters 3-3/4"	57786	\$180.00	57786	\$180.00	57787 (Set of 6)	\$264.00	57787 (Set of 6)	\$264.00
Casters 2-7/8"	67061	\$222.00	67061	\$222.00	67062 (Set of 6)	\$312.00	67062 (Set of 6)	\$312.00
Casters 6-1/8"	57784	\$282.00	57784	\$282.00	57785 (Set of 6)	\$423.00	57785 (Set of 6)	\$423.00
Low profile rollers 1-5/8"	63771A	\$538.00	63771A	\$538.00	63771A-2 (Set of 6)	\$795.00	63771A-2 (Set of 6)	\$795.00
Legs 4"- 5-3/4"	57933	\$238.00	57933	\$238.00	57934 (Set of 6)	\$338.00	57934 (Set of 6)	\$338.00
Legs 6"- 7-1/2"	57782	\$255.00	57782	\$255.00	57783 (Set of 6)	\$372.00	57783 (Set of 6)	\$372.00
Legs 6"- 9"	67075	\$302.00	67075	\$302.00	67076 (Set of 6)	\$444.00	67076 (Set of 6)	\$444.00
Anti tip casters (one drawer) 3-3/4"	57786AT	\$180.00	N/A	-	N/A	-	N/A	-
Anti tip casters (one drawer) 6-1/4"	57784AT	\$282.00	N/A	-	N/A	-	N/A	-
Clamp-on shelf dividers	C5090-48BL	\$112.00	C5090-48BL	\$112.00	C5090-48BL	\$112.00	C5090-48BL	\$112.00
Floor access (must select cutout shelving listed above)	63054	\$745.00	63054	\$745.00	63054	\$745.00	63054	\$745.00

BASE MODELS

Choose between all black, all stainless, or factory laminated exterior options. Interior of cabinet is all stainless steel with a galvanized steel back. Includes choice of white or blue LED light, left or right compressor location, door lock, and is ANSI/NSF#7-certified for open food storage. Comes with a 5 year compressor and 1 year parts and labor warranty.



SINGLE DOOR (32" Long x 24-3/4" Deep x 34-9/16" High)

Part No.	Net Capacity	Amps	HP	List Price
BBSN32	6.0 cu. ft.	1.8	1/6	\$6,526.00

TWO DOOR (52" Long x 24-3/4" Deep x 34-9/16" High)

Part No.	Net Capacity	Amps	HP	List Price
BBSN52	13.3 cu. ft.	2.5	1/5	\$10,282.00

THREE DOOR (72" Long x 24-3/4" Deep x 34-9/16" High)

Part No.	Net Capacity	Amps	HP	List Price
BBSN72	20.6 cu. ft.	4.2	1/4	\$12,489.00

FOUR DOOR (92" Long x 24-3/4" Deep x 34-9/16" High)

Part No.	Net Capacity	Amps	HP	List Price
BBSN92	27.8 cu. ft.	4.2	1/4	\$14,876.00



CUSTOMER OPTIONS

Each cabinet is configured specifically to the customer's request. The following is pricing on each individual option.

TEMPERATURE OPTION

Model No.	Refrigerator Temp.	Wine Temp.
ALL MODELS	no charge	\$170.00

* Wine temperature not approved for open food storage

EXTERIOR FINISH COLOR (No charge)

Coming Soon

- ALL BLACK**
Black vinyl top, sides, condensing cover and doors, with black PVD coated stainless steel handles
- STAINLESS STEEL**
Stainless steel top, sides, condensing cover and doors
- FACTORY LAMINATED***
Select your favorite option from 13 different laminate manufacturers, including Wilson Art, Treefrong, Lab Design, Fermica, Decostone, and more! **Laminate option to be specified with customer service after order is submitted.**

TOP TYPE

Choose dispensing kits to pair with any back bar refrigerator. BBSN units can have tapping holes drilled in factory or left for field drilling. Pricing for laminate reflects labor charge to install selected laminate type; additional charges will apply based on material selection.

# of Doors	No Tapping (Standard)	Tapping Included	Factory Laminated*
1	no charge	no charge	\$2,689.00
2	no charge	no charge	\$4,705.00
3	no charge	no charge	\$6,848.00
4	no charge	no charge	\$9,121.00

DOOR TYPE (All models - per door)

Specify the door type beginning from left to right and indicate left or right hinging. For laminated doors, provide your laminate choice by indicating the manufacturer's name and the number and description of the laminate. **Prices listed are for labor to install selected laminate only.**

Finish	Coming Soon	List Price
Solid		no charge
Glass		\$542.00

LED LIGHT OPTION

Model No.	White LED	Blue LED
ALL MODELS	no charge	\$139.00

HANDLE OPTIONS (All models)

Handle Type	List Price
Full length, stainless steel, 24", door	no charge

FINISHED ENDS (Optional - all models)

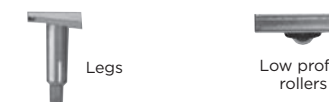
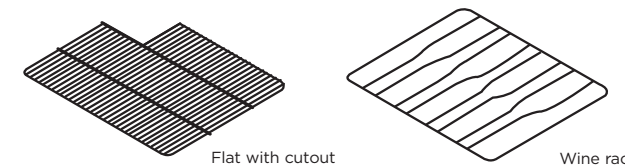
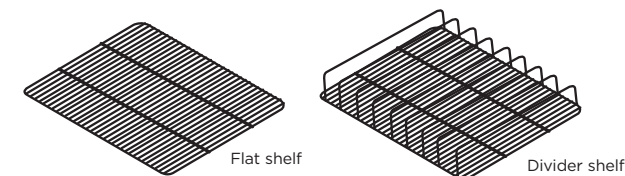
End Style	List Price
Match exterior finish - left or right	\$410.00
Match exterior finish - both	\$820.00

SHELVING STYLES (All models - per door)

Shelving Style	List Price
Flat shelving	no charge
Flat with cutout for floor access	no charge
Divider shelves	\$117.00
Wine racks*	\$126.00

SECOND YEAR EXTENDED PARTS AND LABOR WARRANTY

Part No.	Description	Net Price
730	Second year extended parts and labor warranty	\$500.00



ADDITIONAL ACCESSORIES

Accessory (Part No.)	BBSN32	List	BBSN52	List	BBSN72	List	BBSN92	List
4" leg and black front baseplate	68704-32	\$410.00	68704-52	\$446.00	68704-72 (Set of 6)	\$478.00	68704-92 (Set of 6)	\$726.00
4" black end baseplate	68704-22	\$175.00	68704-22	\$175.00	68704-22	\$175.00	68704-22	\$175.00
6" leg and black front baseplate	68703-32	\$446.00	68703-52	\$470.00	68703-72 (Set of 6)	\$501.00	68703-92 (Set of 6)	\$751.00
6" black end baseplate	68703-22	\$180.00	68703-22	\$180.00	68703-22	\$180.00	68703-22	\$180.00
Casters 3-3/4"	57786	\$180.00	57786	\$180.00	57787 (Set of 6)	\$264.00	57787 (Set of 6)	\$264.00
Casters 2-7/8"	67061	\$222.00	67061	\$222.00	67062 (Set of 6)	\$312.00	67062 (Set of 6)	\$312.00
Casters 6-1/8"	57784	\$282.00	57784	\$282.00	57785 (Set of 6)	\$423.00	57785 (Set of 6)	\$423.00
Low profile rollers 1-5/8"	63771A	\$538.00	63771A	\$538.00	63771A-2 (Set of 6)	\$795.00	63771A-2 (Set of 6)	\$795.00
Legs 4"- 5-3/4"	57933	\$238.00	57933	\$238.00	57934 (Set of 6)	\$338.00	57934 (Set of 6)	\$338.00
Legs 6"- 7-1/2"	57782	\$255.00	57782	\$255.00	57783 (Set of 6)	\$372.00	57783 (Set of 6)	\$372.00
Legs 6"- 9"	67075	\$302.00	67075	\$302.00	67076 (Set of 6)	\$444.00	67076 (Set of 6)	\$444.00

See page 78 for dispensing heads and tapping accessories for back bar cabinets.

BASE MODELS

Choose between all black, all stainless, or factory laminated exterior options. Interior of cabinet is all stainless steel with a galvanized steel back. Includes choice of white or blue LED light, left or right compressor location, door lock, and is ANSI/NSF#7-certified for open food storage. Comes with a 5 year compressor and 1 year parts and labor warranty.



SDBS60



TWO DOOR (60" Long x 24-3/4" Deep x 34-9/16" High)

Part No.	Net Capacity	Amps	HP	List Price
SDBS60	14.8 cu. ft.	2.5	1/5	\$12,176.00

FOUR DOOR (108" Long x 24-3/4" Deep x 34-9/16" High)

Part No.	Net Capacity	Amps	HP	List Price
SDBS108	30.9 cu. ft.	4.2	1/4	\$18,173.00



SDBS108

CUSTOMER OPTIONS

Each cabinet is configured specifically to the customer's request. The following is pricing on each individual option. All cabinets come with glass sliding doors.

TEMPERATURE OPTION

Model No.	Refrigerator Temp.	Wine Temp.
ALL MODELS	no charge	\$170.00

* Wine temperature not approved for open food storage

EXTERIOR FINISH COLOR (No charge) Coming Soon

- **ALL BLACK**
Black vinyl top, sides, condensing cover and doors
- **STAINLESS STEEL**
Stainless steel top, sides, condensing cover and doors
- **FACTORY LAMINATED***
Select your favorite option from 13 different laminate manufacturers, including Wilson Art, Treefrong, Lab Design, Fermica, Decostone, and more! *Laminate option to be specified with customer service after order is submitted.*

TOP TYPE

# of Doors	No Tapping	Factory Laminated*
2	no charge	\$4,705.00
4	no charge	\$9,121.00

LED LIGHT OPTION

Model No.	White LED	Blue LED
ALL MODELS	no charge	\$139.00

FINISHED ENDS (Optional - all models)

End Style	List Price
Match exterior finish - left or right	\$410.00
Match exterior finish - both	\$820.00

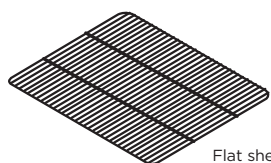
SECOND YEAR EXTENDED PARTS AND LABOR WARRANTY

Part No.	Description	Net Price
730	Second year extended parts and labor warranty	\$500.00

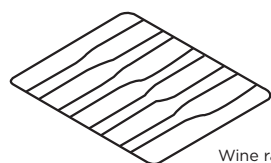
SHELVING STYLES (All models - per door)

Shelving Style	List Price
Flat shelving	no charge
Wine racks*	\$126.00

* Not available for center compartment on 4-door models



Flat shelf



Wine rack

ADDITIONAL ACCESSORIES

Accessory	SDBS60	SDBS108
4" leg and black front baseplate (Set of 6)	\$446.00	\$658.00
4" black end baseplate	\$175.00	\$175.00
6" leg and black front baseplate (Set of 6)	\$470.00	\$680.00
6" black end baseplate	\$180.00	\$180.00
Casters 3-3/4" (Set of 6)	\$180.00	\$264.00
Casters 2-7/8" (Set of 6)	\$222.00	\$312.00
Casters 6-1/8" (Set of 6)	\$282.00	\$423.00
Low profile rollers 1-5/8" (Set of 6)	\$538.00	\$795.00
Legs 4"- 5-3/4" (Set of 6)	\$238.00	\$338.00
Legs 6"- 7-1/2" (Set of 6)	\$255.00	\$372.00
Legs 6"- 9" (Set of 6)	\$302.00	\$444.00
Clamp-on shelf dividers	\$112.00	\$112.00



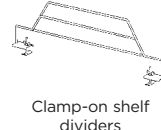
Casters



Legs



Low profile rollers



Clamp-on shelf dividers

BASE MODELS

Choose between all black, all stainless, or factory laminated exterior options. Interior of cabinet is all stainless steel with a galvanized steel back. Includes choice of white or blue LED light, left or right compressor location, door lock, and is ANSI/NSF#7-certified for open food storage. Comes with a 5 year compressor and 1 year parts and labor warranty.



SDPS60



TWO DOOR (60" Long x 26-11/16" Deep x 34-9/16" High)

Part No.	Net Capacity	Amps	HP	List Price
SDPS60	14.8 cu. ft.	2.5	1/5	\$16,787.00

CUSTOMER OPTIONS

Each cabinet is configured specifically to the customer's request. The following is pricing on each individual option. All cabinets come with glass sliding doors.

TEMPERATURE OPTION

Model No.	Refrigerator Temp.	Wine Temp.
ALL MODELS	no charge	\$170.00

* Wine temperature not approved for open food storage

EXTERIOR FINISH COLOR (No charge) Coming Soon

- **ALL BLACK**
Black vinyl top, sides, condensing cover and doors
- **STAINLESS STEEL**
Stainless steel top, sides, condensing cover, and doors
- **FACTORY LAMINATED***
Select your favorite option from 13 different laminate manufacturers, including Wilson Art, Treefrong, Lab Design, Fermica, Decostone and more! *Laminate option to be specified with customer service after order is submitted.*

TOP TYPE

Model No.	Stainless Steel	Factory Laminated*
ALL MODELS	no charge	\$4,705.00

LED LIGHT OPTION

Model No.	White LED	Blue LED
ALL MODELS	no charge	\$139.00

*2 required for pass-thru cabinets

FINISHED ENDS (Optional - all models)

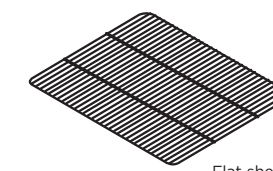
End Style	List Price
Match exterior finish - left or right	\$410.00
Match exterior finish - both	\$820.00

SECOND YEAR EXTENDED PARTS AND LABOR WARRANTY

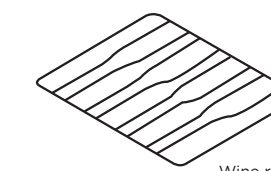
Part No.	Description	Net Price
730	Second year extended parts and labor warranty	\$500.00

SHELVING STYLES (All models - per door)

Shelving Style	List Price
Flat Shelving	no charge
Wine Racks	\$126.00



Flat shelf



Wine rack

ADDITIONAL ACCESSORIES

Accessory		List Price
4" legs and stainless steel baseplates	68704P-60	\$658.00
6" legs and stainless steel baseplates	68703P-60	\$672.00
Legs 4"- 5-3/4"	57933	\$238.00
Legs 6"- 7-1/2"	57782	\$255.00
Legs 6"- 9"	67075	\$302.00
Clamp-on shelf dividers	C5090-48BL	\$112.00



Clamp-on shelf dividers



Legs

See page 78 for dispensing heads and tapping accessories for back bar cabinets.

BASE MODELS

Choose between all black, all stainless, or factory laminated exterior options. Interior of cabinet is all stainless steel with a galvanized steel back. Includes choice of white or blue LED light, left or right compressor location, door lock, and is ANSI/NSF#7-certified for open food storage. Includes a 5 year compressor and 1 year parts and labor warranty.



TWO DOOR (36" Long x 26-11/16" Deep x 34-9/16" High)

Part No.	Net Capacity	Amps	HP	List Price
PTS36	8.0 cu. ft.	1.8	1/6	\$8,327.00

FOUR DOOR (60" Long x 26-11/16" Deep x 34-9/16" High)

Part No.	Net Capacity	Amps	HP	List Price
PTS60	17.4 cu. ft.	2.5	1/5	\$13,971.00

SIX DOOR (84" Long x 26-11/16" Deep x 34-9/16" High)

Part No.	Net Capacity	Amps	HP	List Price
PTS84	26.7 cu. ft.	4.2	1/4	\$16,974.00



PTS36



PTS60



PTS84

CUSTOMER OPTIONS

Each cabinet is configured specifically to the customer's request. The following is pricing on each individual option.

TEMPERATURE OPTION

Model No.	Refrigerator Temp.	Wine Temp.
ALL MODELS	<i>no charge</i>	\$170.00

* Wine temperature not approved for open food storage

EXTERIOR FINISH COLOR (No charge)

Coming Soon

- **ALL BLACK**
Black vinyl top, sides, condensing cover and doors with black PVD coated stainless steel handles
- **STAINLESS STEEL**
Stainless steel top, sides, condensing cover, and doors
- **FACTORY LAMINATED***
Select your favorite option from 13 different laminate manufacturers, including Wilson Art, Treefrong, Lab Design, Fermica, Decostone, and more! **Laminate option to be specified with customer service after order is submitted.**

TOP TYPE

# of Doors	No Tapping (Standard)	Tapping Included	Factory Laminated*
2	<i>no charge</i>	<i>no charge</i>	\$2,689.00
4	<i>no charge</i>	<i>no charge</i>	\$4,705.00
6	<i>no charge</i>	<i>no charge</i>	\$6,848.00

DOOR TYPE (Front and rear, all models - specify left or right hinge, per door)

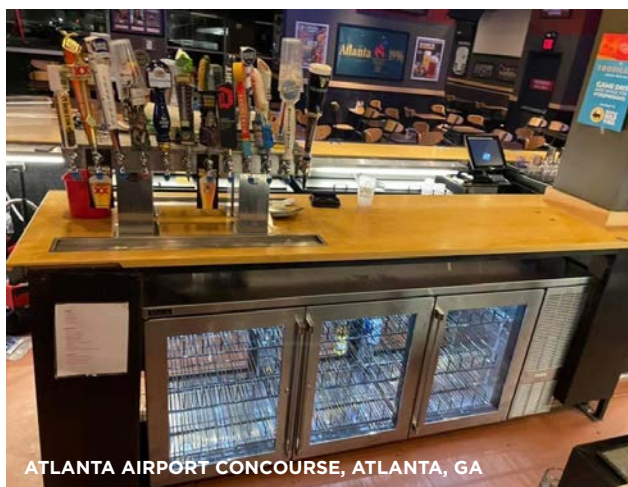
Prices listed are for labor to install selected laminate only.

Finish	Coming Soon	List Price
Solid		<i>no charge</i>
Glass		\$542.00

LED LIGHT OPTION

Model No.	White LED	Blue LED
ALL MODELS	<i>no charge</i>	\$139.00

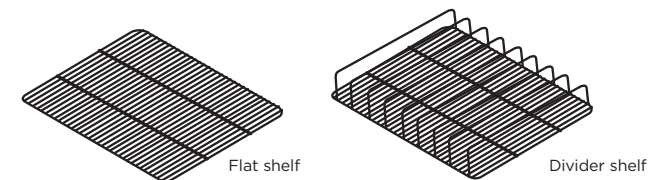
*2 required for Pass-thru cabinets



ATLANTA AIRPORT CONCOURSE, ATLANTA, GA

DOOR HANDLE OPTIONS (Front and rear, all models)

Handle Type	List Price
Full length, stainless steel, 24"	<i>no charge</i>
Stainless steel, 12"	<i>no charge</i>

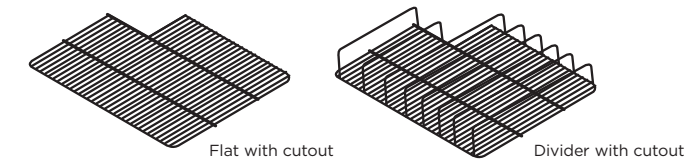


Flat shelf

Divider shelf

FINISHED ENDS (Optional - all models)

End Style	List Price
Match exterior finish - left or right	\$410.00
Match exterior finish - both	\$820.00

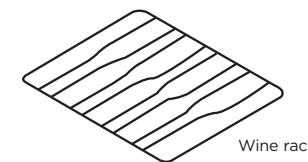


Flat with cutout

Divider with cutout

SHELVING STYLES (All models - per door)

Shelving Style	List Price
Flat shelving	<i>no charge</i>
Flat with cutout for floor access	<i>no charge</i>
Wine racks	\$126.00
Divided shelves	\$117.00



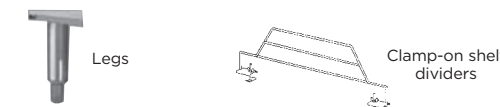
Wine rack



Stainless steel 24"

SECOND YEAR EXTENDED PARTS AND LABOR WARRANTY

Part No.	Description	Net Price
730	Second year extended parts and labor warranty	\$500.00



Legs

Clamp-on shelf dividers

ADDITIONAL ACCESSORIES

Accessory (Part No.)	PTS36	List	PTS60	List	PTS84	List
4" leg and black baseplate (4 sides) Configurator pulls in: 68704-84 (445) + 68704-22 X 2 (310)	68704P-36	\$553.00	68704P-60	\$658.00	68704P-84 (Set of 6)	\$768.00
6" leg and black baseplate (4 sides) Configurator pulls in: 68703-84 (465) + 68703-22 X 2 (318)	68703P-36	\$597.00	68703P-60	\$672.00	68703P-84 (Set of 6)	\$791.00
Legs 4"- 5-3/4"	57933	\$238.00	57933	\$238.00	57934 (Set of 6)	\$338.00
Legs 6"- 7-1/2"	57782	\$255.00	57782	\$255.00	57783 (Set of 6)	\$372.00
Legs 6"- 9"	67075	\$302.00	67075	\$302.00	67076 (Set of 6)	\$444.00
Clamp-on shelf dividers	C5090-48BL	\$112.00	C5090-48BL	\$112.00	C5090-48BL	\$112.00
Floor access (must select cutout shelving listed above)	63054	\$745.00	63054	\$745.00	63054	\$745.00

See page 78 for dispensing heads and tapping accessories for back bar cabinets.

BASE MODELS

Choose between all black, all stainless, or factory laminated exterior options. Interior of cabinet is all stainless steel with a galvanized steel back. Includes choice of white or blue LED light, door lock, and is ANSI/NSF#7-certified for open food storage. Comes with a 1 year parts and labor warranty on all components other than the refrigeration system.



SINGLE DOOR (24" Long x 24-3/4" Deep x 34-9/16" High)

Part No.	Net Capacity	Amps	BTU/Hr	List Price
BBR24	7.0 cu. ft.	1.1	900	\$4,968.00

TWO DOOR (48" Long x 24-3/4" Deep x 34-9/16" High)

Part No.	Net Capacity	Amps	BTU/Hr	List Price
BBR48	15.3 cu. ft.	1.6	1900	\$7,203.00

THREE DOOR (72" Long x 24-3/4" Deep x 34-9/16" High)

Part No.	Net Capacity	Amps	BTU/Hr	List Price
BBR72	23.9 cu. ft.	2.0	2300	\$9,368.00

FOUR DOOR (96" Long x 24-3/4" Deep x 34-9/16" High)

Part No.	Net Capacity	Amps	BTU/Hr	List Price
BBR96	32.6 cu. ft.	2.5	2300	\$11,663.00



CUSTOMER OPTIONS

Each cabinet is configured specifically to the customer's request. The following is pricing on each individual option.

EXPANSION VALVES

Choose between three factory installed expansion valves compatible with a range of refrigerant options:

1539	R134A, R401A, R12
4541	R22, R407A, R407C, R407F, R448A, R449
63552	R404A, R507, R507, R402A
No Expansion Valves	Customer to provide per site conditions

FACTORY INSTALLED THERMOSTAT

Refrigerator Temperature	White Wine Temperature	Red Wine Temperature
<i>no charge</i>	\$170.00	\$170.00

EXTERIOR FINISH COLOR (No charge)

Coming Soon

- ALL BLACK**
Black vinyl top, sides, condensing cover and doors, with black PVD coated stainless steel handles
- STAINLESS STEEL**
Stainless steel top, sides, condensing cover and doors
- FACTORY LAMINATED***
Select your favorite option from 13 different laminate manufacturers, including Wilson Art, Treefrong, Lab Design, Fermica, Decostone, and more! *Laminate option to be specified with customer service after order is submitted.*

DOOR TYPE (All models - per door)

Specify the door type beginning from left to right and indicate left or right hinging. For laminated doors, provide your laminate choice by indicating the manufacturer's name and the number and description of the laminate. *Prices listed are for labor to install selected laminate only.*

Finish	Coming Soon	List Price
Solid		<i>no charge</i>
Glass		\$542.00

TOP TYPE

Pricing for laminate reflects labor charge to install selected laminate type; additional charges will apply based on material selection.

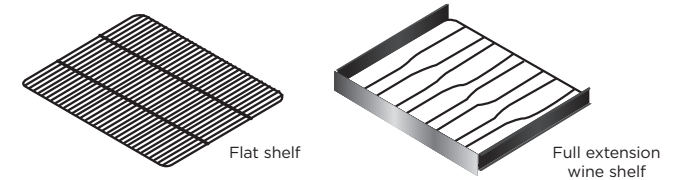
# of Doors	No Tapping (Standard)	Tapping Included	Factory Laminated*
1	<i>no charge</i>	<i>no charge</i>	\$2,689.00
2	<i>no charge</i>	<i>no charge</i>	\$4,705.00
3	<i>no charge</i>	<i>no charge</i>	\$6,848.00
4	<i>no charge</i>	<i>no charge</i>	\$9,121.00

LED LIGHT OPTION

Model No.	White LED	Blue LED
ALL MODELS	<i>no charge</i>	\$139.00

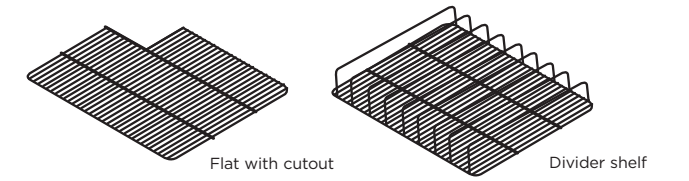
DOOR HANDLE OPTIONS (All models)

Handle Type	List Price
Full length, stainless steel, 24"	<i>no charge</i>
Stainless steel, 12"	<i>no charge</i>



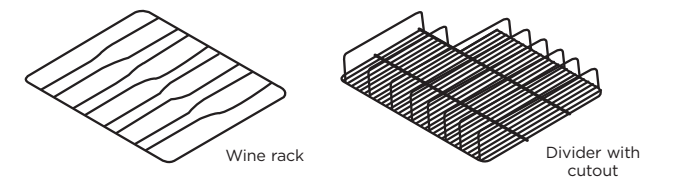
FINISHED ENDS (Optional - all models)

End Style	List Price
Match exterior finish - left or right	\$410.00
Match exterior finish - both	\$820.00



SHELVING STYLES (All models - per door)

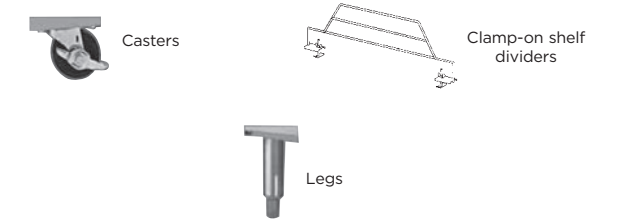
Shelving Style	List Price
Flat shelving	<i>no charge</i>
Flat with cutout for floor access*	<i>no charge</i>
Wine racks	\$126.00
Divided shelves	\$117.00
Divider with cutout for floor access*	\$117.00
Full extension wine shelves (Set of 5)	\$2,495.00



* Not available with BBR24

SECOND YEAR EXTENDED PARTS AND LABOR WARRANTY

Part No.	Description	Net Price
730	Second year extended parts and labor warranty	\$500.00



ADDITIONAL ACCESSORIES

Accessory	BBR24	List	BBR48	List	BBR72	List	BBR96	List
4" leg and black front baseplate	68704-24	\$410.00	68704-48	\$446.00	68704-72	\$478.00	68704-96	\$726.00
4" black end baseplate	68704-22	\$175.00	68704-22	\$175.00	68704-22	\$175.00	68704-22	\$175.00
6" leg and black front baseplate	68703-24	\$446.00	68703-48	\$470.00	68703-72	\$501.00	68703-96	\$751.00
6" black end baseplate	68703-22	\$180.00	68703-22	\$180.00	68703-22	\$180.00	68703-22	\$180.00
Legs 4"- 5-3/4"	57933	\$238.00	57933	\$238.00	57934 (Set of 6)	\$338.00	57934 (Set of 6)	\$338.00
Legs 6"- 7-1/2"	57782	\$255.00	57782	\$255.00	57783 (Set of 6)	\$372.00	57783 (Set of 6)	\$372.00
Legs 6"- 9"	67075	\$302.00	67075	\$302.00	67076 (Set of 6)	\$444.00	67076 (Set of 6)	\$444.00
Clamp-on shelf dividers	C5090-48BL	\$112.00	C5090-48BL	\$112.00	C5090-48BL	\$112.00	C5090-48BL	\$112.00
Floor access (must select cutout shelving listed above)	63054	\$745.00	63054	\$745.00	63054	\$745.00	63054	\$745.00
Right line cover	N/A	-	68646A-48R	\$305.00	68646A-72R	\$305.00	68646A-96R	\$305.00

BASE MODELS

Choose between all black, all stainless, or factory laminated exterior options. Interior of cabinet is all stainless steel with a galvanized steel back. Includes choice of white or blue LED light, door lock, and is ANSI/NSF#7-certified for open food storage. Includes a 1 year parts and labor warranty on all components other than the refrigeration.



TWO DOOR (48" Long x 24-3/4" Deep x 29" High)

Part No.	Net Capacity	Amps	BTU/HR	List Price
BBRLP48	12.6	1.6	1900	\$7,058.00

THREE DOOR (72" Long x 24-3/4" Deep x 29" High)

Part No.	Net Capacity	Amps	BTU/HR	List Price
BBRLP72	19.8	2.0	2300	\$9,184.00

FOUR DOOR (96" Long x 24-3/4" Deep x 29" High)

Part No.	Net Capacity	Amps	BTU/HR	List Price
BBRLP96	27.0	2.5	2300	\$11,430.00



BBRLP48



BBRLP72



BBRLP96

CUSTOMER OPTIONS

Each cabinet is configured specifically to the customer's request. The following is pricing on each individual option.

EXPANSION VALVES

Choose between three factory installed expansion valves compatible with a range of refrigerant options:

1539	R134A, R401A, R12
4541	R22, R407A, R407C, R407F, R448A, R449
63552	R404A, R507, R507, R402A
No Expansion Valves	Customer to provide per site conditions

FACTORY INSTALLED THERMOSTAT

Refrigerator Temperature	White Wine Temperature	Red Wine Temperature
N/A	\$170.00	\$170.00

EXTERIOR FINISH COLOR (No charge)

Coming Soon

- ALL BLACK**
Black vinyl top, sides, condensing cover and doors, with black PVD coated stainless steel handles
- STAINLESS STEEL**
Stainless steel top, sides, condensing cover and doors
- FACTORY LAMINATED***
Select your favorite option from 13 different laminate manufacturers, including Wilson Art, Treefrong, Lab Design, Fermica, Decostone, and more! *Laminate option to be specified with customer service after order is submitted.*

DOOR TYPE (All models - per door)

Specify the door type beginning from left to right and indicate left or right hinging. For laminated doors, provide your laminate choice by indicating the manufacturer's name and the number and description of the laminate. *Prices listed are for labor to install selected laminate only.*

Finish	Coming Soon	List Price
Solid		<i>no charge</i>
Glass		\$542.00

TOP TYPE

Pricing for laminate reflects labor charge to install selected laminate type; additional charges will apply based on material selection.

# of Doors	Stainless Steel	Factory Laminated*
2	<i>no charge</i>	\$4,705.00
3	<i>no charge</i>	\$6,848.00
4	<i>no charge</i>	\$9,121.00

LED LIGHT OPTION

Model No.	White LED	Blue LED
ALL MODELS	<i>no charge</i>	\$139.00

HANDLE OPTIONS (All models)

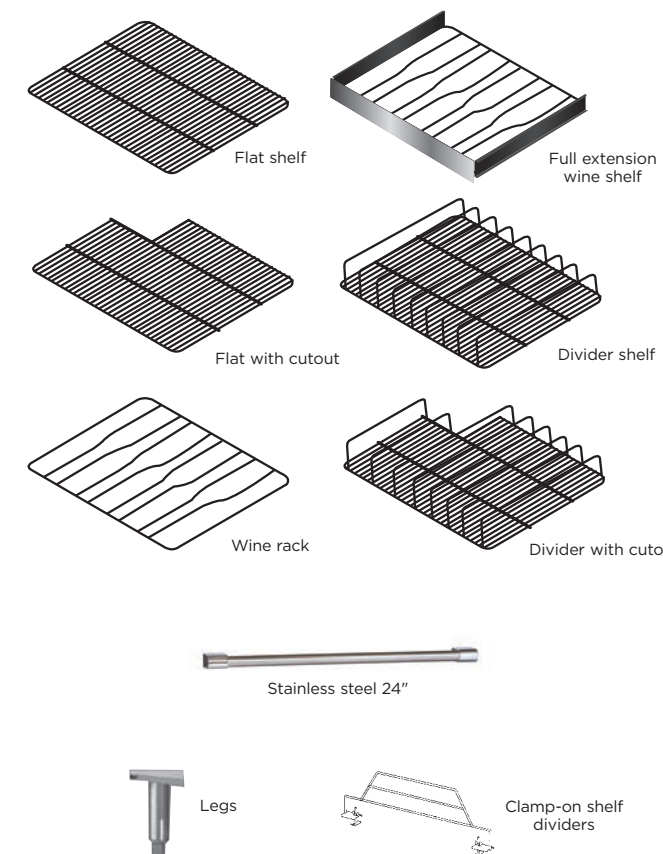
Handle Type	List Price
Full Length, SS, 24", Door	<i>no charge</i>
SS, 12", Door	<i>no charge</i>

FINISHED ENDS (Optional - all models)

End Style	List Price
Match exterior finish - left or right	\$410.00
Match exterior finish - both	\$820.00

SHELVING STYLES (All models - per door)

Shelving Style	List Price
Flat shelving	<i>no charge</i>
Flat with cutout for floor access	<i>no charge</i>
Wine racks	\$126.00
Divider shelves	\$117.00
Divider with cutout for floor access	\$117.00
Full extension wine shelves (Set of 3)	\$1,226.00



SECOND YEAR EXTENDED PARTS AND LABOR WARRANTY

Part No.	Description	Net Price
730	Second year extended parts and labor warranty	\$500.00

ADDITIONAL ACCESSORIES

Accessory (Part No.)	BBRLP48	List	BBRLP72	List	BBRLP96	List
4" leg and black front baseplate	68704-48	\$446.00	68704-72	\$478.00	68704-96	\$726.00
4" black end baseplate	68704-22	\$175.00	68704-22	\$175.00	68704-22	\$175.00
6" leg and black front baseplate	68703-48	\$470.00	68703-72	\$501.00	68703-96	\$751.00
6" black end baseplate	68703-22	\$180.00	68703-22	\$180.00	68703-22	\$180.00
Legs 4"- 5-3/4"	57933	\$238.00	57934 (Set of 6)	\$338.00	57934 (Set of 6)	\$338.00
Legs 6"- 7-1/2"	57782	\$255.00	57783 (Set of 6)	\$372.00	57783 (Set of 6)	\$372.00
Legs 6"- 9"	67075	\$302.00	67076 (Set of 6)	\$444.00	67076 (Set of 6)	\$444.00
Clamp-on shelf dividers	C5090-48BL	\$112.00	C5090-48BL	\$112.00	C5090-48BL	\$112.00
Floor access (must select cutout shelving listed above)	63054	\$745.00	63054	\$745.00	63054	\$745.00
Right line cover	68646A-48R	\$305.00	68646A-72R	\$305.00	68646A-96R	\$305.00

BASE MODELS

Choose between all black, all stainless, or factory laminated exterior options. Interior of cabinet is all stainless steel with a galvanized steel back. Includes choice of white or blue LED light, door lock, and is ANSI/NSF#7-certified for open food storage. Comes with 1 year parts and labor warranty on all components other than the refrigeration system.



TWO DOOR (40" Long x 24-3/4" Deep x 34-9/16" High)

Part No.	Net Capacity	Amps	BTU/Hr	List Price
BBRN40	12.0 cu. ft.	1.6	1900	\$6,845.00

THREE DOOR (60" Long x 24-3/4" Deep x 34-9/16" High)

Part No.	Net Capacity	Amps	BTU/Hr	List Price
BBRN60	19.0 cu. ft.	2.0	2300	\$8,903.00

FOUR DOOR (80" Long x 24-3/4" Deep x 34-9/16" High)

Part No.	Net Capacity	Amps	BTU/Hr	List Price
BBRN80	26.8 cu. ft.	2.5	2300	\$11,079.00



BBRN40



BBRN60



BBRN80

CUSTOMER OPTIONS

Each cabinet is configured specifically to the customer's request. The following is pricing on each individual option.

EXPANSION VALVES

Choose between three factory installed expansion valves compatible with a range of refrigerant options:

1539	R134A, R401A, R12
4541	R22, R407A, R407C, R407F, R448A, R449
63552	R404A, R507, R507, R402A
No Expansion Valves	Customer to provide per site conditions

FACTORY INSTALLED THERMOSTAT

Refrigerator Temperature	White Wine Temperature	Red Wine Temperature
N/A	\$170.00	\$170.00

EXTERIOR FINISH COLOR (No charge)

Coming Soon

- **ALL BLACK**
Black vinyl top, sides, condensing cover and doors, with black PVD coated stainless steel handles
- **STAINLESS STEEL**
Stainless steel top, sides, condensing cover and doors
- **FACTORY LAMINATED***
Select your favorite option from 13 different laminate manufacturers, including Wilson Art, Treefrong, Lab Design, Fermica, Decostone, and more! **Laminate option to be specified with customer service after order is submitted.**

DOOR TYPE (All models - per door)

Specify the door type beginning from left to right and indicate left or right hinging. For laminated doors, provide your laminate choice by indicating the manufacturer's name and the number and description of the laminate. **Prices listed are for labor to install selected laminate only.**

Finish	Coming Soon	List Price
Solid		no charge
Glass		\$542.00

TOP TYPE

Pricing for laminate reflects labor charge to install selected laminate type; additional charges will apply based on material selection.

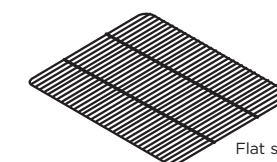
# of Doors	No Tapping (Standard)	Tapping Included	Factory Laminated*
2	no charge	N/A	\$2,689.00
3	no charge	no charge	\$4,705.00
4	no charge	no charge	\$6,848.00

LED LIGHT OPTION

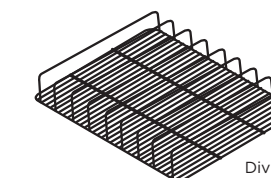
Model No.	White LED	Blue LED
ALL MODELS	no charge	\$139.00

DOOR HANDLE OPTIONS (All models)

Handle Type	List
Full length, stainless steel, 24"	no charge
Stainless steel, 12"	no charge



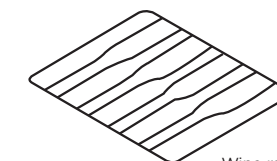
Flat shelf



Divider shelf

FINISHED ENDS (Optional - all models)

End Style	List Price
Match exterior finish - left or right	\$410.00
Match exterior finish - both	\$820.00



Wine rack



Stainless steel 24"

SHELVING STYLES (All models - per door)

Shelving Style	List Price
Flat shelving	no charge
Wine racks	\$126.00
Divided shelves	\$117.00



Legs



Clamp-on shelf dividers

SECOND YEAR EXTENDED PARTS AND LABOR WARRANTY

Part No.	Description	Net Price
730	Second year extended parts and labor warranty	\$500.00

ADDITIONAL ACCESSORIES

Accessory (Part No.)	BBRN40	List	BBRN60	List	BBRN80	List
4" leg and black front baseplate	68704-40	\$410.00	68704-60	\$446.00	68704-80	\$501.00
4" black end baseplate	68704-22	\$175.00	68704-22	\$175.00	68704-22	\$175.00
6" leg and black front baseplate	68703-40	\$446.00	68703-60	\$470.00	68703-80	\$523.00
6" black end baseplate	68703-22	\$180.00	68703-22	\$180.00	68703-22	\$180.00
Legs 4"- 5-3/4"	57933	\$238.00	57934 (Set of 6)	\$338.00	57934 (Set of 6)	\$338.00
Legs 6"- 7-1/2"	57782	\$255.00	57783 (Set of 6)	\$372.00	57783 (Set of 6)	\$372.00
Legs 6"- 9"	67075	\$302.00	67076 (Set of 6)	\$444.00	67076 (Set of 6)	\$444.00
Clamp-on shelf dividers	C5090-48BL	\$112.00	C5090-48BL	\$112.00	C5090-48BL	\$112.00
Floor access (must select cutout shelving listed above)	63054	\$745.00	63054	\$745.00	63054	\$745.00
Right line cover	N/A	-	68646A-60R	\$305.00	68646A-80R	\$305.00

See page 78 for dispensing heads and tapping accessories for back bar cabinets.

BASE MODELS

Choose between all black, all stainless, or factory laminated exterior options. Interior of cabinet is all stainless steel with a galvanized steel back. Includes choice of white or blue LED light, door lock, and is ANSI/NSF#7-certified for open food storage. Comes with 1 year parts and labor warranty on all components other than the refrigeration system.



SDBR48



SDBR96

TWO DOOR (48" Long x 24-3/4" Deep x 34-9/16" High)

Part No.	Net Capacity	Amps	BTU/Hr	List Price
SDBR48	14.8 cu. ft.	1.6	1900	\$8,223.00

FOUR DOOR (96" Long x 24-3/4" Deep x 34-1/2" High)

Part No.	Net Capacity	Amps	BTU/Hr	List Price
SDBR96	30.9 cu. ft.	2.5	2300	\$13,657.00

CUSTOMER OPTIONS

Each cabinet is configured specifically to the customer's request. The following is pricing on each individual option. All cabinets come with glass sliding doors.

EXPANSION VALVES

Choose between three factory installed expansion valves compatible with a range of refrigerant options:

1539	R134A, R401A, R12
4541	R22, R407A, R407C, R407F, R448A, R449
63552	R404A, R507, R507, R402A
No Expansion Valves	Customer to provide per site conditions

FACTORY INSTALLED THERMOSTAT

Refrigerator Temperature	White Wine Temperature	Red Wine Temperature
N/A	\$170.00	\$170.00

EXTERIOR FINISH COLOR (No charge)

Coming Soon

- ALL BLACK**
Black vinyl top, sides, condensing cover and doors, with black PVD coated stainless steel handles
- STAINLESS STEEL**
Stainless steel top, sides, condensing cover and doors
- FACTORY LAMINATED***
Select your favorite option from 13 different laminate manufacturers, including Wilson Art, Treefrong, Lab Design, Fermica, Decostone, and more! *Laminate option to be specified with customer service after order is submitted.*

TOP TYPE

# of Doors	No Tapping	Factory Laminated*
2	no charge	\$4,705.00
4	no charge	\$9,121.00

LED LIGHT OPTION

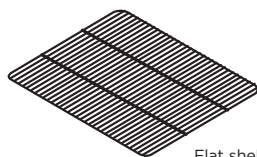
Model No.	White LED	Blue LED
ALL MODELS	no charge	\$139.00

FINISHED ENDS (Optional - all models)

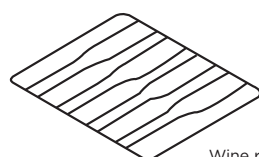
End Style	List Price
Match exterior finish - left or right	\$410.00
Match exterior finish - both	\$820.00

SHELVING STYLES (All models - per door)

Shelving Style	List Price
Flat shelving	no charge
Wine racks	\$126.00



Flat shelf



Wine rack

ADDITIONAL ACCESSORIES

Accessory	SDBR48	SDBR96
4" leg and black front baseplate	\$446.00	\$726.00
4" black end baseplate	\$175.00	\$175.00
6" leg and black front baseplate	\$470.00	\$751.00
6" black end baseplate	\$180.00	\$180.00
Legs 4"- 5-3/4"	\$238.00	\$338.00 (Set of 6)
Legs 6"- 7-1/2"	\$255.00	\$372.00 (Set of 6)
Legs 6"- 9"	\$302.00	\$444.00 (Set of 6)
Clamp-on shelf dividers	\$112.00	\$112.00
Right line cover	\$305.00	\$305.00

SECOND YEAR EXTENDED PARTS AND LABOR WARRANTY

Part No.	Description	Net Price
730	Second year extended parts and labor warranty	\$500.00

BASE MODELS

Choose between all black, all stainless, or factory laminated exterior options. Interior of cabinet is all stainless steel with a galvanized steel back. Includes choice of white or blue LED light, door lock, and is ANSI/NSF#7-certified for open food storage. Comes with 1 year parts and labor warranty on all components other than the refrigeration system.



SDPR48



TWO DOOR (48" Long x 26-11/16" Deep x 34-1/2" High)

Part No.	Net Capacity	Amps	BTU/Hr	List Price
SDPR48	14.1 cu. ft.	1.6	1900	\$12,398.00

CUSTOMER OPTIONS

Each cabinet is configured specifically to the customer's request. The following is pricing on each individual option.

FACTORY INSTALLED THERMOSTAT

Refrigerator Temperature	White Wine Temperature	Red Wine Temperature
N/A	\$170.00	\$170.00

EXPANSION VALVES

Choose between three factory installed expansion valves compatible with a range of refrigerant options:

1539	R134A, R401A, R12
4541	R22, R407A, R407C, R407F, R448A, R449
63552	R404A, R507, R507, R402A
No Expansion Valves	Customer to provide per site conditions

EXTERIOR FINISH COLOR (No charge)

Coming Soon

- ALL BLACK**
Black vinyl top, sides, condensing cover and doors
- STAINLESS STEEL**
Stainless steel top, sides, condensing cover and doors
- FACTORY LAMINATED***
Select your favorite option from 13 different laminate manufacturers, including Wilson Art, Treefrong, Lab Design, Fermica, Decostone, and more! *Laminate option to be specified with customer service after order is submitted.*

TOP TYPE

# of Doors	No Tapping	Factory Laminated*
2	no charge	\$4,705.00

LED LIGHT OPTION

Model No.	White LED	Blue LED
ALL MODELS	no charge	\$139.00*

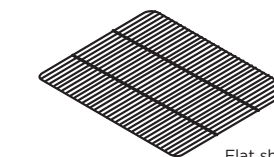
*2 required for Pass-thru cabinets

FINISHED ENDS (Optional - all models)

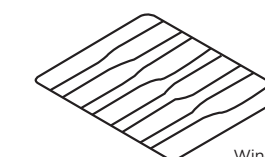
End Style	List Price
Match exterior finish - left or right	\$410.00
Match exterior finish - both	\$820.00

SHELVING STYLES (All models - per door)

Shelving Style	List Price
Flat shelving	no charge
Wine racks	\$126.00



Flat shelf



Wine rack

ADDITIONAL ACCESSORIES

Accessory	Part No.	List Price
4" legs and stainless steel baseplates (4 sides)	68704P-48	\$612.00
6" legs and stainless steel baseplates (4 sides)	68703P-48	\$634.00
Legs 4"- 5-3/4"	57933	\$238.00
Legs 6"- 7-1/2"	57782	\$255.00
Legs 6"- 9"	67075	\$302.00
Clamp-on shelf dividers	C5090-48BL	\$112.00
Right line cover	68646A-96R	\$305.00



Legs



Clamp-on shelf dividers

SECOND YEAR EXTENDED PARTS AND LABOR WARRANTY

Part No.	Description	Net Price
730	Second year extended parts and labor warranty	\$500.00

BASE MODELS

Choose between all black, all stainless, or factory laminated exterior options. Interior of cabinet is all stainless steel with a galvanized steel back. Includes choice of white or blue LED light, door lock, and is ANSI/NSF#7-certified for open food storage. Comes with 1 year parts and labor warranty on all components other than the refrigeration system.

FOUR DOOR (48" Long x 26-11/16" Deep x 34-9/16" High)

Part No.	Net Capacity	Amps	BTU/Hr	List Price
PTR48	16.6 cu. ft.	1.6	1900	\$9,541.00

SIX DOOR (72" Long x 26-11/16" Deep x 34-9/16" High)

Part No.	Net Capacity	Amps	BTU/Hr	List Price
PTR72	25.7 cu. ft.	2.0	2300	\$12,332.00

**CUSTOMER OPTIONS**

Each cabinet is configured specifically to the customer's request. The following is pricing on each individual option.

EXPANSION VALVES

Choose between three factory installed expansion valves compatible with a range of refrigerant options:

1539	R134A, R401A, R12
4541	R22, R407A, R407C, R407F, R448A, R449
63552	R404A, R507, R507, R402A
No Expansion Valves	Customer to provide per site conditions

FACTORY INSTALLED THERMOSTAT

Refrigerator Temperature	White Wine Temperature	Red Wine Temperature
N/A	\$170.00	\$170.00

EXTERIOR FINISH COLOR (No charge)**Coming Soon**

- **ALL BLACK**
Black vinyl top, sides, condensing cover and doors, with black PVD coated stainless steel handles
- **STAINLESS STEEL**
Stainless steel top, sides, condensing cover and doors
- **FACTORY LAMINATED***
Select your favorite option from 13 different laminate manufacturers, including Wilson Art, Treefrong, Lab Design, Fermica, Decostone, and more! **Laminate option to be specified with customer service after order is submitted.**

TOP TYPE

# of Doors	No Tapping (Standard)	Tapping Included	Factory Laminated*
2	no charge	no charge	\$4,705.00
3	no charge	no charge	\$6,848.00

DOOR TYPE

Specify the door type beginning from left to right and indicate left or right hinging. For laminated doors, provide your laminate choice by indicating the manufacturer's name and the number and description of the laminate. **Prices listed are for labor to install selected laminate only.**

Finish	Coming Soon	List Price
Solid		no charge
Glass		\$542.00

LED LIGHT OPTION

Model No.	White LED	Blue LED
ALL MODELS	no charge	\$139.00 *

*2 required for Pass-thru cabinet

DOOR HANDLE OPTIONS (Front and rear - all models)

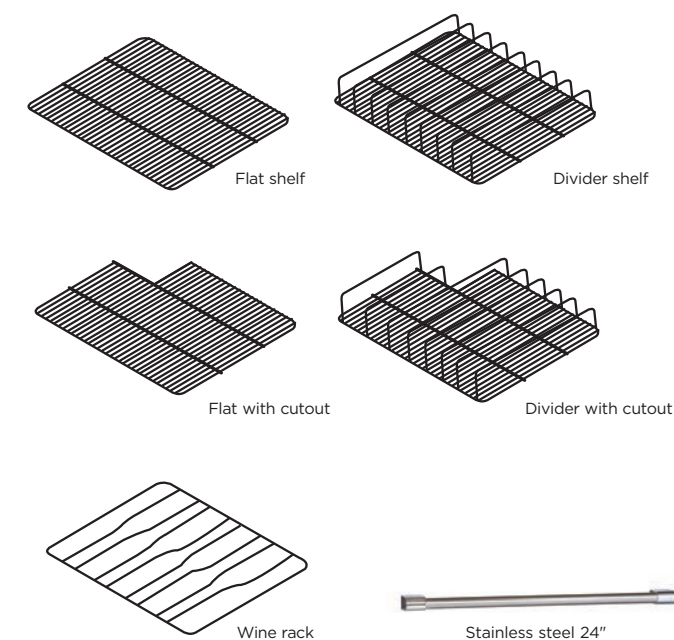
Handle Type	List Price
Full length, stainless steel, 24"	no charge
Stainless steel, 12"	no charge

FINISHED ENDS (Optional - all models)

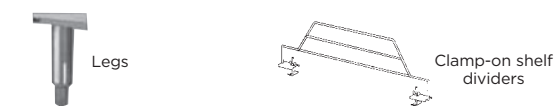
End Style	List Price
Match exterior finish - left or right	\$410.00
Match exterior finish - both	\$820.00

SHELVING STYLES (All models - per door)

Shelving Style	List Price
Flat shelving	no charge
Wine racks	\$126.00
Divided shelves	\$117.00
Divider with cutout for floor access	\$117.00
Flat with cutout for floor access	no charge

**SECOND YEAR EXTENDED PARTS AND LABOR WARRANTY**

Part No.	Description	Net Price
730	Second year extended parts and labor warranty	\$500.00

**ADDITIONAL ACCESSORIES**

Accessory (Part No.)	PTR48	List	PTR72	List
4" leg and black baseplate (4 sides)	68704P-48	\$612.00	68704P-72	\$713.00
6" leg and black baseplate (4 sides)	68703P-48	\$634.00	68703P-72	\$737.00
Legs 4"- 5-3/4"	57933	\$238.00	57934	\$338.00
Legs 6"- 7-1/2"	57782	\$255.00	57783	\$372.00
Legs 6"- 9"	67075	\$302.00	67076	\$444.00
Clamp-on shelf dividers	C5090-48BL	\$112.00	C5090-48BL	\$112.00
Floor access (must select cutout shelving listed above)	63054	\$745.00	63054	\$745.00
Right line cover	68646A-48R	\$305.00	68646A-72R	\$305.00

See page 78 for dispensing heads and tapping accessories for back bar cabinets.

BEER DISPENSING KITS

Components included in beer dispensing kits:



- Dispensing head*
- Drainer
- Faucet(s)
- Air distributor - 1 valve per faucet
- Beer line connector - 1 per faucet
- Air hose - 1 per faucet*
- Air distributor cover
- Beer line/drainer cover
- Air scoop and tubing**
- Air sleeve
- Spanner wrench
- Drainer tubing - 8 ft.
- Silicone
- Hardware and fittings

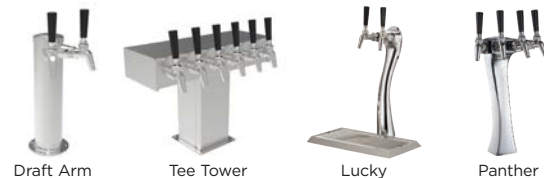
*Note: Keg coupler not included in beer dispensing kits; must order separately. Refer to the Perlick Tapping Price Book or perlick.com.

Part No.	Tower Style/Finish	No. of Faucets	List Price
69526-1DA	Draft Arm/Chrome	1	\$1,203.00
69526-1DATF	Draft Arm/T-F Brass	1	\$1,857.00
69526-2DA	Draft Arm/Chrome	2	\$1,574.00
69526-2DATF	Draft Arm/T-F Brass	2	\$2,366.00
69526-3DA	Draft Arm/Chrome	3	\$1,854.00
69526-3DATF	Draft Arm/T-F Brass	3	\$2,217.00
69526-2TT	Tee Tower/SS	2	\$1,647.00
69526-2TTTF	Tee Tower/T-F Brass	2	\$2,366.00
69526-3TT	Tee Tower/SS	3	\$1,921.00
69526-3TTTF	Tee Tower/T-F Brass	3	\$2,744.00
69526-4TT	Tee Tower/SS	4	\$2,300.00
69526-4TTTF	Tee Tower/T-F Brass	4	\$3,278.00
69526-5TT	Tee Tower/SS	5	\$2,709.00
69526-5TTTF	Tee Tower/T-F Brass	5	\$3,613.00
69526-6TT	Tee Tower/SS	6	\$3,147.00
69526-6TTTF	Tee Tower/T-F Brass	6	\$4,147.00
69526-2N	Napoli/Chrome	2	\$2,434.00
69526-2NTF	Napoli/T-F Brass	2	\$3,131.00
69526-1L	Lucky/Chrome	1	\$1,671.00
69526-1LG	Lucky/Gold	1	\$1,962.00
69526-2L	Lucky/Chrome	2	\$2,118.00
69526-2LG	Lucky/Gold	2	\$2,385.00
69526-3P	Panther/Chrome	3	\$2,893.00
69526-3PG	Panther/Gold	3	\$3,132.00
69526-4P	Panther/Chrome	4	\$3,173.00
69526-4PG	Panther/Gold	4	\$3,397.00
69526-3HA	Havana/Chrome	3	\$3,290.00
69526-4HA	Havana/Chrome	4	\$3,625.00
69526-5HA	Havana/Chrome	5	\$4,225.00
69526-6HA	Havana/Chrome	6	\$4,558.00

** Appropriate air scoop provided when kit is ordered with a refrigeration unit. 1 each included with -R field installed kits.

WINE DISPENSING KITS

Components included in wine dispensing kits:



- Dispensing head*
- Drainer
- Faucets*
- Keg coupler* - 1 per faucet
- Air distributor - 1 valve per faucet
- Wine line connector* - 5 ft., 1 per faucet
- Air hose - 1 per faucet
- Air distributor cover
- Wine line/drainer cover
- Air scoop and tubing**
- Air sleeve
- Spanner wrench
- Drainer tubing - 8 ft.
- Silicone
- Hardware and fittings

*Indicates 304 stainless steel component

Part No.	Tower Style/Finish	No. of Faucets	List Price
69526W-1DA	Draft Arm/Chrome	1	\$1,540.00
69526W-2DA	Draft Arm/Chrome	2	\$2,244.00
69526W-3DA	Draft Arm/Chrome	3	\$2,858.00
69526W-2TT	Tee Tower/SS	2	\$2,319.00
69526W-3TT	Tee Tower/SS	3	\$2,927.00
69526W-4TT	Tee Tower/SS	4	\$3,517.00
69526W-5TT	Tee Tower/SS	5	\$4,383.00
69526W-1L	Lucky/Chrome	1	\$1,946.00
69526W-2L	Lucky/Chrome	2	\$2,666.00
69526W-3P	Panther/Chrome	3	\$3,715.00
69526W-4P	Panther/Chrome	4	\$3,999.00

WINE DISPENSING KITS FOR DZS36 MODEL

Part No.	Tower Style/Finish	No. of Faucets	List Price
67945W-1DA	Draft Arm/Chrome	1	\$1,500.00
67945W-2DA	Draft Arm/Chrome	2	\$1,695.00
67945W-2TT	Tee Tower/SS	2	\$1,782.00
67945W-2L	Lucky/Chrome	2	\$2,125.00

BEER DISPENSING KITS FOR DZS36 MODEL

Part No.	Tower Style/Finish	No. of Faucets	List Price
67945-1DA	Draft Arm/Chrome	1	\$1,150.00
67945-2DA	Draft Arm/Chrome	2	\$1,291.00
67945-2TT	Tee Tower/SS	2	\$1,364.00
67945-2L	Lucky/Chrome	2	\$1,814.00

Note: Cabinets used for dispensing are custom made and cannot be returned for credit.

Part No.	Description	List Price
-R (suffix)	Universal Field Installation Kit	\$72.00

Example: 69526-1DA-R

NITROGEN BEVERAGE DISPENSING KITS

Beverages such as coffee, tea, beer, and others can be infused using the **Perlick Nitro Dispensing Kit**. The **Perlick Dual infuser kit** gives you the capability to dispense two nitrogen infused beverages at the same PSI. Kit allows connection to a tower with up to 4 faucets. Pair with Perlick's superior refrigeration for a durable and reliable dispensing system you can trust.

SINGLE NITROGEN INFUSER KIT

Part No.	List Price
1030849	\$2,930.00

DUAL NITROGEN INFUSER KIT

Part No.	List Price
1030850	\$3,704.00



NITRO DISPENSING KITS

Components included in the nitro dispensing kits are as follows:

- Nitrogen infuser (single or dual)
- Disconnect, ball-lock, for gas (gray) - 4
- Disconnect, ball-lock, for liquid (black) - 4
- Silicone sealant
- Red gas line - 30 ft.
- Beverage tubing - 5
- 6-way air distributor
- Snorkle tubing - 5 ft.
- Bushing
- Air sleeve
- Twin-gauge nitrogen regulator
- Nitro installation instructions
- Mounting template
- Dispensing tower installation instructions
- Tapping parts bag

*Towers, faucets, and refrigeration sold separately.



Dual Infuser Kit (103850) closeup shown



Dual Infuser Kit (103850) installed in an HC24 unit

BASE MODELS

Choose between all black, all stainless, or factory laminated exterior options. Interior of cabinet is all stainless steel with a galvanized steel back. Includes door lock and three vinyl-coated shelves (*per compartment*).

SINGLE DOOR (24" Long x 24-3/4" Deep x 34-9/16" High)

Part No.	Net Capacity	List Price
DB24	7.4 cu. ft.	\$3,130.00

TWO DOOR (48" Long x 24-3/4" Deep x 34-9/16" High)

Part No.	Net Capacity	List Price
DB48	15.3 cu. ft.	\$4,990.00



DB48

CUSTOMER OPTIONS

Each cabinet is configured specifically to the customer's request. The following is pricing on each individual option.

TOP TYPE

Pricing for laminate reflects labor charge to install selected laminate type; additional charges will apply based on material selection.

# of Doors	No Tapping	Factory Laminated*
1	<i>no charge</i>	\$2,689.00
2	<i>no charge</i>	\$4,705.00

EXTERIOR FINISH COLOR (No charge)

Coming Soon

- **ALL BLACK**
Black vinyl top, sides, condensing cover and doors, with black PVD coated stainless steel handles
- **STAINLESS STEEL**
Stainless steel top, sides, condensing cover and doors
- **FACTORY LAMINATED***
Select your favorite option from 13 different laminate manufacturers, including Wilson Art, Treefrong, Lab Design, Fermica, Decostone, and more! **Laminate option to be specified with customer service after order is submitted.**

DOOR HANDLE OPTIONS (All models)

Handle Type	List Price
Full length, stainless steel, 24"	<i>no charge</i>
Stainless steel, 12"	<i>no charge</i>

FINISHED ENDS (Optional - all models)

End Style	List Price
Match exterior finish - left or right	\$410.00
Match exterior finish - both	\$820.00

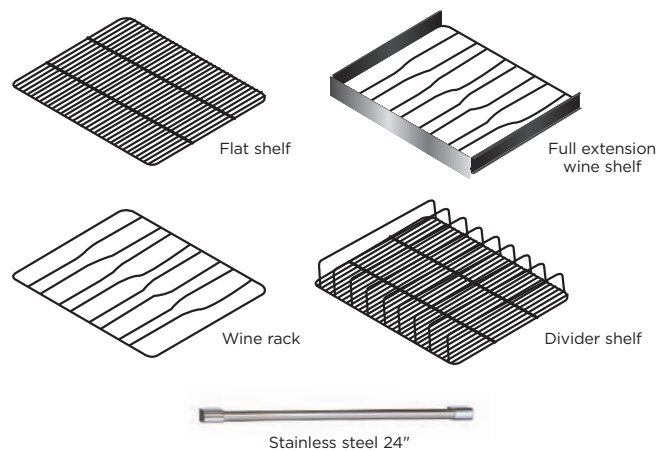
DOOR TYPE (All models - per door)

Specify the door type beginning from left to right and indicate left or right hinging. For laminated doors, provide your laminate choice by indicating the manufacturer's name and the number and description of the laminate. **Prices listed are for labor to install selected laminate only.**

Finish	Coming Soon	List Price
Solid		<i>no charge</i>
Glass		\$542.00

SHELVING STYLES (All models - per door)

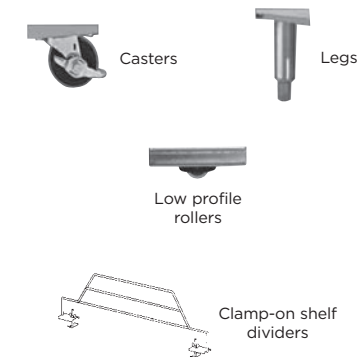
Shelving Style	List Price
Flat shelving	<i>no charge</i>
Wine racks	\$117.00
Divided shelves	\$117.00
Full extension wine shelves (Set of 5)	\$2,495.00



Stainless steel 24"

ADDITIONAL ACCESSORIES

Accessory	DB24	List Price	DB48	List Price
4" leg and black front baseplate	68704-24	\$410.00	68704-48	\$446.00
4" black end baseplate	68704-22	\$175.00	68704-22	\$175.00
6" leg and black front baseplate	68703-24	\$446.00	68703-48	\$470.00
6" black end baseplate	68703-22	\$180.00	68703-22	\$180.00
Casters 3-3/4"	57786	\$180.00	57786	\$180.00
Casters 2-7/8"	67061	\$222.00	67061	\$222.00
Casters 6-1/8"	57784	\$282.00	57784	\$282.00
Low profile rollers 1-5/8"	63771A	\$538.00	63771A	\$538.00
Legs 4"- 5-3/4"	57933	\$238.00	57933	\$238.00
Legs 6"- 7-1/2"	57782	\$255.00	57782	\$255.00
Legs 6"- 9"	67075	\$302.00	67075	\$302.00
Clamp-on shelf dividers	C5090-48BL	\$112.00	C5090-48BL	\$112.00



LMD2-24

LIGHTED MERCHANDISE DISPLAYS FOR CUSTOM SERIES CABINETS

All models are constructed of stainless steel with 4" deep acrylic tier inserts for illumination. Each unit has UL listed electrical components and super bright energy saving LED lights for long life (50,000 hours minimum).

The option for the on/off switch and power cord to be located on the left or right allows for adjoining units to create longer displays. The raised 2 tier unit has an illuminated front panel for use with Perlick glass merchandise display units. Select models now available with blue LED lighting.

LIGHTED MERCHANDISE DISPLAYS - 2 TIER (Cool White LED)*

Part No.	Overall Width	Overall Depth	Overall Height	Ship Wt. (lbs.)	List Price
LMD2-24 (L or R)	24"	8"	8-1/2"	13	\$1,545.00
LMD2-36 (L or R)	36"	8"	8-1/2"	20	\$1,755.00
LMD2-48 (L or R)	48"	8"	8-1/2"	26	\$2,465.00
LMD2-60 (L or R)	60"	8"	8-1/2"	33	\$2,680.00
LMD2-72 (L or R)	72"	8"	8-1/2"	40	\$2,890.00
LMD2-84 (L or R)	84"	8"	8-1/2"	46	\$3,600.00

LIGHTED MERCHANDISE DISPLAYS - 3 TIER (Cool White LED)*

Part No.	Overall Width	Overall Depth	Overall Height	Ship Wt. (lbs.)	List Price
LMD3-24 (L or R)	24"	8"	8-1/2"	13	\$1,870.00
LMD3-36 (L or R)	36"	8"	8-1/2"	20	\$2,140.00
LMD3-48 (L or R)	48"	8"	8-1/2"	26	\$3,370.00
LMD3-60 (L or R)	60"	8"	8-1/2"	33	\$3,635.00
LMD3-72 (L or R)	72"	8"	8-1/2"	40	\$3,910.00

* Warm white LED option; call for availability



SOAKY MOUNTAIN WATERPARK, NASHVILLE, TN

NARROW DOOR DRY STORAGE CABINETS (NON-REFRIGERATED)

BASE MODELS

Choose between all black, all stainless, or factory laminated exterior options. Interior of cabinet is all stainless steel with a galvanized steel back. Includes door lock and three vinyl-coated shelves (per compartment).

SINGLE DOOR (20" Long x 24-3/4" Deep x 34-9/16" High)

Part No.	Net Capacity	List Price
DBN20	5.0 cu. ft.	\$2,865.00

TWO DOOR (40" Long x 24-3/4" Deep x 34-9/16" High)

Part No.	Net Capacity	List Price
DBN40	12.0 cu. ft.	\$4,605.00



DBN20



DBN40

CUSTOMER OPTIONS

Each cabinet is configured specifically to the customer's request. The following is pricing on each individual option.

TOP TYPE

Pricing for laminate reflects labor charge to install selected laminate type, additional charges will apply based on material selection.

# of Doors	No Tapping	Factory Laminated*
1	no charge	\$2,689.00
2	no charge	\$4,705.00

EXTERIOR FINISH COLOR (No charge)

Coming Soon

- **ALL BLACK**
Black vinyl top, sides, condensing cover and doors, with black PVD coated stainless steel handles
- **STAINLESS STEEL**
Stainless steel top, sides, condensing cover and doors
- **FACTORY LAMINATED***
Select your favorite option from 13 different laminate manufacturers, including Wilson Art, Treefrong, Lab Design, Fermica, Decostone, and more! **Laminate option to be specified with customer service after order is submitted.**

DOOR HANDLE OPTIONS (All models)

Handle Type	List Price
Full length, SS, 24"	no charge
Stainless steel, 12"	no charge

FINISHED ENDS (Optional - all models)

End Style	List Price
Match exterior finish - left or right	\$410.00
Match exterior finish - both	\$820.00

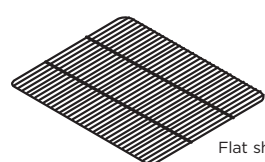
DOOR TYPE (All models - per door)

Specify the door type beginning from left to right and indicate left or right hinging. For laminated doors, provide your laminate choice by indicating the manufacturer's name and the number and description of the laminate. **Prices listed are for labor to install selected laminate only.**

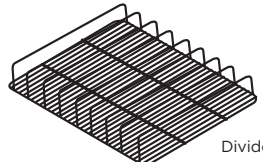
Finish	Coming Soon	List Price
Solid		no charge
Glass		\$542.00

SHELVING STYLES (All models - per door)

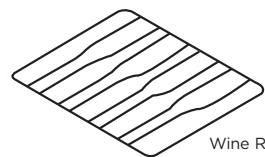
Shelving Style	List Price
Flat shelving	no charge
Wine racks	\$117.00
Divided shelves	\$117.00



Flat shelf



Divider shelf



Wine Rack



Stainless Steel 24"

NARROW DOOR DRY STORAGE CABINETS (NON-REFRIGERATED)

ADDITIONAL ACCESSORIES

Accessory (Part No.)	DBN20	List Price	DBN40	List Price
4" leg and black front baseplate	68704-20	\$410.00	68704-40	\$410.00
4" black end baseplate	68704-22	\$175.00	68704-22	\$175.00
6" leg and black front baseplate	68703-20	\$440.00	68703-40	\$446.00
6" black end baseplate	68703-22	\$180.00	68703-22	\$180.00
Casters 3-3/4"	57786	\$180.00	57786	\$180.00
Casters 2-7/8"	67061	\$222.00	67061	\$222.00
Casters 6-1/8"	57784	\$282.00	57784	\$282.00
Low profile rollers 1-5/8"	63771A	\$538.00	63771A	\$538.00
Legs 4"- 5-3/4"	57933	\$238.00	57933	\$238.00
Legs 6"- 7-1/2" (set of 4)	57782	\$255.00	57782	\$255.00
Legs 6"- 9"	67075	\$302.00	67075	\$302.00
Clamp-on shelf dividers	C5090-48BL	\$112.00	C5090-48BL	\$112.00



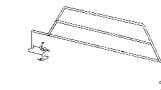
Casters



Legs



Low profile rollers



Clamp-on shelf dividers



ALLY'S POWERHOUSE CAFE, MILWAUKEE, WI



BASE MODELS

Choose between all black, or all stainless exterior options. Interior of cabinet is all stainless steel with a galvanized steel back. Door and condensing unit cover options include black vinyl (NC) or stainless steel (see upcharge). Interior and base are galvanized. **Note: Dispensing head not included.**

ecofriendly
R290 Hydrocarbon
Refrigerant

SINGLE DOOR (36" Long x 24-3/4" Deep x 34-9/16" High)

Part No.	Net Capacity	List Price	SS upcharge
DDS36	7.4 cu. ft.	\$7,230.00	Add \$233.00

TWO DOOR (60" Long x 24-3/4" Deep x 34-9/16" High)

Part No.	Net Capacity	List Price	SS upcharge
DDS60	16.0 cu. ft.	\$9,460.00	Add \$352.00

THREE DOOR (84" Long x 24-3/4" Deep x 34-9/16" High)

Part No.	Net Capacity	List Price	SS upcharge
DDS84	24.8 cu. ft.	\$10,264.00	Add \$473.00

FOUR DOOR (108" Long x 24-3/4" Deep x 34-9/16" High)

Part No.	Net Capacity	List Price	SS upcharge
DDS108	33.5 cu. ft.	\$11,820.00	Add \$593.00

SECOND YEAR EXTENDED PARTS AND LABOR WARRANTY

Part No.	Description	Net Price
730	Second year extended parts and labor warranty	\$500.00



DDS60 shown with optional 2-faucet draft arm



DDS84 shown with black vinyl doors and optional 1- and 2-faucet draft arm

CUSTOMER OPTIONS

Each cabinet is configured specifically to the customer's request. The following is pricing on each individual option.

ADDITIONAL ACCESSORIES

Part No.	Accessory	Single-Door	2-Door	3-Door	4-Door
57834A	Shelves for 2/3/4 kegs	N/A	\$675.00	\$675.00	\$675.00
67413	2-way secondary regulator kit	\$452.00	\$452.00	\$452.00	\$452.00
67414	3-way secondary regulator kit	\$678.00	\$678.00	\$678.00	\$678.00
65494	CO2 regulator kit	\$257.00	\$257.00	\$257.00	\$257.00
43311	CO2 shut off valve kit	\$39.50	\$39.50	\$39.50	\$39.50
68704-36	4" leg and black front baseplate	\$410.00	\$446.00	\$501.00	\$658.00
68704-22	4" black end baseplate	\$175.00	\$175.00	\$175.00	\$175.00
68703-36	6" leg and black front baseplate	\$446.00	\$470.00	\$523.00	\$680.00
68703-22	6" black end baseplate	\$180.00	\$180.00	\$180.00	\$180.00
57793	Set of four 4-5-3/4" legs	\$238.00	\$238.00	\$238.00	\$238.00
57934	Set of six 4-5-3/4" legs	\$338.00	\$338.00	\$338.00	\$338.00
57782	Set of four 6"-7-1/2" legs	\$255.00	\$255.00	\$255.00	\$255.00
57783	Set of six 5-3/4"-7-1/2" legs	\$372.00	\$372.00	\$372.00	\$372.00
67075	Set of four 6"-9" legs	\$302.00	\$302.00	\$302.00	\$302.00
67076	Set of six 6"-9" legs	\$444.00	\$444.00	\$444.00	\$444.00
57784	Set of four 6" casters	\$282.00	\$282.00	\$282.00	\$282.00
57785	Set of six 6" casters	\$423.00	\$423.00	\$423.00	\$423.00
57786	Set of four 3-3/4" casters	\$180.00	\$180.00	\$180.00	\$180.00
57787	Set of six 3-3/4" casters	\$264.00	\$264.00	\$264.00	\$264.00
67061	Set of four 2-7/8" casters	\$222.00	\$222.00	\$222.00	\$222.00
67072	Set of six 2-7/8" casters	\$312.00	\$312.00	\$312.00	\$312.00
63771A	Set of four low profile rollers 1-5/8"	\$538.00	\$538.00	\$538.00	\$538.00
63771A-2	Set of six low profile rollers 1-5/8"	\$795.00	\$795.00	\$795.00	\$795.00

WARNING: California Prop 65 Notice
See page 6 for details.

800.558.5592 • info@perlick.com • perlick.com



BEER DISPENSING KITS

Components included in beer dispensing kits are as follows:

- Dispensing head
- Drainer
- Faucet(s)
- Air distributor - 1 valve per faucet
- Beer line connector - 1 per faucet
- Air hose - 1 per faucet
- Air distributor cover
- Beer line/drainer cover
- Air scoop and tubing
- Air sleeve
- Spanner wrench
- Drainer tubing - 8 ft.
- Silicone
- Hardware and fittings

Note: Keg coupler not included in beer dispensing kits; must order separately. Refer to the Perlick Tapping Price Book or perlick.com.



Draft Arm



Tee Tower



Napoli



Lucky



Panther



Havana

Part No.	Tower Style/Finish	No. of Faucets	List Price
69526-1DA	Draft Arm/Chrome	1	\$1,203.00
69526-1DATF	Draft Arm/T-F Brass	1	\$1,857.00
69526-2DA	Draft Arm/Chrome	2	\$1,574.00
69526-2DATF	Draft Arm/T-F Brass	2	\$2,366.00
69526-3DA	Draft Arm/Chrome	3	\$1,854.00
69526-3DATF	Draft Arm/T-F Brass	3	\$2,217.00
69526-2TT	Tee Tower/SS	2	\$1,647.00
69526-2TTTF	Tee Tower/T-F Brass	2	\$2,366.00
69526-3TT	Tee Tower/SS	3	\$1,921.00
69526-3TTTF	Tee Tower/T-F Brass	3	\$2,744.00
69526-4TT	Tee Tower/SS	4	\$2,300.00
69526-4TTTF	Tee Tower/T-F Brass	4	\$3,278.00
69526-5TT	Tee Tower/SS	5	\$2,709.00
69526-5TTTF	Tee Tower/T-F Brass	5	\$3,613.00
69526-6TT	Tee Tower/SS	6	\$3,147.00
69526-6TTTF	Tee Tower/T-F Brass	6	\$4,147.00
69526-2N	Napoli/Chrome	2	\$2,434.00
69526-2NTF	Napoli/T-F Brass	2	\$3,131.00
69526-1L	Lucky/Chrome	1	\$1,671.00
69526-1LG	Lucky/Gold	1	\$1,962.00
69526-2L	Lucky/Chrome	2	\$2,118.00
69526-2LG	Lucky/Gold	2	\$2,385.00
69526-3P	Panther/Chrome	3	\$2,893.00
69526-3PG	Panther/Gold	3	\$3,132.00
69526-4P	Panther/Chrome	4	\$3,173.00
69526-4PG	Panther/Gold	4	\$3,397.00
69526-3HA	Havana/Chrome	3	\$3,290.00
69526-4HA	Havana/Chrome	4	\$3,625.00
69526-5HA	Havana/Chrome	5	\$4,225.00
69526-6HA	Havana/Chrome	6	\$4,558.00

Part No.	Description	List Price
-R (suffix)	Universal field installation kit	\$72.00

Example: 69526-1DA-R

BASE MODELS

Top, ends, grill, doors, and back exterior are stainless steel. Interior and base are galvanized steel. Full stainless steel drainer. Includes door locks, high-impact bumpers. 6-1/8" casters and side cabinet access panel which conceals CO2 drum (not included), regulator, and liquid waste tank.

Comes with 5 year compressor warranty and 1 year parts and labor warranty.

Note: Dispensing head not included; see below for options.



DCC92
shown with optional 1-faucet
and 2-faucet draft arms

eco friendly
R290 Hydrocarbon
Refrigerant

TWO DOOR (68" Long x 24-3/4" Deep x 34-9/16" High)

Part No.	Net Capacity	List Price
DCC68	16.0 cu. ft.	\$12,980.00

THREE DOOR (92" Long x 24-3/4" Deep x 34-9/16" High)

Part No.	Net Capacity	List Price
DCC92	24.8 cu. ft.	\$14,465.00

SECOND YEAR EXTENDED PARTS AND LABOR WARRANTY

Part No.	Description	Net Price
730	Second year extended parts and labor warranty	\$500.00

Note: For 230/50HZ add \$220

ADDITIONAL ACCESSORIES

Part No.	Description	List Price
57806A	5# CO2 Gas cylinder	\$475.00
65494	CO2 Regulator kit	\$257.00



Draft Arm



Tee Tower

BEER DISPENSING KITS

Components included in beer dispensing kits are as follows:

- Dispensing head
- Drainer
- Faucet(s)
- Air distributor - 1 valve per faucet
- Beer line connector - 1 per faucet
- Air hose - 1 per faucet
- Air distributor cover
- Beer line/drainer cover
- Air scoop and tubing
- Air sleeve
- Spanner wrench
- Drainer tubing - 8 ft.
- Silicone
- Hardware and fittings

Note: Keg coupler not included in beer dispensing kits; must order separately. Refer to the Perlick Tapping Price Book or perlick.com.

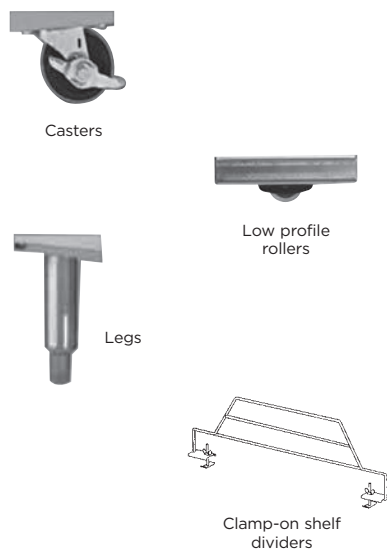
Part No.	Tower Style/Finish	No. of Faucets	List Price
69526-1DA	Draft Arm/Chrome	1	\$1,203.00
69526-1DATF	Draft Arm/T-F Brass	1	\$1,857.00
69526-2DA	Draft Arm/Chrome	2	\$1,574.00
69526-2DATF	Draft Arm/T-F Brass	2	\$2,366.00
69526-3DA	Draft Arm/Chrome	3	\$1,854.00
69526-3DATF	Draft Arm/T-F Brass	3	\$2,217.00
69526-2TT	Tee Tower/SS	2	\$1,647.00
69526-2TTTF	Tee Tower/T-F Brass	2	\$2,366.00
69526-3TT	Tee Tower/SS	3	\$1,921.00
69526-3TTTF	Tee Tower/T-F Brass	3	\$2,744.00
69526-4TT	Tee Tower/SS	4	\$2,300.00
69526-4TTTF	Tee Tower/T-F Brass	4	\$3,278.00
69526-5TT	Tee Tower/SS	5	\$2,709.00
69526-5TTTF	Tee Tower/T-F Brass	5	\$3,613.00
69526-6TT	Tee Tower/SS	6	\$3,147.00
69526-6TTTF	Tee Tower/T-F Brass	6	\$4,147.00

The following accessories are available for the Perlick back bar refrigeration. **Note: Legs and casters come in sets of four or six.** Any models over 60" need a set of six legs or casters. For models 60" and less, order a set of four legs or casters. See pages listed below for accessory grids for individual models.

BBS Series..... pg. 48
 DZS60 Series..... pg. 50
 BBSLP Series..... pg. 52
 BBSN Series..... pg. 54
 SDBS Series..... pg. 56
 SDPS Series..... pg. 57
 PTS Series..... pg. 58

BBR Series..... pg. 60
 BBRLP Series..... pg. 62
 BBRN Series..... pg. 64
 SDBR Series..... pg. 66
 SDPR Series..... pg. 67
 PTR Series..... pg. 68

DB Series..... pg. 72
 DBN Series..... pg. 74
 DDS Series..... pg. 77



MISC. ACCESSORY

Part No.	Description	List Price
1390D	1/2" I.D. anti-microbial vinyl drain tube (per ft.)	\$3.00

SET OF CASTERS (2-7/8")

Part No.	Accessory	List Price
67061	Castors 2-7/8" (set of four)	\$222.00
67062	Castors 2-7/8" (set of six)	\$312.00

SET OF CASTERS (3-3/4")

Part No.	Accessory	List Price
57786	Castors 3-3/4" (set of four)	\$180.00
57787	Castors 3-3/4" (set of six)	\$264.00

SET OF CASTERS (6-1/8")

Part No.	Accessory	List Price
57784	Castors 6-1/8" (set of four)	\$282.00
57785	Castors 6-1/8" (set of six)	\$423.00

SET OF LOW PROFILE ROLLERS (1-5/8")

Part No.	Accessory	List Price
63771A	Low profile rollers 1-5/8" (set of four)	\$538.00
63771A-2	Low profile rollers 1-5/8" (set of six)	\$795.00

SET OF ADJUSTABLE LEGS (4"- 5-3/4")

Part No.	Accessory	List Price
57933	Legs 4"- 5-3/4" (set of four)	\$238.00
57934	Legs 4"- 5-3/4" (set of six)	\$338.00

SET OF ADJUSTABLE LEGS (6"- 7-1/2")

Part No.	Accessory	List Price
57782	Legs 6"- 7-1/2" (set of four)	\$255.00
57783	Legs 6"- 7-1/2" (set of six)	\$372.00

SET OF ADJUSTABLE LEGS (6"- 9")

Part No.	Accessory	List Price
67075	Legs 6"- 9" (set of four)	\$302.00
67076	Legs 6"- 9" (set of six)	\$444.00

SET OF ANTI-TIP CASTERS (3-3/4")

Part No.	Accessory	List Price
57786AT	Anti-tip casters 3-3/4"	\$180.00

SET OF ANTI-TIP CASTERS (6-1/4")

Part No.	Accessory	List Price
57784AT	Anti-tip casters 6-1/4"	\$282.00

CLAMP-ON SHELF DIVIDERS

Part No.	Accessory	List Price
C5090-48BL	Clamp-on shelf dividers	\$112.00

Column Wine Reserves are available in single or dual zone models. All units feature a panel-ready glass door, ready to accept custom cabinetry panels to blend into any design. Stainless steel door panels with handles installed are available (order separately). All models feature full extension wine shelves, with one convertible display shelf, triple pane, Low-E, bronze tinted glass, and eco-friendly R600A refrigerant. Optional stainless steel finish panels available for factory install only.



CC24W-1-4R shown with stainless steel door overlay and door handle

HIGH-CAPACITY, SMALL FOOTPRINT

Don't let limited square footage limit your wine list. By expanding up, you'll have plenty of space to create an impressive offering of fine vintages. Perlick's space efficient, climate controlled column refrigeration for wine takes advantage of available vertical space.

- 84" tall - 24" x 24" footprint provides high-capacity wine storage in a compact space
- Factory set sensor maintains optimum humidity level
- Programmable blue and white LED interior lighting with slow fade effect for on and off setting

SINGLE ZONE (23-3/4" WIDE, 24-1/16" DEEP, 84" HIGH)

Part No.	Description	Net Capacity	Amps	List Price
CC24W	Commercial wine column, single zone, glass door panel ready	12.6 cu. ft.	2.6	\$21,459.00

Wine Column Refrigerator, single zone, full extension wine shelves, one convertible display shelf, temperature range 40°F-68°F

DUAL ZONE (23-3/4" WIDE, 24-1/16" DEEP, 84" HIGH)

Part No.	Description	Net Capacity	Amps	List Price
CC24D	Commercial wine column, dual zone, glass door panel ready	12.2 cu. ft.	2.6	\$22,999.00

Wine Column Refrigerator, dual zone, full extension wine shelves, one convertible display shelf, temperature range 40°F-68°F

Part No.	Description	List Price
CR-SG-24PDL4L	Left hinged stainless steel glass door overlay, with 2-tone handle, lock, 4" toe kick	\$885.00
CR-SG-24PDR4L	Right hinged stainless steel glass door overlay, with 2-tone handle, lock, 4" toe kick	\$885.00
CR-SG-24PDL6L	Left hinged stainless steel glass door overlay, with 2-tone handle, lock, 6" toe kick	\$885.00
CR-SG-24PDR6L	Right hinged stainless steel glass door overlay, with 2-tone handle, lock, 6" toe kick	\$885.00
CFG-COL_COM_LPANEL-SS	Stainless steel finish side panel - left side	\$315.00
CFG-COL_COM_LPANEL-SS	Stainless steel finish side panel - right side	\$315.00
CR-PRO-HANDLE	Door handle kit - order separately only if needed for customer provided overlay (i.e. custom mill work)	\$220.00



Heavy-duty, full extension, soft closing wine shelves



Perlick state-of-the-art digital touch screen



eco friendly R600a Refrigerant

Compact storage for crucial service needs. Perlick under counter refrigeration is made with all stainless steel interior top and sides with a galvanized steel back and base. Commercial grade full extension shelving for easy loading and product access and more.

SINGLE DOOR (24" LONG X 24" DEEP X 34" HIGH)

Part No.	Description	Shelving Footnote	Tapping Options	Capacity Cubic Ft.	Temp. Range	HP	Amps	Ship Wt. (lbs.)	List Price
HC24RS4	Refrigerator	[1]	[8] [9] [10]	5.3	+33°F to +42°F	1/6	1.6	185	\$6,442.00
HC24FS4	Chiller	[2]	N/A	5.3	-10°F to +10°F	1/6	2.4	195	\$7,282.00
HC24WS4	Wine reserve	[3]	N/A	5.3	+40°F to +68°F	1/6	1.6	205	\$6,442.00

TWO DOOR (48" LONG X 24" DEEP X 34" HIGH)

Part No.	Description	Shelving Footnote	Tapping Options	Capacity Cubic Ft.	Temp. Range	HP	Amps	Ship Wt. (lbs.)	List Price
HC48RS4	Refrigerator	[4]	[11] [12] [13]	11.7	+32°F to +42°F	1/6	1.6	335	\$9,750.00
HC48WS4	Wine reserve	[5]	N/A	11.7	+40°F to +68°F	1/6	1.6	375	\$10,831.00

[4] Cabinet furnished with (2) black vinyl coated full extension shelves (adjustable) and black vinyl coated floor rack in compartment 1, and six (6) black vinyl coated full extension wine shelves (adjustable) in compartment 2. Each wine shelf holds (8) 750ml wine bottles.

TWO DOOR DUAL ZONE (48" LONG X 24" DEEP X 34" HIGH)

Part No.	Description	Shelving Footnote	Capacity Cubic Ft.	Temp. Range	HP	Amps	Ship Wt. (lbs.)	List Price
HC48RW4	Refrigerator Wine	[6]	11.1	+32°F to +42°F +40°F to +68°F	1/6	1.6	355	\$11,466.00
HC48WW4	White wine Red wine	[7]	11.1	+45°F Set Point +60°F Set Point	1/6	1.6	385	\$12,070.00

[6] Cabinet furnished with (2) black vinyl coated full extension shelves (adjustable) and black vinyl coated floor rack in compartment 1, and (6) black vinyl coated full extension wine shelves (adjustable) in compartment 2. Each wine shelf holds (8) 750ml wine bottles.

[7] Cabinet furnished with (4) black vinyl coated full extension shelves (adjustable) and black vinyl coated floor rack in compartment 1, and (6) black vinyl coated full extension wine shelves (adjustable) in compartment 2. Each wine shelf holds (8) 750ml wine bottles.

SECOND YEAR EXTENDED PARTS AND LABOR WARRANTY

Part No.	Description	Net Price
730	Second year extended parts and labor warranty	\$500.00

OPTIONAL HC24 SERIES TAPPING OPTIONS

Part No.	Description	List Price
[8]	- Drilled for tapping, tower sold separately	no charge
[9]	66585C-1 Single faucet draft arm tapping kit	\$1,013.00
[10]	66585C-2 Dual faucet draft arm tapping kit	\$1,490.00

OPTIONAL HC48 SERIES TAPPING OPTIONS

Choose an option for one or two doors

Part No.	Description	List Price
[11]	- Drilled for tapping, tower sold separately	no charge
[12]	66585C-1 Single faucet draft arm tapping kit	\$1,013.00
[13]	66585C-2 Dual faucet draft arm tapping kit	\$1,490.00

HC24 SERIES SHELVING OPTIONS

Description	List Price
[1] Refrigerator shelving - (2) full extension flat shelves and floor rack	no charge
[2] Beverage center shelving - (2) full extension wine shelves and floor rack	\$191.00
[3] Wine reserve shelving - (5) full extension wine racks	\$1,094.00

eco friendly
R600a Refrigerant



HC24RS4



HC24WS4
(with optional glass door)



HC48WW4



DOOR FINISH*

Specify the door style by listing the part number and description for the door. Also indicate right or left hinging for the door.

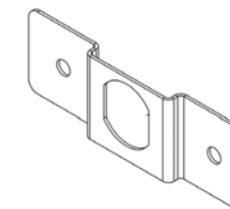
Part No.	Description	List Price Per Door
B	B - Solid black/field laminate	no charge
CFG-RES_DOOR-S	S - Solid stainless steel	\$125.00
CFG-RES_DOOR-G	G - Glass with black vinyl/field laminate	\$435.00
CFG-RES_DOOR-T	T - Glass with stainless steel	\$560.00

Note: Glass doors are not recommended for use with chillers as excessive condensation can occur in high humidity environments.

* Doors can be finished with wood overlay panels (by others). Contact Perlick for templates.

DOOR HANDLES AND OPTIONAL LOCKS

Description	List Price Per Door
Handles, full length, two tone with chrome end caps and stainless steel grip	no charge
Tab handles, top mount, stainless steel	no charge
Door lock, chrome	\$188.00
Lock bracket accessory for wood overlay	N/A



Lock bracket accessory for wood overlay

ACCESSORIES for Single Door (HC24), Field Installed

Part No.	Description	List Price
66734	Leg kit, adjustable 4" to 6", set of four with mounting platform	\$504.00
66735	Leg kit, adjustable 6" to 7-1/4", set of four with mounting platform	\$504.00
66736	Casters - 3-3/4", set of four with mounting platform	\$591.00
RS-SK-24R/L	Stacking Kit for HC24 & HB24 Units	\$370.00

ACCESSORIES for Two Door (HC48), Field Installed

Part No.	Description	List Price
70209	Leg kit, adjustable 4" to 6", set of four with mounting platform	\$580.00
70210	Leg kit, adjustable 6" to 7-1/4", set of four with mounting platform	\$594.00
70211	Casters - 3-3/4", set of four with mounting platform	\$621.00





THE PERFECT PARTNER FOR SUITES & STADIUMS

Refrigeration **designed for quality.**
Beverage dispensing solutions **built to perform.**

- Full extension, smooth glide shelving for faster, more ergonomic product access
- All stainless steel interior ensures consistent cabinet temperature and a hygienic, easy-to-clean environment



- Premium beverage dispensing products are durable and well insulated to pour the perfect beer



- Perlick's energy efficient smart compressor ramps up as additional cooling is needed, maximizing energy savings while decreasing pull down time

Contact Perlick today to learn more about our full line of bar and beverage equipment and ADA height compliant luxury suite refrigeration.

perlick.com • (800) 558-5592



24" SINGLE DOOR, 18" SHALLOW DEPTH REFRIGERATOR/WINE RESERVE (24" LONG X 18" DEEP X 32" HIGH)

All models are ADA height compliant. Top, ends, and interior are stainless steel; back and base are galvanized steel. Includes full extension shelves and LED display lighting. Comes with 5 year compressor warranty and 1 year parts and labor warranty.

Part No.	Description	Capacity Cubic Ft.	Temp. Range	HP	Amps	Ship Wt. (lbs.)	List Price
HD24RS4	Refrigerator	3.8	+33°F to +42°F	1/6	1.6	175	\$6,038.00
HD24WS4	Wine reserve	3.8	+40°F to +68°F	1/6	1.6	185	\$6,038.00

HD24 SERIES SHELVING OPTIONS

Description	List Price
(2) Full extension flat shelves and floor rack	no charge
(4) Full extension wine shelves	\$928.00

SECOND YEAR EXTENDED PARTS AND LABOR WARRANTY

Part No.	Description	Net Price
730	Second year extended parts and labor warranty	\$500.00

DOOR FINISH*

Specify the door style by listing the part number and description for the door. Also indicate right or left hinging for the door.

Part No.	Description	List Price Per Door
B	B - Solid black	no charge
CFG-RES_DOOR-S	S - Solid stainless steel	\$125.00
CFG-RES_DOOR-G	G - Glass with black vinyl/field laminate	\$435.00
CFG-RES_DOOR-T	T - Glass with stainless steel	\$560.00

* Cabinets can be finished with wood overlay doors (by others). Contact Perlick for templates.

DOOR HANDLES AND OPTIONAL LOCKS

Description	List Price Per Door
Handles, full length, two tone	no charge
Classic handles, 6", chrome with black grip	no charge
Tab handles, top mount, stainless steel	no charge
Door lock	\$188.00
Lock bracket accessory for wood overlay	\$40.00



HD24RS



HD24WS
(with optional glass door)



GAINBRIDGE FIELDHOUSE, INDIANAPOLIS, IN

WARNING: California Prop 65 Notice
See page 6 for details.

800.558.5592 • info@perlick.com • perlick.com



- Top and ends are stainless steel; galvanized back
- All stainless steel interior
- Includes front vented refrigeration system
- Refrigerators and freezers include two vinyl coated full extension adjustable shelves
- Beverage centers include two wine shelves and one full extension pull out shelf
- Wine reserves are offered with (4) full extension wine shelves which store 32 bottles of wine. Wine shelves can be replaced with refrigerator shelves for upright storage.
- Freezers equipped with automatic hot gas defrost and digital controller
- All models come with 1 year parts and labor and 5 year compressor warranty

Part No.	Description	Capacity Cubic Ft.	Temp. Range	HP	Amps	Ship Wt. (lbs.)	List Price
HB24RS	ADA Refrigerator	4.8	33°F to 42°F	1/6	1.6	180	\$6,610.00
HB24FS	ADA Freezer	4.8	-10°F to 10°F	1/6	2.4	190	\$7,151.00
HB24BS	ADA Beverage center	4.8	40°F to 68°F	1/6	1.6	185	\$6,762.00
HB24WS	ADA Wine reserve	4.8	40°F to 68°F	1/6	1.6	200	\$6,610.00

HB24 SERIES SHELVING OPTIONS

Description	List Price
Refrigerator shelving - (2) full extension flat shelves and floor rack	no charge
Wine reserve shelving - (4) full extension wine shelves	\$928.00

SECOND YEAR EXTENDED PARTS AND LABOR WARRANTY

Part No.	Description	Net Price
730	Second year extended parts and labor warranty	\$500.00

DOOR FINISH

Specify the door style by listing the description for the door and indicate left or right hinging.

Part No.	Description	List Price Per Door
B	B - Solid black	no charge
CFG-RES_DOOR-S	S - Solid stainless steel	\$125.00
CFG-RES_DOOR-G	G - Glass with black vinyl/field laminate	\$435.00
CFG-RES_DOOR-T	T - Glass with stainless steel	\$560.00

Note: Glass doors are not recommended for use with freezers as excessive condensation can occur.

REFRIGERATOR OR FREEZER DRAWER FINISH

Specify the drawer style by listing the description.

Part No.	Description	List Price Per Door
CFG-RES_DOOR-Z	Solid black vinyl/field laminate	\$728.00
CFG-RES_DOOR-D	Solid stainless steel	\$910.00

Note: Drawers come standard with stainless steel full length handles.

DOOR HANDLES AND OPTIONAL LOCKS

Part No.	Description	List Price Per Door
CFG-RES_COMHINGE-LOCK	Door lock, chrome	\$188.00
67014-1	Lock bracket accessory for wood overlay	\$40.00

ACCESSORIES, FIELD INSTALLED

Part No.	Description	List Price
66734	Leg kit, adjustable 4" to 6", set of four with mounting platform	\$504.00
66735	Leg kit, adjustable 6" to 7-1/4", set of four with mounting platform	\$504.00
66736	Casters: 3-3/4", set of four with mounting platform	\$591.00
RS-SK-18R/L	Stacking kit for HH24 units	\$370.00



HB24RS



HB24FS



HB24WS



HB24BS



HB24FS (with optional drawers)



FR48



FR24

2 FOOT MODELS

Part No.	Description	Ship Weight	List Price
FR24RT-3	Base 24" - 1/3 H.P. compressor, 5.8 amps	190 lbs.	\$6,069.00

Exterior Finish

Description	List Price
Stainless front and sides	\$516.00
All stainless steel	\$1,029.00

3 FOOT MODELS

Part No.	Description	Ship Weight	List Price
FR36RT-3	Base 36" - 1/3 H.P. compressor, 6.8 amps	245 lbs.	\$7,041.00

Exterior Finish

Description	List Price
Stainless steel front and sides	\$593.00
All stainless steel	\$1,253.00

4 FOOT MODELS

Part No.	Description	Ship Weight	List Price
FR48RT-3	Base 48" - 1/3 H.P. compressor, 6.2 amps	265 lbs.	\$7,744.00

Exterior Finish

Description	List Price
Stainless front and sides	\$619.00
All stainless steel	\$1,562.00

5 FOOT MODELS

Part No.	Description	Ship Weight	List Price
FR60RT-3	Base 60" - 1/3 H.P. compressor, 7.1 amps	300 lbs.	\$8,474.00

Exterior Finish

Description	List Price
Stainless front and sides	\$754.00
All stainless steel	\$1,866.00

ACCESSORIES

Second Year Extended Parts and Labor Warranty

Part No.	Description	Net Price
730	Second year extended parts and labor warranty	\$500.00

Two Levels of Nesting Shelves with Supporting Brackets

Description	Glass Capacity	List Price
For 2' models	90	\$154.00
For 3' models	142	\$240.00
For 4' models	214	\$302.00
For 5' models	286	\$350.00

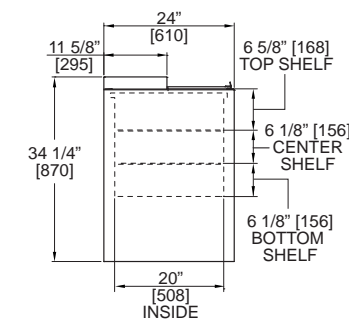
Additional Level of Nesting Shelves with Brackets

Description	Glass Capacity	List Price
For 3' models	30	\$121.00
For 4' models	59	\$151.00
For 5' models	77	\$178.00

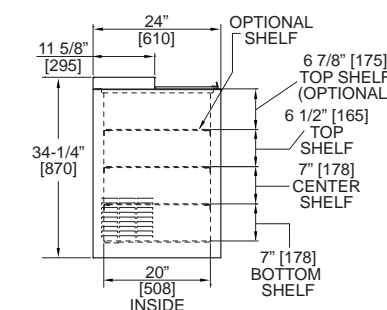
Chill glassware, beer mugs, flatware, and more.

Designed to fit under the front bar, where needed during service. Perlick chillers all come with stainless steel interiors, tops, and doors. Then choose from shelving and mounting options to fit your chiller to your space.

eco friendly
R290 Hydrocarbon Refrigerant



End view for 2' model



End view for 3', 4', & 5' models

Roller Basket Shelving (3 baskets)

Description	No. of Baskets	List Price
For 4' and 5' models	3	\$486.00

Additional Roller Baskets

Description	List Price
For 4' and 5' models	\$167.00

Legs and Casters/Roller Kits

Description	List Price
Set of four adjustable legs (4"-5-3/4")	\$230.00
Set of four adjustable legs (6"-7-1/2")	\$255.00
Set of four adjustable legs (6"-9")	\$302.00
Set of four casters (2-7/8")	\$222.00
Set of four casters (3-3/4")	\$180.00
Set of four casters (6-1/8")	\$282.00
Set of four rollers (1-5/8")	\$538.00

Bottle coolers offer a perfect solution for storing high volume bottled or canned beverages.

Designed to fit under the front bar to allow staff to access high volume contents without having to leave the front bar area. Perlick bottle coolers are made with all stainless steel interiors, tops, and doors. Then choose from shelving and mounting options to fit your bottle cooler to your space.

eco friendly
R290 Hydrocarbon
Refrigerant



BC24 Stainless
(with optional opener,
receiver, and casters)

24" MODELS

Part No.	Description	Capacity (bottles)	HP	Amps	Ship Wt. (lbs.)	List Price
BC24RT-3	Base 24" refrigerator temperature, 34-40°F	6 cases	1/5	3.2	190	\$5,604.00
BC24WT-3	Base 24" wine temperature, 45-60°F	6 cases	1/5	3.2	190	\$5,819.00
BC24LT-3	Base 24" low temperature, 28-34°F	6 cases	1/5	3.2	190	\$6,542.00

Exterior Finish

Description	List Price
Black	no charge
Stainless steel front and sides	\$516.00
All stainless steel	\$1,029.00

36" MODELS

Part No.	Description	Capacity (bottles)	HP	Amps	Ship Wt. (lbs.)	List Price
BC36RT-3	Base 36" refrigerator temperature, 34-40°F	10 cases	1/5	3.0	245	\$6,232.00
BC36WT-3	Base 36" wine temperature, 45-60°F	10 cases	1/5	3.0	245	\$6,448.00
BC36LT-3	Base 36" low temperature, 28-34°F	10 cases	1/5	3.0	245	\$7,145.00

Exterior Finish

Description	List Price
Black	no charge
Stainless steel front and sides	\$593.00
All stainless steel	\$1,253.00

48" MODELS

Part No.	Description	Capacity (bottles)	HP	Amps	Ship Wt. (lbs.)	List Price
BC48RT-3	Base 48" refrigerator temperature, 34-40°F	17 cases	1/4	5.2	300	\$6,816.00
BC48WT-3	Base 48" wine temperature, 45-60°F	17 cases	1/4	5.2	300	\$7,029.00
BC48LT-3	Base 48" low temperature, 28-34°F	17 cases	1/4	5.2	300	\$8,004.00

Exterior Finish

Description	List Price
Black	no charge
Stainless steel front and sides	\$619.00
All stainless steel	\$1,562.00

60" MODELS

Part No.	Description	Capacity (bottles)	HP	Amps	Ship Wt. (lbs.)	List Price
BC60RT-3	Base 60" refrigerator temperature, 34-40°F	21 cases	1/3	7.0	353	\$7,896.00
BC60WT-3	Base 60" wine temperature, 45-60°F	21 cases	1/3	7.0	353	\$8,113.00
BC60LT-3	Base 60" low temperature, 28-34°F	21 cases	1/3	7.0	353	\$8,005.00

Exterior Finish

Description	List Price
Black	no charge
Stainless steel front and sides	\$754.00
All stainless steel	\$1,866.00

Choose base cabinet and indicate exterior finish. All cabinets come with stainless steel interior, door(s), and condensing unit cover. Then choose from accessory options and add their price to price of base cabinet.



BC72 Stainless

Shown with optional
opener, cap receiver,
and casters

eco friendly
R290 Hydrocarbon
Refrigerant

72" MODELS

Part No.	Description	Capacity (bottles)	HP	Amps	Ship Wt. (lbs.)	List Price
BC72RT-3	Base 72" refrigerator temperature, 34-40°F	28 cases	1/3	6.9	405	\$8,237.00
BC72WT-3	Base 72" wine temperature, 45-60°F	28 cases	1/3	6.9	405	\$8,452.00
BC72LT-3	Base 72" low temperature, 28-34°F	28 cases	1/3	6.9	405	\$9,424.00

Exterior Finish

Description	List Price
Black	no charge
Stainless steel front and sides	\$880.00
All stainless steel	\$2,250.00

96" MODELS -

Part No.	Description	Capacity (bottles)	HP	Amps	Ship Wt. (lbs.)	List Price
BC96RT-3	Base 96" refrigerator temperature, 34-40°F	41 cases	1/3	7.6	515	\$9,893.00
BC96WT-3	Base 96" wine temperature, 45-60°F	41 cases	1/3	7.6	515	\$10,108.00
BC96LT-3	Base 96" low temperature, 28-34°F	41 cases	1/3	7.6	515	\$10,668.00

Exterior Finish

Description	List Price
Black	no charge
Stainless steel front and sides	\$1,061.00
All stainless steel	\$2,609.00

SECOND YEAR EXTENDED PARTS AND LABOR WARRANTY

Part No.	Description	Net Price
730	Second year extended parts and labor warranty	\$500.00



ACCESSORIES FOR ALL FLAT TOP BOTTLE COOLERS

Description	BC24 thru BC96
Cap receiver (left)	\$159.00
Cap receiver (right)	\$159.00
Optional floor racks	\$240.00



FISERV FORUM, MILWAUKEE, WI

ACCESSORIES FOR BOTTLE COOLERS

Bin Dividers with Support Brackets

Description	No. of Dividers	List Price
For 2' models	1	\$46.00
For 3' models	2	\$88.00
For 4' models	2	\$88.00
For 5' models	3	\$132.00
For 6' models	4	\$175.00
For 8' models	6	\$259.00

Additional Bin Dividers

Description	List Price
For 2' models	\$46.00
For 3' to 8' models	\$46.00

Two Levels of Nesting Shelves with Brackets

Description	Glass Capacity	List Price
For 2' models	90	\$154.00
For 3' models	142	\$240.00
For 4' models	214	\$302.00
For 5' models	286	\$350.00
For 6' models	343	\$410.00
For 8' models	456	\$476.00

Additional Levels of Nesting Shelves

Description	List Price
For 2' models	\$80.00
For 3' models	\$121.00
For 4' models	\$151.00
For 5' models	\$178.00
For 6' models	\$206.00
For 8' models	\$240.00

Optional Floor Racks

Description	List Price
For 2' models	\$76.00
For 3' models	\$76.00
For 4' models	\$151.00
For 5' models	\$178.00
For 6' models	\$206.00
For 8' models	\$240.00

Roller Baskets for One Level

Description	No. of Baskets	List Price
For 4' models	3	\$486.00
For 5' models	3	\$486.00
For 6' models	6	\$967.00
For 8' models	6	\$967.00

Additional Roller Basket

Description	List Price
For 4' - 8' models	\$167.00

Second Year Extended Parts and Labor Warranty

Part No.	Description	Net Price
730	Second year extended parts and labor warranty	\$500.00

4" Adjustable Legs

Part No.	Description	List Price
57933	For 2', 3', 4' and 5' models	\$238.00
57934	For 6' and 8' models	\$338.00

6" Adjustable Legs

Part No.	Description	List Price
57782	For 2', 3', 4' and 5' models	\$255.00
57783	For 6' and 8' models	\$372.00

6-9" Adjustable Legs

Part No.	Description	List Price
67075	For 2', 3', 4' and 5' models	\$302.00
67076	For 6' and 8' models	\$444.00

2-7/8" Casters

Part No.	Description	List Price
67061	For 2', 3', 4' and 5' models	\$222.00
67062	For 6' and 8' models	\$312.00

3-3/4" Casters

Part No.	Description	List Price
57786	For 2', 3', 4' and 5' models	\$180.00
57787	For 6' and 8' models	\$264.00

6-1/8" Casters

Part No.	Description	List Price
57784	For 2', 3', 4' and 5' models	\$282.00
57785	For 6' and 8' models	\$423.00

1-7/8" Rollers

Part No.	Description	List Price
63771A	For 2', 3', 4' and 5' models	\$538.00
63771A-2	For 6' and 8' models	\$795.00

Full Length Speed Rail

Part No.	Description	List Price
SR-S24AR	For 24" models	\$337.00
SR-S30AR	For 30" models	\$359.00
SR-S36AR	For 36" models	\$383.00
SR-S42AR	For 42" models	\$401.00
SR-S48AR	For 48" models	\$419.00
SR-S60AR	For 60" models	\$473.00
SR-S72AR	For 72" models	\$588.00

Bottle Opener and Receiver

Part No.	Description	List Price
63981	Factory installed, left or right	\$156.00

GLASSWASHERS

There are five types of glasswashers to choose from. Each comes with 1 year parts and labor warranty.

BATCH ROTARY MODELS

Part No.	Width Location	Chemical Panel	Ship Wt. (lbs.)	List Price
PKBR24	24"	Right	225	\$22,250.00

Note: Includes plumber's hook-up kit (55021) consisting of 1/2" water hammer arrestor and 1/2" NPFT shut-off valve.

ACCESSORIES (BATCH ROTARY ONLY)

Part No.	Description	List Price
50470-2	Glass rack for 24" glasswasher	\$250.00
61945	Kit, low sanitizer shutdown	\$452.00

CAROUSEL MODEL

Part No.	Width	Volts	Ship Wt. (lbs.)	List Price
PKC24	25-1/4"	115V	156	\$21,825.00

DOOR STYLE

Part No.	Width	Volts	Ship Wt. (lbs.)	List Price
PKD24A	24"	230V	244	\$18,275.00

DOOR STYLE (W/O HEATER)

Part No.	Width	Volts	Ship Wt. (lbs.)	List Price
PKD24B	24"	115V	190	\$15,520.00

DOOR STYLE (HIGH TEMPERATURE)

Part No.	Width	Volts	Ship Wt. (lbs.)	List Price
PKHT24	24"	208V	234	\$20,615.00

SECOND YEAR EXTENDED PARTS AND LABOR WARRANTY

Part No.	Description	Net Price
730G	Second year extended parts and labor warranty	\$500.00

Note: 730G Warranty applies to glass washers only.



PKBR24



PKC24



PKD24A



PKD24B



PKHT24

CENTURY SYSTEM

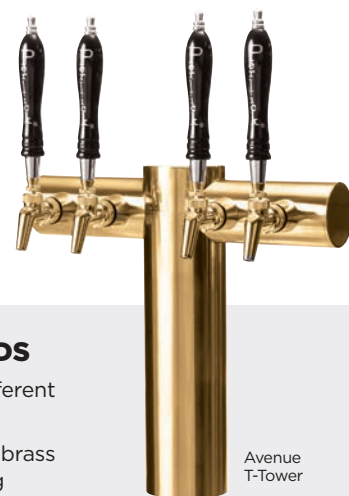
When dispensed properly, draft beer will generate huge profits for the operator. Perlick knows more about profitable draft beer dispensing than anyone else in the industry because we pay attention to detail. That's why it pays to choose a Century Beer System. Century has been the choice of smart operators for more than 35 years.

The right pressure source, a properly-sized glycol chiller, and Century's unique trunk housing and dispensing heads combine to ensure that the Perlick Century Beer System will outperform any other long-draw beer system on the market today.

We're so sure you'll appreciate the difference that we guarantee your complete satisfaction. It's a guarantee you can count on, backed by Perlick's decades as the brewing industry leader.



GOOD CITY BREWING, MILWAUKEE, WI



DISPENSING HEADS

- Available in many different styles and finishes
- Tarnish-free polished brass never needs polishing
- From one to multiple faucets
- Factory-balanced restrictors control flow to guarantee solid beer
- Copper coolant lines and metal cold block maintain chilled beverage temperatures right to the faucet
- Insulated with polyurethane foam
- Optional shanks and faucets available

Please reference the Perlick Century System catalog for the full product offering.

Avenue
T-Tower



CENTURY FACTORY ENGINEERED PERFORMANCE GUARANTEE

Century beverage systems offer superior tower construction, faucets, and cooling technology. Our systems are factory engineered, installed by a certified installer, and backed by a *Certified Century Performance Guarantee* ensuring customers receive the perfect pour from Perlick.

1. Limited Warranty

Perlick warrants to buyer that:

- Every Perlick Century System ("Century System") Factory Designed, Engineered, and Restricted, will ensure that beer
 - is poured with a CO2 content as packaged by the brewer +/-0.2 vol/vol;
 - pours clear at a flow rate of 124 oz/min +/- 5 oz/min; or 2 oz/sec
 - pours at 38 degrees Fahrenheit, +/- 2 degrees when the cooler is maintained at a constant 36 degrees +/- 2 degrees Fahrenheit
 - produces a 3/4" to 1" foam head when poured in a manner consistent with Brewers Association best practices using Beer Clean Glassware (BCG as defined below), will (collectively, "*Specifications*").
- For a period of one (1) year from the date of installation of the Century System (the "*Warranty Period*"), the Century System will materially conform to the specifications as of the date of installation and will be free from significant defects in material and workmanship.
- For a period of one (1) year from the date of installation, any defective part of a Century System will be replaced at no charge to buyer, FOB Perlick's factory.
- For a period of one (1) year from the date of installation, Perlick will pay for the cost of any labor required to repair or replace any defective Century System at standard rate.

2. Warranty Limitations

The warranties under Section 1 do not apply where the Century System has:

- Been installed by anyone other than the Certified Perlick Installer, per Perlick's quotation.
- Been subjected to abuse, misuse, neglect, negligence, accident, improper maintenance, improper storage, improper handling, abnormal physical stress, abnormal environmental conditions or use contrary to any instructions issued by Perlick or the Certified Perlick Installer, including without limitation, failure to maintain the Century System according to industry standards including proper line cleaning and Power Pak condenser cleaning; and seasonal shut downs and startups per Perlick specifications.
- Been reconstructed, serviced, repaired, or altered by anyone other than the original Certified Perlick Installer; or
- Been used with any third-party product, hardware or product that has not been previously approved in writing by Perlick.

3. Brewers Association Best Practices

For purposes of this Performance Guarantee, Brewers Association best practices for pouring beer are as follows:

- Place standard beer-clean pint glass free of visible soil, marks, and foam killing residues or lingering aromatics glass at 45° angle, one inch below faucet. Glassware temperature should be 41 degrees Fahrenheit +/- 3 degrees
- Do not let glass touch faucet. Open faucet.
- After glass is half full, gradually bring glass to upright position.
- Let remaining beer run straight down the middle. This ensures proper release of CO2, resulting in a 3/4" to 1" foam head.
- Close the faucet completely and quickly.



CENTURY FACTORY ENGINEERED PERFORMANCE GUARANTEE

4. Buyer's exclusive remedy for defective Century System

This Performance Guarantee contains buyer's exclusive remedy for defective Century System performance. Buyer's remedy under this Performance Guarantee is conditioned upon buyer's compliance with its obligations under section 4(a) and 4(b) below. During the warranty period, with respect to any alleged defective performance of the Century System:

- (a) Buyer shall notify Perlick, in writing, of any alleged claim or defect within 10 business days from the date buyer discovers, or upon reasonable inspection should have discovered, such alleged claim or defect (but in any event before the expiration of the applicable warranty period)
- (b) Buyer shall make the Century System available for inspection and testing by Perlick
- (c) If Perlick's inspection and testing reveals, to Perlick's reasonable satisfaction, that such Century System is defective, and any such defect has not been caused by or contributed to by any of the factors described under Section 2, Perlick shall in its sole discretion, and at its expense:
 - (i) repair or replace such Century System
 - (ii) credit or refund the price of such Century System, less any applicable discounts, rebates or credits; and
- (d) Buyer has no right to return for repair, replacement, credit, or refund any Century System except as set forth in this paragraph. In no event shall buyer reconstruct, repair, alter, or replace any Century System, in whole or in part, either itself or by or through any third party, or this performance guarantee shall be void and not in effect.
- (e) THIS PERFORMANCE GUARANTEE SETS FORTH THE BUYER'S SOLE AND EXCLUSIVE REMEDY AND PERLICK'S ENTIRE LIABILITY FOR ANY BREACH OF THE LIMITED WARRANTY SET FORTH IN SECTION 1.

5. Disclaimer

EXCEPT FOR THE EXPRESS WARRANTIES SET FORTH IN Section 1, PERLICK MAKES NO WARRANTY WHATSOEVER WITH RESPECT TO THE CENTURY SYSTEM, INCLUDING ANY

- (a) WARRANTY OF MERCHANTABILITY;
- (b) WARRANTY OF FITNESS FOR A PARTICULAR PURPOSE
- (c) WARRANTY AGAINST INFRINGEMENT OF INTELLECTUAL PROPERTY RIGHTS OF A THIRD PARTY; WHETHER ARISING BY LAW, COURSE OF DEALING, COURSE OF PERFORMANCE, USAGE OF TRADE, OR OTHERWISE.

6. No Liability for Consequential or Indirect Damages

NEITHER PERLICK NOR ITS REPRESENTATIVES IS LIABLE FOR CONSEQUENTIAL, INDIRECT, INCIDENTAL, SPECIAL, EXEMPLARY, PUNITIVE OR ENHANCED DAMAGES, LOST PROFITS OR REVENUES OR DIMINUTION IN VALUE, ARISING OUT OF OR RELATING TO ANY BREACH OF THIS PERFORMANCE GUARANTY OR BREACH OF WARRANTY, REGARDLESS OF

- (a) WHETHER SUCH DAMAGES WERE FORESEEABLE
- (b) WHETHER OR NOT PERLICK WAS ADVISED OF THE POSSIBILITY OF SUCH DAMAGES AND
- (c) THE LEGAL OR EQUITABLE THEORY (CONTRACT, TORT, OR OTHERWISE) UPON WHICH THE CLAIM IS BASED, AND NOTWITHSTANDING THE FAILURE OF ANY AGREED OR OTHER REMEDY OF ITS ESSENTIAL PURPOSE.

TERMS AND CONDITIONS OF SALE

Please read these Terms and Conditions of Sale (these "Terms") carefully. These Terms materially affect the parties' obligations. Perlick Corporation, a Wisconsin corporation ("Seller") is bargaining for and will do business with Buyer (as defined below), as it relates to the matters contained in this Agreement (as defined below), only pursuant to these Terms. Seller's acceptance of orders for the purchase of any goods or services (together, the "Offerings") is expressly subject to and conditioned on the buyer of the Offerings ("Buyer") agreeing to these Terms.

1. **ACCEPTANCE; CONTRARY TERMS; ENTIRE AGREEMENT.** All orders for Offerings are subject to Seller's acceptance of such order at its office. Any price quotation referencing these Terms expires if not accepted by Buyer within fifteen (15) days after the date of the quotation, unless otherwise stated by Seller in such quotation. Buyer's order is accepted only pursuant to these Terms. The provisions of any purchase order or other writing inconsistent with these Terms will not constitute a part of the contract of sale. Seller's acceptance of any order for the Offerings is conditional on Buyer's agreement to these Terms. If any of these Terms are not acceptable to Buyer, Buyer shall promptly notify Seller thereof. If Seller does not receive Buyer's written objection to these Terms within ten (10) days after Buyer receives the document referencing these Terms from Seller, or if Buyer accepts delivery of any Offerings, these Terms shall be deemed irrevocably accepted in their entirety by Buyer. Seller's failure to object to provisions contained in any purchase order or communication from Buyer shall not be construed as an acceptance of any such provision or as a waiver of any term of these Terms. WITHOUT LIMITING THE FOREGOING, SELLER HEREBY EXPRESSLY OBJECTS TO ALL TERMS THAT ARE ADDITIONAL OR CONTRADICTORY TO THESE TERMS, REGARDLESS OF WHETHER SUCH TERMS ARE SPECIFIED IN ANY OTHER EMAIL, ACKNOWLEDGEMENT, PURCHASE ORDER, CONFIRMATION, OR OTHER DOCUMENT SUPPLIED BY BUYER, INCLUDING WITHOUT LIMITATION THOSE TERMS AND CONDITIONS REGARDING WARRANTY AND INDEMNITY. NO ADDITIONAL OR CONTRADICTORY TERMS WILL BE EFFECTIVE UNLESS EXPRESSLY AGREED TO IN A WRITING HAND-SIGNED BY SELLER. UPON BUYER'S RECEIPT OF AN ORDER ACKNOWLEDGEMENT FROM SELLER, BUYER'S ORDER WILL BE NON-CANCELLABLE BY BUYER UNLESS SELLER CONSENTS THERETO IN A WRITING HAND-SIGNED BY SELLER. NO ONLINE OR ELECTRONIC TERMS OR CONDITIONS OF BUYER WILL BE BINDING ON SELLER EVEN THOUGH SUCH TERMS WERE "ACCEPTED" IN ORDER TO ACCESS OR USE A SYSTEM. These Terms, together with the email, price quotation, order acknowledgement, or other similar form issued by Seller and referencing or relating to these Terms (together, this "Agreement") is intended by the parties to be the final expression of their agreement and are intended also as a complete and exclusive statement of the terms and conditions of the matters thereof and hereof.
2. **CHANGES; CANCELLATIONS.** Requests by Buyer for cancellation, termination, modification, suspension, or delay in shipment of Buyer's order are subject to acceptance or rejection by Seller in its sole discretion. Such requests will not be accepted on terms that do not fully indemnify and reimburse Seller against any loss associated therewith. Such indemnity must include recovery of all costs incurred, including normal indirect and overhead charges, and a normal profit. Seller generally will not approve any change to an order proposed by Buyer less than forty-five (45) days prior to shipment. Seller may cancel any Order in accordance with Section 20.
3. **SAFETY CHANGES.** Seller reserves the right to make safety changes without Buyer approval to address any actual or potential safety defect in any Offerings or changes in governmental regulations or standards. Seller shall provide notice to Buyer of any material change at the time of change and the parties shall confer and mutually agree upon any specifications changes to address any such issue.
4. **PRICES.** Unless Seller specifically agrees to hold prices open for a length of time on Seller's price quotation, all prices are subject to change without notice to Buyer and any unshipped balances on purchase orders will be invoiced to and paid by Buyer at Seller's prices in effect at the time of delivery. All prices are exclusive of freight, shipping, drayage, boxing, and crating charges, both to and from Seller's facility, and all such charges are the responsibility of, and will be paid by, Buyer. Unless otherwise specified in this Agreement, prices stated in this Agreement do not include any manufacturers, sales, use, or excise taxes, charges or duties, or any other tax, fee, or charge of any nature whatsoever imposed by any governmental authority on or measured by any transaction between Seller and Buyer, and Buyer shall pay all such amounts. In the event Seller is required to pay any of the foregoing amounts, Buyer shall reimburse Seller therefor. Prices may be increased by any increase in any of the foregoing amounts, as well as any increase in tariffs, duties, or other similar amounts, regardless of whether any such amounts were included in quoted prices. Prices stated in this Agreement may not include travel or other out-of-pocket expenses incurred by Seller in connection with the performance or delivery of the Offerings, and Buyer shall reimburse Seller for all such expenses. Seller makes no warranty with respect to price, including without limitation as to the prices charged by Seller to other buyers, and the terms of such sales. In the event Buyer purchases any Offerings consisting of finished goods, Buyer shall comply with Seller's Minimum Advertised Price Policy and Seller's Electronic Minimum Resale Price Policy, in each case as may be amended from time to time, each of which may be found on Seller's website and are hereby incorporated by reference.
5. **PAYMENT.** All payments are due in accordance with the payment terms agreed upon in writing between Buyer and Seller. If no such payment terms have been agreed upon, all payments are due in full net 30 days from the date of Seller's invoice. Seller reserves the right to require full cash payment in advance or at the time of delivery whenever Seller, in its sole discretion, develops doubt as to Buyer's financial responsibility; Seller will not in such event be liable for non-performance. Buyer shall incur a service charge if Seller receives payment after the due date, calculated as follows: one and one-half percent (1.5%) of the invoice amount if Seller receives the payment between one (1) and thirty (30) days after the due date; three percent (3%) if Seller receives the payment between thirty-one (31) and sixty (60) days after due date; and so on. In addition to all other remedies available under this Agreement or at law (which Seller does not waive by the exercise of any rights hereunder), Seller may suspend the delivery or performance of any Offerings if Buyer fails to pay any amounts when due and such failure continues for ten (10) days following such due date.

WARRANTY CONTACT INFORMATION:

Technical Service (Partstown) phone number: 844-411-8050

Technical Service e-mail (Partstown): servicedept@perlick.com

Warranty Claim Submissions (Perlick): techsupport@perlick.com



6. **SHIPMENT; RISK OF LOSS.** Unless otherwise specified in this Agreement, all shipments are F.O.B. Origin. Risk of loss will pass to Buyer at the time an Offering is loaded and the carrier signs the bill of lading or departs any Seller or partner shipping dock. All shipments shall be governed by Seller's Damage and Claims Policy in effect at the time of such shipment. Seller assumes no responsibility in connection with the shipment of the Offerings to Buyer. Title to goods that comprise the Offerings will remain with Seller until Seller receives full payment therefor. Shipping dates on any purchase order or material release order are estimates only. Seller will use reasonable efforts to meet the estimated shipping date, subject to Buyer's prompt provision of all necessary, complete and correct specifications, information and data, but Seller may not be held responsible for failure to meet such estimated date. If Buyer requires special production service for unusual shipments, an additional charge may be imposed, as agreed upon by the parties. With respect to any goods included in the Offerings, if Seller delivers up to ten percent (10%) more or less than the quantity ordered by Buyer, Buyer shall accept such delivery and pay for such excess quantities.
7. **CERTAIN BUYER OBLIGATIONS.** Buyer shall (a) cooperate with Seller in all matters relating to the Offerings and provide access to Buyer's premises, and to such office accommodations and other facilities as Seller requests for the purpose of performing or delivering any of the Offerings; (b) respond promptly to any Seller request to provide direction, information, approvals, authorizations, or decisions that Seller deems necessary in order to complete and provide the Offerings in accordance with this Agreement; and (c) provide in a timely manner such customer materials or information that Seller requests in order to complete and provide the Offerings, and Buyer shall ensure that such customer materials and information are complete and accurate in all respects.
8. **COMPLIANCE WITH LAWS.** Buyer shall comply with all applicable federal, state and local laws, regulations, orders, and ordinances. Buyer represents and warrants that Buyer is and shall at all times remain in compliance with all laws administered by the U.S. Treasury Office of Foreign Assets Control or any other governmental entity imposing economic sanctions and trade embargoes ("**Economic Sanctions Laws**") against designated countries, entities, and persons ("**Embargoed Targets**"). Buyer is not an Embargoed Target or subject to any Economic Sanctions Law, and Buyer shall not (a) directly or indirectly export, re-export, transship, or otherwise deliver Offerings or any portion of Offerings to an Embargoed Target, or (b) broker, finance, or otherwise facilitate any transaction in violation of any Economic Sanctions Law.
9. **PRODUCT RECALLS.** Seller shall reimburse Buyer for the reasonable and documented out-of-pocket costs and expenses incurred by Buyer in connection with any recall, repair, replacement or refund program which is caused by Seller's gross negligence, intentional misconduct, or breach of the limited warranties set forth in Section 10, and which is (a) deemed necessary by Seller and Buyer or (b) is mandated by an order of a governmental agency to correct a manufacturing defect affecting the safety of the Offerings sold after notification by either party to such governmental agency; provided, that Seller shall not be responsible for reimbursing Buyer for any costs and expenses incurred by Buyer if such recall, repair, replacement or refund program relates to any deficiency or deviation, material part change, or part, sub-systems, software, product, packaging or service designs, trade dress, appearance or features in the Offerings provided or specified by Buyer. In the event a recall, repair, replacement or refund program is required, (i) Buyer shall fully cooperate with Seller, at Seller's request, in the implementation and administration of any program of recall, repair, replacement or refund, and (ii) Buyer shall furnish to Seller such records regarding any program of recall, repair, replacement or refund as Seller shall reasonably request. Buyer shall notify Seller in a timely manner of any condition known to it that may affect the safety of the Offerings, and Buyer shall consult with Seller about any such condition prior to notifying any governmental agency. In no event shall reimbursement under this Section of reasonable and documented out-of-pocket costs include any amounts for lost profits or business goodwill or any other special, consequential, punitive or indirect damages. Nothing in this Agreement shall constitute a waiver or limitation by Seller of any constitutional, statutory, or other right to administrative or judicial review of any request, demand, or order of any governmental agency or body.
10. **LIMITED WARRANTY.** Seller warrants that at the time of shipment of goods or performance of services the Offerings will be free from material defects in materials and workmanship. The warranty expressly provided herein may only be asserted by Buyer and may not be asserted by Buyer's customers or other users or beneficiaries of the Offerings. THIS LIMITED WARRANTY IS EXCLUSIVE AND IS IN LIEU OF ANY OTHER WARRANTY. OTHER THAN THE FOREGOING WARRANTY, SELLER HEREBY DISCLAIMS ALL WARRANTIES WITH RESPECT TO THE OFFERINGS (WHETHER GOODS OR SERVICES) INCLUDING ANY WARRANTY OF FITNESS FOR PARTICULAR PURPOSE, TITLE, MERCHANTABILITY, AND AGAINST INFRINGEMENT OF INTELLECTUAL PROPERTY RIGHTS OF A THIRD PARTY, WHETHER EXPRESS OR IMPLIED BY LAW, COURSE OF DEALING, COURSE OF PERFORMANCE, USAGE OF TRADE, OR OTHERWISE. NO PERSON IS AUTHORIZED TO GIVE ANY OTHER WARRANTIES ON BEHALF OF SELLER OTHER THAN THOSE EXPRESSLY STATED HEREIN.

Products manufactured by a third party ("**Third Party Product**") may constitute, contain, be contained in, incorporated into, attached to, or packaged together with the Offerings. Third Party Products are not covered by the limited warranty set forth in this Section. For the avoidance of doubt, SELLER MAKES NO REPRESENTATIONS OR WARRANTIES WITH RESPECT TO ANY THIRD PARTY PRODUCT, INCLUDING ANY WARRANTY OF MERCHANTABILITY, FITNESS FOR A PARTICULAR PURPOSE, TITLE, OR AGAINST INFRINGEMENT OF INTELLECTUAL PROPERTY RIGHTS OF A THIRD PARTY, WHETHER EXPRESS OR IMPLIED BY LAW, COURSE OF DEALING, COURSE OF PERFORMANCE, USAGE OF TRADE, OR OTHERWISE.

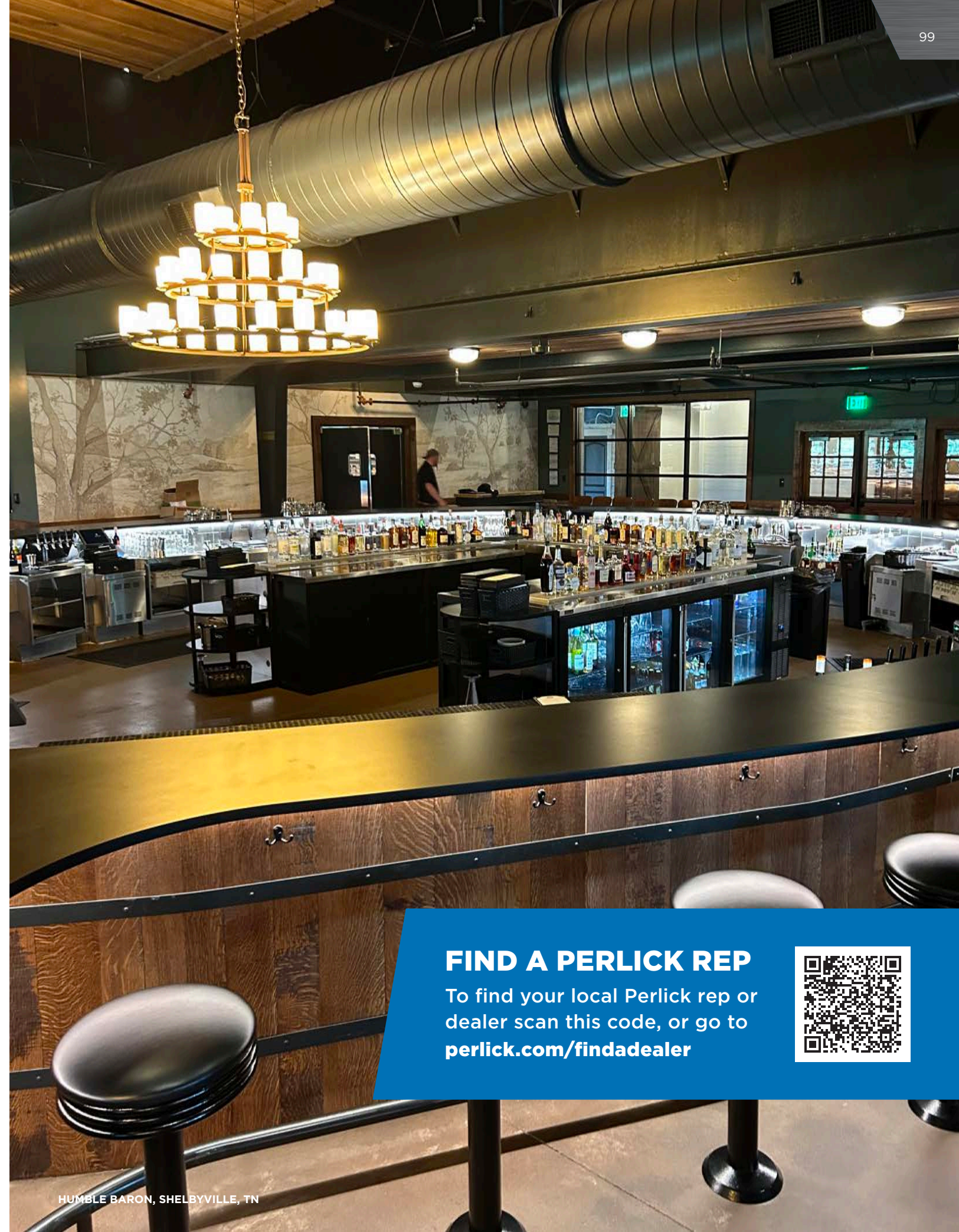
11. **LIMITATION OF REMEDIES AND DAMAGES.** All claims for shipping error or freight damage must be in writing and must be made in accordance with Seller's Damage and Claims Policy in effect at the time of such shipment, and must specify the quantity and condition of the Offering that was received by Buyer; failure to make any such claims within such time will be deemed to constitute Buyer's irrevocable waiver of any such claims. Seller reserves the right to accept or reject any such claim in whole or in part. If Buyer believes that any goods delivered as part of the Offerings are defective, Buyer shall notify Seller of the same in writing within thirty (30) days of Buyer's receipt thereof, and Buyer shall, at Buyer's sole cost and expense, return such Offerings to Seller within ten (10) days of Seller's written return material authorization ("**RMA**") for such return. Buyer may not return any Offerings without Seller's express written preauthorization in an RMA. Seller's liability and Buyer's sole and exclusive remedy hereunder will be limited to repair, replacement, or credit, at Seller's option, with respect to any Offerings that Seller determines in its sole discretion is actually defective. Seller will not be liable for a breach of warranty if (a) the defect arises because Buyer fails to follow Seller's oral or written instructions as to the storage, installation, commissioning, use, or maintenance of the Offering, (b) Buyer alters or repairs the Offering without the prior written consent of Seller, or (c) the Offering becomes defective or inoperative due to normal use, accident, misapplication, abuse, or misuse. SELLER WILL NOT BE LIABLE UNDER ANY CIRCUMSTANCES FOR ANY INDIRECT, INCIDENTAL, CONSEQUENTIAL, PUNITIVE, EXEMPLARY, OR SPECIAL DAMAGES, INCLUDING WITHOUT LIMITATION

ANY LOST PROFITS, COSTS OF SUBSTITUTE GOODS AND SERVICES, MACHINE WORK OR LABOR COSTS, ARISING FROM THE SALE, USE, OR INSTALLATION OF THE OFFERINGS, FROM OFFERINGS BEING INCORPORATED INTO OR BECOMING A COMPONENT OF ANOTHER GOOD, OR FROM ANY OTHER CAUSE WHATSOEVER, WHETHER BASED ON WARRANTY (EXPRESSED OR IMPLIED) OR OTHERWISE BASED ON CONTRACT, TORT, OR ANY OTHER THEORY OF LIABILITY, AND REGARDLESS OF ANY ADVICE OR REPRESENTATIONS THAT MAY HAVE BEEN RENDERED BY SELLER CONCERNING THE SALE, USE, OR INSTALLATION OF THE OFFERINGS, EVEN IF SELLER IS AWARE OF THE POSSIBILITY OF SUCH DAMAGES. IN NO EVENT WILL SELLER'S AGGREGATE LIABILITY ARISING OUT OF OR RELATED TO THIS AGREEMENT EXCEED THE TOTAL AMOUNTS PAID TO SELLER BY BUYER FOR THE OFFERINGS WITHIN THE THREE (3) MONTH PERIOD IMMEDIATELY PRECEDING THE EVENT GIVING RISE TO BUYER'S CLAIM. THE LIMITATIONS SET FORTH HEREIN SHALL BE VALID AND ENFORCEABLE NOTWITHSTANDING A FAILURE OF ESSENTIAL PURPOSE OF THE LIMITED REMEDY SET FORTH HEREIN.

12. **INTELLECTUAL PROPERTY OWNERSHIP.** All intellectual property rights, including copyrights, patents, patent disclosures, inventions (whether patentable or not), trade dress, trade names, logos, corporate names, domain names, trademarks, service marks, trade secrets, know-how, and/or other confidential information, together with all derivative works and all goodwill associated therewith, and all other rights in and to all the Offerings, documents, work product, and other materials (whether or not copyrightable) that are delivered to Buyer under this Agreement or prepared by or on behalf of Seller in the course of performing under this Agreement, shall be exclusively owned or otherwise licensed by Seller. Except as otherwise expressly and specifically provided, no license, transfer, or assignment of proprietary rights from Seller to Buyer will occur as a result of this Agreement or any order. Buyer warrants that any trademarks Buyer requests Seller to affix to any Offering is owned or authorized for use by Buyer. Buyer shall not contest, or assist others in contesting, the validity or ownership of Seller's intellectual property.
13. **TOOLS.** All dies, tools, patterns and the like involved in the manufacture of the Offerings are and will remain the property of Seller, except that any dies, tools, patterns and the like specifically ordered and paid for by Buyer ("**Buyer Tooling**") will remain the property of Buyer. Seller will return any Buyer Tooling to Buyer upon request after all amounts owed to Seller have been paid in full; provided, however, that if Buyer does not request in writing and accept delivery of the Buyer Tooling within thirty (30) days following the earlier of (a) the expiration or termination of this Agreement, (b) the conclusion of the project requiring the use of the Buyer Tooling, or (c) Seller's written request, then Seller shall thereafter own the Buyer Tooling and may use or dispose of the Buyer Tooling in Seller's sole discretion, and all of Buyer's rights in and to the Buyer Tooling shall cease and be of no further effect. Buyer is responsible for insuring all Buyer Tooling.
14. **INDEMNITY.** Buyer shall indemnify, defend, and hold Seller, its affiliates, and its and their respective directors, officers, employees, representatives, agents, customers, users, successors, and assigns harmless against all claims, damages, losses, liabilities, costs, and expenses, including all attorneys' fees, paid or incurred by Seller in connection with any claim whatsoever, including without limitation any claim of infringement of a patent, copyright, trademark, trade secret, or other proprietary right, and claims of product liability, personal injury, property damage, and product defect, which arises out of or is related to Buyer's or its direct or indirect customers' use of the Offerings, negligence, willful misconduct, violation or breach of any term of this Agreement, fraud, or violation of law, or from Buyer's specifications for the Offerings.
15. **PRODUCTION LOCATION.** Seller reserves the right to produce any order at any of its manufacturing locations unless a separate written agreement is in place between Buyer and Seller specifying a single production location.
16. **SECURITY INTEREST.** Buyer hereby grants to Seller and Seller hereby retains a lien on and a security interest in and to all of the right, title, and interest of Buyer in, to, and under the Offerings and accessories and additions thereto sold by Seller to Buyer, wherever located, whether now existing or hereafter acquired, all spare parts and components therefor, and all proceeds of the sale or other disposition including, without limitation, cash, accounts, contract rights, instruments, and chattel paper. If requested by Seller, Buyer shall execute one or more financing statements pursuant to the Uniform Commercial Code in a form satisfactory to Seller. In the event Buyer is in default under this Agreement, Seller will have the remedies of a secured party under applicable law, including without limitation the Uniform Commercial Code, and Seller may thereupon enter the premises of Buyer and remove and repossess all Offerings. The security interest granted under this Section constitutes a purchase money security interest under applicable law.
17. **SETOFF.** Seller may set off any amount due from Buyer, whether or not under this Agreement, against any amount due Buyer hereunder. Buyer may not set off any amount due from Seller, whether or not under this Agreement, against any amount due Seller hereunder without Seller's prior written consent.
18. **CONFIDENTIALITY.** All non-public, confidential or proprietary information of Seller and Seller's affiliates, customers, and suppliers, including without limitation specifications, samples, patterns, designs, plans, drawings, documents, data, business operations, customer lists, pricing, discounts, or rebates disclosed by Seller to Buyer, whether disclosed orally or disclosed or accessed in written, electronic or other form or media, and whether or not marked, designated, or otherwise identified as "confidential," in connection with this Agreement is confidential, solely for the use of performing this Agreement, and may not be disclosed or copied unless authorized by Seller in writing. Upon Seller's request, Buyer shall promptly return all documents and other materials received from Seller. Seller is entitled to injunctive relief for any violation of this Section without the necessity of proving the existence, amount, or insufficiency of damages or posting bond. This Section does not apply to information that is lawfully obtained by Buyer on a non-confidential basis from a third party without confidentiality obligations with regards to such information.
19. **SOLICITATION OF PERSONNEL.** For so long as there is any order for Offerings in effect between Buyer and Seller and for twelve (12) months thereafter, Buyer shall not solicit for employment any employee or contractor of Seller. Seller is not to be restricted from soliciting any employee, contractor, or customer of Buyer.
20. **TERMINATION.** In addition to any remedies that may be provided under these Terms or applicable law, Seller may terminate this Agreement or any Order, in whole or in part, without liability and with immediate effect upon notice to Buyer for any reason or no reason at all, including without limitation if Buyer (a) fails to pay any amount when due under this Agreement, (b) has not otherwise performed or complied with any term of this

Agreement, in whole or in part, or (c) becomes insolvent, files a petition for bankruptcy, or commences or has commenced against it proceedings relating to bankruptcy, receivership, reorganization, or assignment for the benefit of creditors.

21. **SURVIVAL.** The parties' rights and obligations, which by their nature would continue beyond the expiration or termination of this Agreement, including but not limited to those regarding indemnification, compliance with laws, warranties, limitations on liability, confidentiality, and non-solicitation of employees, will survive any termination or expiration of this Agreement.
22. **EXCUSE FROM PERFORMANCE.** Seller shall not be liable for any costs, expenses, or damages of any nature (whether general, consequential, incidental, punitive, liquidated, or otherwise) if performance or delivery of any Offering is rendered impracticable by any accident, breakdown, sabotage, riot, insurrection, war, delay, interruption in or failure of sources or subcontractors to supply materials and equipment, strike, labor or transportation problem, act of God, or other cause or condition, whether of like or different nature, that is beyond Seller's reasonable control, or orders, contracts, priorities, directives, requisitions or requests of the federal or state governments, whether or not voluntarily assumed. If any such event renders Seller's delivery or performance of any Offering impracticable, at Seller's option, (a) the date of delivery or performance shall be extended for a period equal to the time lost by reason of the delay, or (b) Seller will be excused from performance and Buyer shall promptly, upon Seller's request, pay Seller for any Offerings then completed (whether fully or partly completed).
23. **INSURANCE.** During the term of this Agreement, Buyer shall, at its own expense, maintain and carry insurance in full force and effect in amounts and types satisfactory to Seller. Upon Seller's request, Buyer shall provide Seller with a certificate of insurance evidencing Buyer's insurance coverage. Buyer shall provide Seller with thirty (30) days' advance written notice in the event of a cancellation or material change in Buyer's insurance policy. Under no circumstances will Seller be required to provide additional insured status to Buyer nor will Seller's insurer be required to waive subrogation rights against Buyer or Buyer's insurer. Seller will only be required to maintain insurance that is consistent with its own internal policies.
24. **NOTICES.** Any notice relating to this Agreement must be in writing and will be considered given within three (3) days after it is deposited, postage prepaid, with a registered mail service and addressed to the other party at the address given in this Agreement; or, if delivered by hand, when so delivered.
25. **ASSIGNMENT; DELEGATION.** Buyer may not assign, whether voluntarily or involuntarily, by merger, consolidation, dissolution, change of control, or otherwise this Agreement or any of Buyer's rights hereunder nor delegate any of Buyer's obligations under this Agreement without Seller's written consent. Any purported assignment or delegation in violation of this Section will be void. Seller may assign this Agreement and any of Seller's rights hereunder and delegate any of Seller's obligations under this Agreement. If Seller assigns this Agreement or delegates any obligations under this Agreement (whether in whole or in part), Buyer shall, as relates to such part that was assigned or delegated, release Seller from all liability under this Agreement and hold the assignee solely responsible for performance of all such assigned or delegated obligations.
26. **APPLICABLE LAW.** The validity, construction, and enforcement of this Agreement is governed by and interpreted under the laws of the State of Wisconsin, including, without limitation, its provisions of the Uniform Commercial Code. The United Nations Convention on Contracts for the International Sales of Goods (CISG) does not apply to this Agreement. Any controversy or claim arising out of or in connection with this Agreement will be settled by arbitration administered by the American Arbitration Association in accordance with its Commercial Arbitration Rules, and judgment on any award rendered by the arbitrators may be entered in any court having jurisdiction thereof. Any such arbitration will occur in Milwaukee, Wisconsin and will be conducted in the English language. Notwithstanding the foregoing, any claim by Seller for collection of unpaid amounts may be pursued through any available method and in any available venue without first proceeding to arbitration pursuant to this Section, including without limitation through litigation in the State or Federal courts located in the State of Wisconsin, and Buyer hereby irrevocably submits to the personal jurisdiction of such courts. Buyer shall pay Seller any collection fees and all attorneys' fees incurred by Seller in enforcing this Agreement or defending against any claim for breach of this Agreement.
27. **AMENDMENT; WAIVER.** No amendment or modification of any term or condition will be valid or binding upon Seller unless approved by Seller in a writing hand-signed by Seller. Unless Seller expressly indicates otherwise in such hand-signed writing, such modification is effective only in that instance and only for the purpose for which it is made and is not to be construed as a modification on any future occasion or of any future order or agreement. Clerical and stenographic errors are subject to correction by Seller. No waiver by Seller of any of the terms of this Agreement is effective unless explicitly set forth in a writing signed by Seller. The failure of Seller to insist upon a strict performance of any term of this Agreement will not be considered as a continuing waiver of any such term or condition, or any other term or condition, or any of Seller's rights. No failure to exercise, or delay in exercising, any right, remedy, power, or privilege arising from this Agreement operates, or may be construed, as a waiver thereof. No single or partial exercise of any right, remedy, power, or privilege hereunder precludes any other or further exercise thereof or the exercise of any other right, remedy, power, or privilege.
28. **SEVERABILITY.** If any term of this Agreement is held by a court of competent jurisdiction to be invalid, illegal, or unenforceable, such determination will not affect the remainder of this Agreement, which will remain in full force and effect.
29. **INDEPENDENT CONTRACTORS.** The relationship between the parties is that of independent contractors. Nothing contained in this Agreement may be construed as creating any agency, partnership, joint venture, or other form of joint enterprise, employment, or fiduciary relationship between the parties. No party has the authority to contract for or bind the other party in any manner whatsoever.
30. **NO THIRD-PARTY BENEFICIARIES.** This Agreement is for the sole benefit of the parties hereto and their respective successors and permitted assigns, and nothing herein, express or implied, is intended to or will confer upon any other person or entity any legal or equitable right, benefit, or remedy of any nature whatsoever under or by reason of this Agreement.



FIND A PERLICK REP

To find your local Perlick rep or dealer scan this code, or go to perlick.com/findadealer



PERBAR
INNERS
Perlick

R. PERLICK BRASS COMPANY

BREWERS AND
BOTTLE SUPPLIES

PERLICK
PRODUCTS
PLEASE

AUTOMOBILE MANHOODS
BATTERY TERMINALS

MILWAUKEE, WIS.

MAKE A LASTING IMPRESSION

Perlick has decades of experience when it comes to laying out custom bars. Let us help you with your next project. We'll create a bar package and layout that is sure to maximize productivity and return on investment.

**GO AHEAD. BUILD SOMETHING MEMORABLE.
WE'LL HELP YOU DO IT.**

A friendly message from The Perlick Folk



8300 West Good Hope Road, Milwaukee, WI 53223
800.558.5592 | info@perlick.com | perlick.com